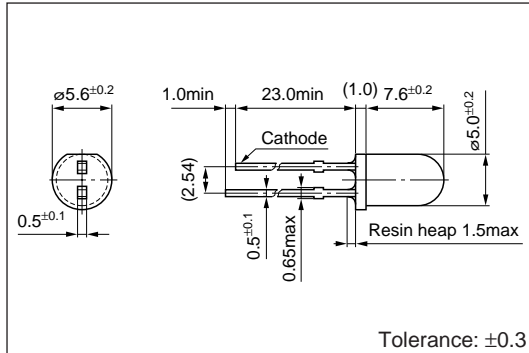


5 ϕ Round Standard LED

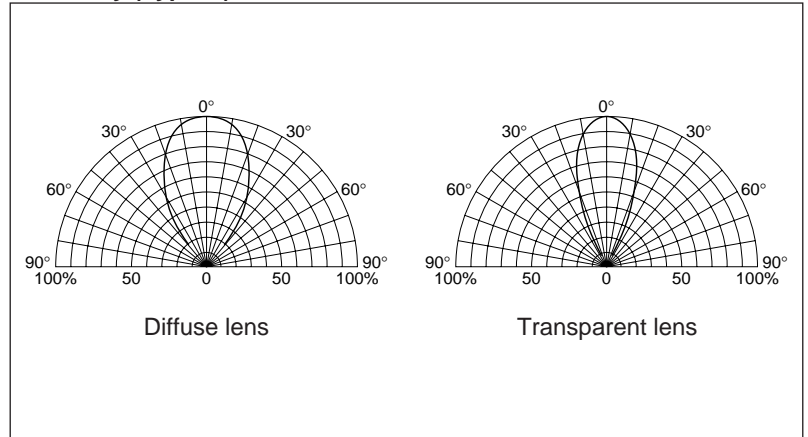
SEL1010M Series

External Dimensions

(Unit: mm)



Directivity (Typical)



Absolute maximum ratings (Ta=25°C)

Symbol	Unit	Rating	Condition
I_F	mA	30	
ΔI_F	mA/°C	-0.45	Above 25°C
I_{FP}	mA	100	f=1kHz, tw \leq 100 μ s
V_R	V	3	
Top	°C	-30 to +85	
Tstg	°C	-30 to +100	

Electrical Optical characteristics (Ta=25°C)

Emitting color	Part Number	Lens color	Forward voltage		Reverse current		Intensity		Peak wavelength		Spectrum half width		Chip material		
			V_F		I_R	Condition	I_V	Condition	λ_P	Condition	$\Delta\lambda$	Condition			
			typ	max										(V)	(mA)
Red	SEL1210RM	Diffused red	1.9	2.5	10	50	3	36	20	630	10	35	10	GaAsP	
	SEL1210SM	Transparent red						75							
Amber	SEL1810DM	Diffused orange	1.9	2.5	10	50	3	18	10	610	10	35	10		
	SEL1810AM	Transparent orange						37							
Orange	SEL1910DM	Diffused orange	1.9	2.5	10	50	3	19	10	587	10	33	10		
	SEL1910AM	Transparent orange						34							
Yellow	SEL1710KM	Transparent yellow	2.0	2.5	10	50	3	65	10	570	10	30	10		
Green	SEL1410GM	Diffused green	2.0	2.5	10	50	3	30	20	560	10	20	10		GaP
	SEL1410EM	Transparent green						84							
Pure green	SEL1510CM	Clear	2.0	2.5	10	50	3	50	20	555	10	20	10		