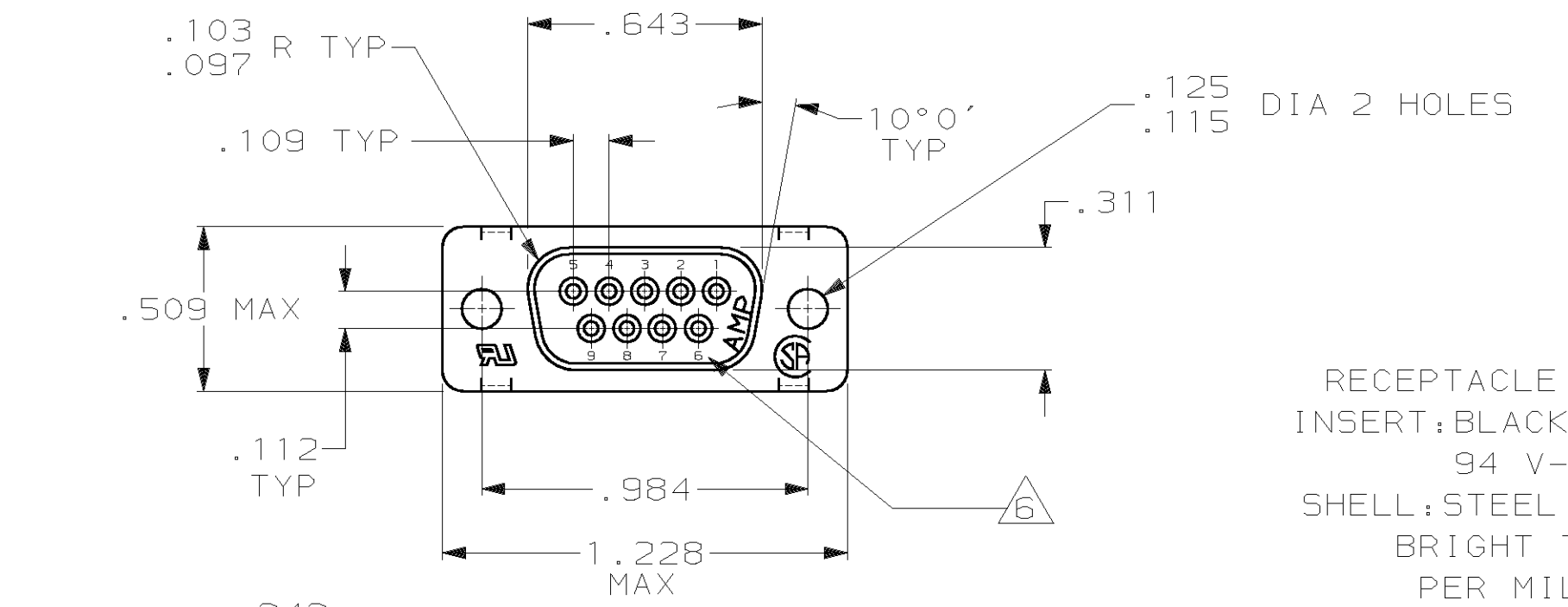
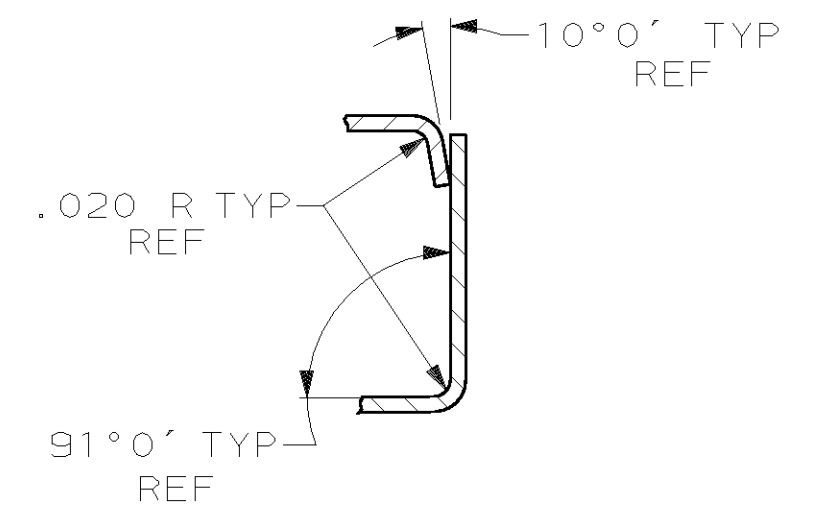


THIS DRAWING IS UNPUBLISHED. RELEASED FOR PUBLICATION ,19 .
 © COPYRIGHT 19 BY AMP INCORPORATED. ALL INTERNATIONAL RIGHTS RESERVED.

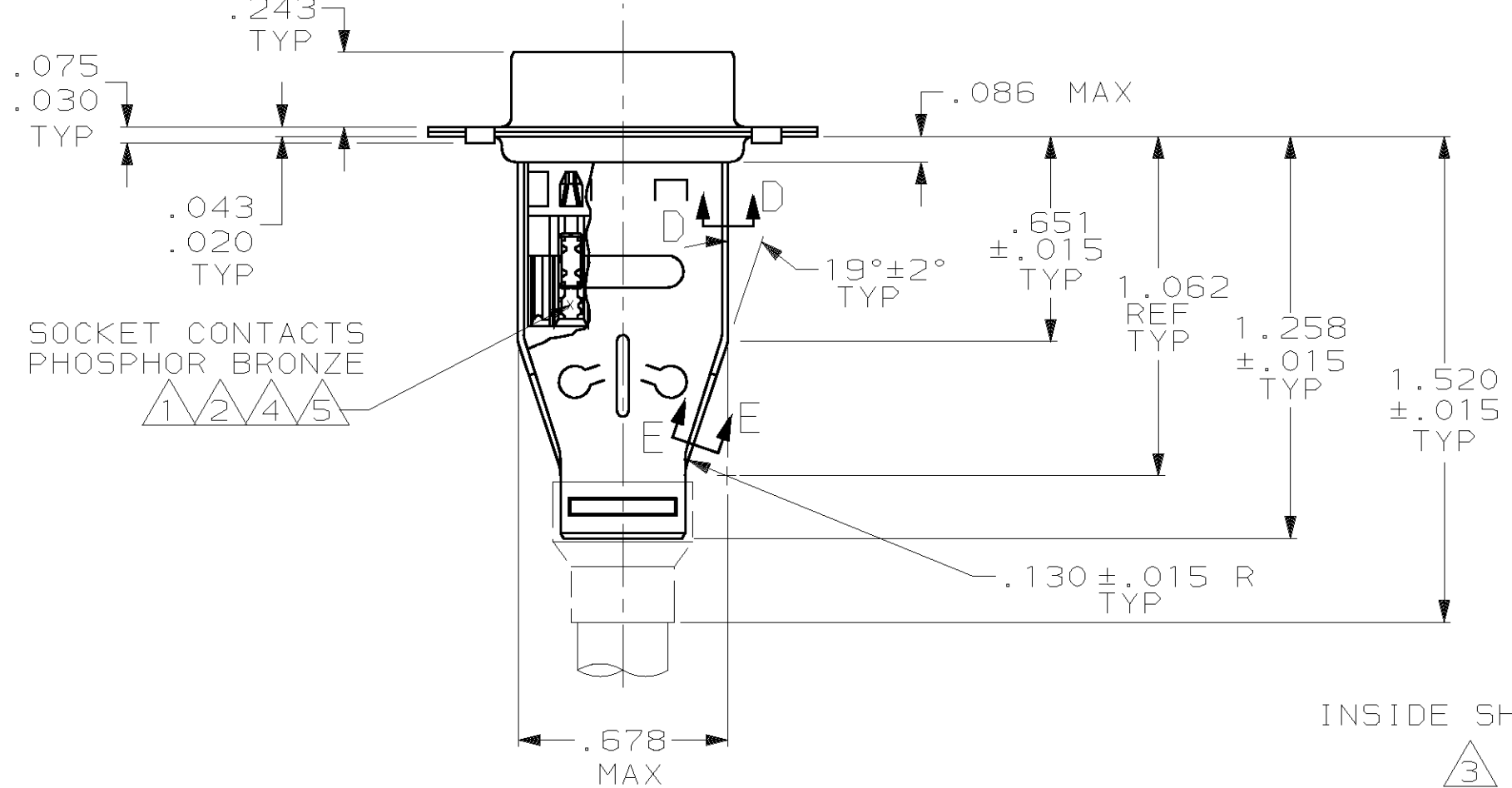
LOC		DIST		P		F		ZONE		LTR		REVISIONS				
GP		00										DESCRIPTION	DATE	APPD		
												D	REV PER EC	001D-0220-00	10/08/01	JR



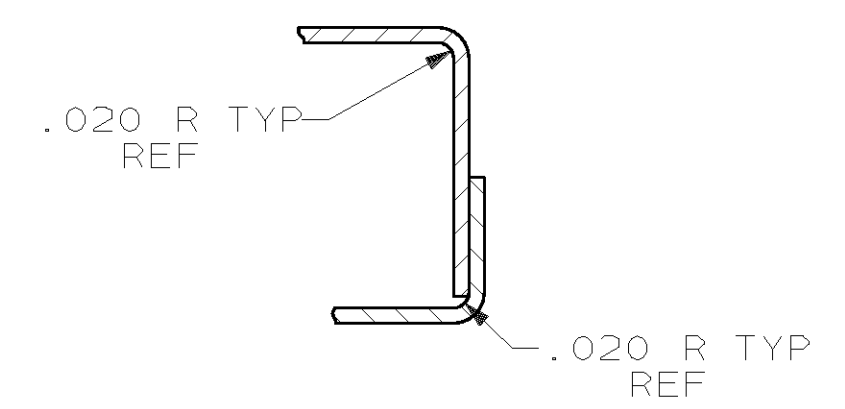
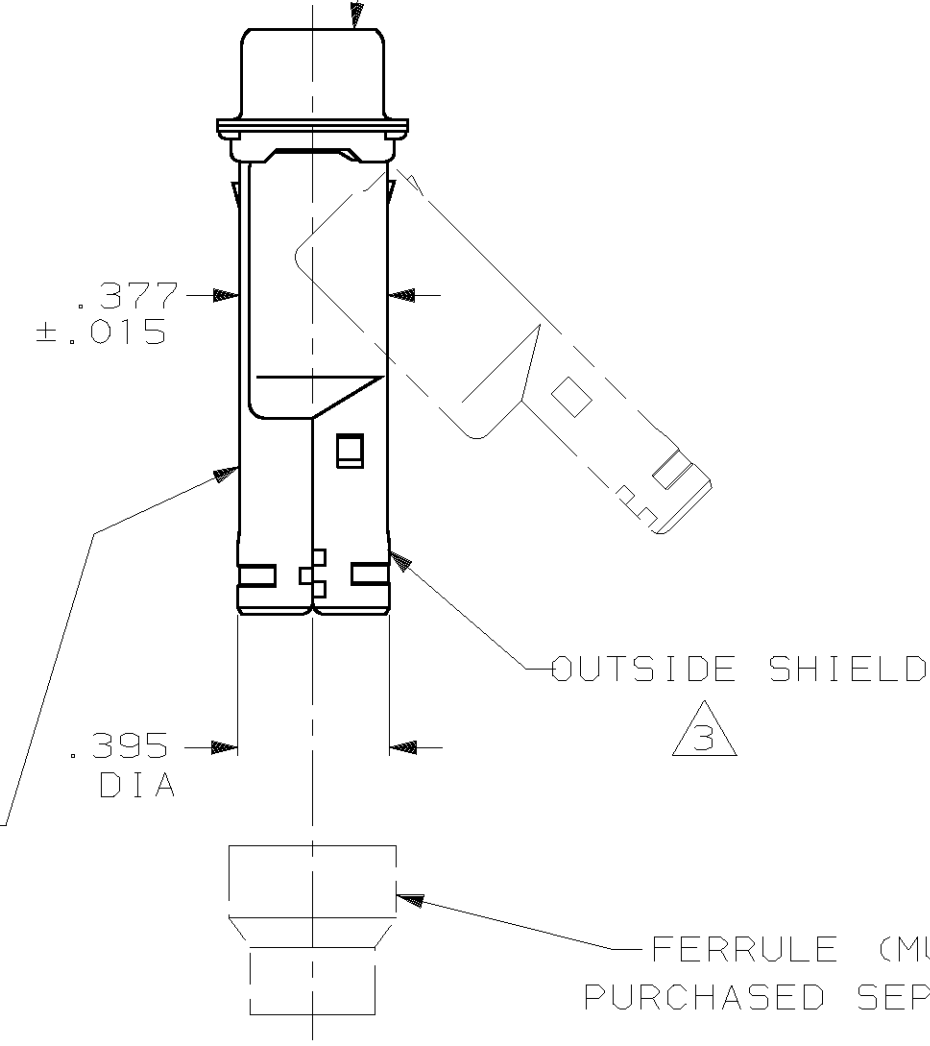
RECEPTACLE CONNECTOR ¹
 INSERT: BLACK THERMOPLASTIC
 94 V-0 RATED
 SHELL: STEEL PER ASTM A109
 BRIGHT TIN PLATED
 PER MIL-T-10727



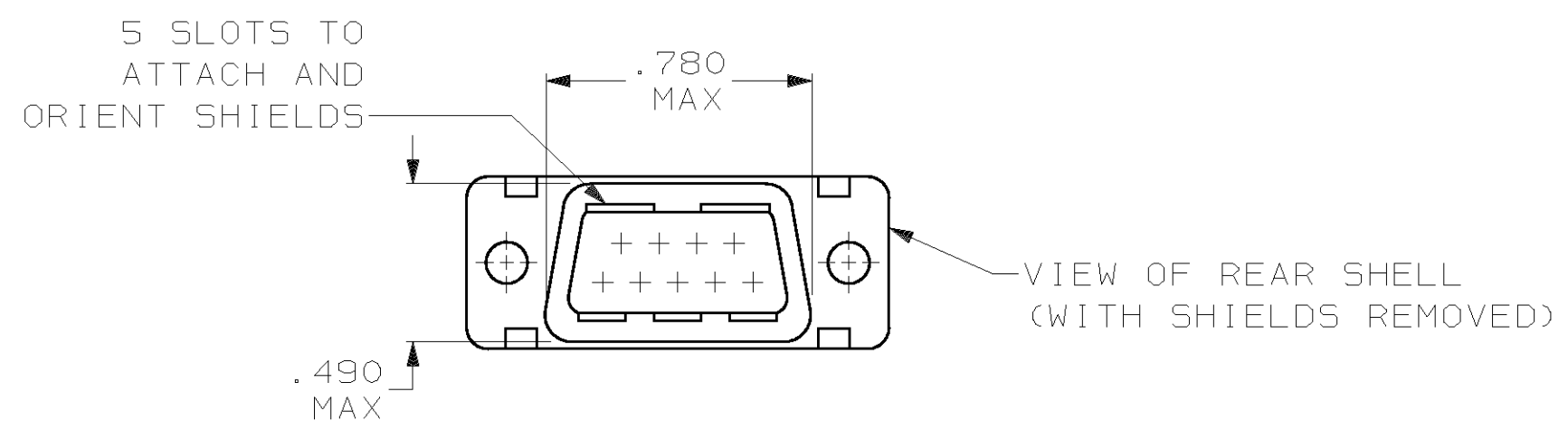
SECTION D-D



SOCKET CONTACTS
 PHOSPHOR BRONZE



SECTION E-E



- ¹ RECEPTACLE CONNECTOR FULLY LOADED WITH CONTACTS. ALL OTHER PARTS SHIPPED UNASSEMBLED (EACH PART INDIVIDUALLY BULK PACKED).
- ² NUMBER ON CONTACT INDICATES WIRE RANGE.
- ³ SHIELDS: MATERIAL-.020 THICK STEEL, TIN PLATED.
- ⁴ CONTACTS PLATED .000030 GOLD ON MATING END FOR .100 MIN LENGTH. .000100-.000200 BRIGHT TIN OR BRIGHT TIN-LEAD IN WIRE TERMINATION AREA. .000050 NICKEL UNDERPLATE ON ENTIRE CONTACT.
- ⁵ CONTACTS PLATED WITH GOLD FLASH ON MATING END FOR .100 MIN LENGTH. .000100-.000200 BRIGHT TIN OR BRIGHT TIN-LEAD IN WIRE TERMINATION AREA. .000030 NICKEL UNDERPLATE ON ENTIRE CONTACT.
- ⁶ RAISED CAVITY IDENTIFICATION AND AMP TRADEMARK.

CONTACT FINISH	WIRE RANGE	PART NUMBER
OBSOLETE	⁵	3 #20-22 747516-6
		2 #22-26 747516-5
OBSOLETE	⁴	1 #26-30 747516-4
		3 #20-22 747516-3
SUPERSEDED BY 747943-1	⁴	2 #22-26 747516-2
		1 #26-30 747516-1

DO NOT SCALE PRINT. UNLESS SPECIFIED DIMENSIONS IN INCHES TOLERANCES ON : 2 PLC DEC ± - 3 PLC DEC ± .005 ANGLES ± 0°30'	DR 5/21/90 A.STAUB BG CHK 8-31-90 J.McCLINTON APPD 9-4-90 B.TAYLOR APPD 9-4-90 J.ASSINI	AMP AMP INCORPORATED Harrisburg, Pa. 17105	
MATERIAL SEE CALL OUT	PRODUCT SPEC -	NAME KIT, RCPT, SHIELDING HARDWARE, SIZE 1, 9 POSN, HDE-20, AMPLIMITM™	
FINISH SEE CALL OUT AND NOTES	APPLICATION SPEC -	SIZE C	FSCM NO 00779
	WEIGHT -	SCALE 2:1	DRAWING NO 747516
			SHEET 1 OF 1