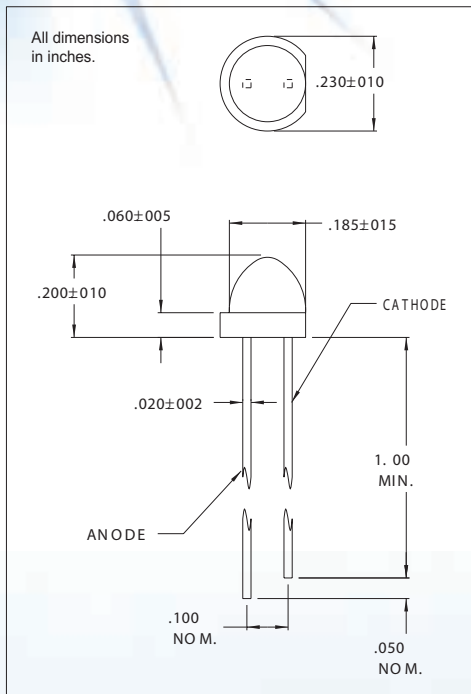


T-1 3/4 Low Profile LED Lamps

DESCRIPTION AND FEATURES



These low profile T-1 3/4 lamps are available in a variety of color and lens effects providing a versatile package for many applications.

ELECTRO-OPTICAL CHARACTERISTICS AND RATINGS

| PART NUMBER | CMD50152 | CMD50154 | CMD53152 | CMD53154 | CMD54152 | CMD54154 | CMD57152 | CMD57154 |
|---|--------------|-------------|--------------|-------------|--------------|-------------|--------------|-------------|
| Output Color | Red | Red | Yellow | Yellow | H.E.Green | H.E.Green | H.E.Red | H.E.Red |
| Diffusion | Non-Diffused | Diffused | Non-Diffused | Diffused | Non-Diffused | Diffused | Non-Diffused | Diffused |
| Package Color | Red | Red | Yellow | Yellow | Green | Green | Orange | Orange |
| Test Current (mA) | 10 | 10 | 10 | 10 | 10 | 10 | 10 | 10 |
| Forward Voltage Typ.(V) | 1.6 | 1.6 | 2.1 | 2.1 | 2.2 | 2.2 | 2.0 | 2.0 |
| Forward Voltage Max.(V) | 2.0 | 2.0 | 3.0 | 3.0 | 3.0 | 3.0 | 3.0 | 3.0 |
| Luminous Intensity Min.(mcd) | 0.6 | 0.4 | 3.0 | 1.5 | 2.5 | 2.0 | 4.0 | 2.0 |
| Luminous Intensity Typ.(mcd) | 2.0 | 1.5 | 10 | 8.0 | 15 | 12 | 10 | 8.0 |
| Luminous Intensity Max.(mcd) | - | - | - | - | - | - | - | - |
| Peak Wavelength(nm) | 660 | 660 | 585 | 585 | 565 | 565 | 630 | 630 |
| Viewing Angle 20 1/2 (degrees) | 45 | 50 | 45 | 50 | 45 | 50 | 45 | 50 |
| Power Dissipation (mW) | 180 | 180 | 105 | 105 | 105 | 105 | 105 | 105 |
| Operating Temperature (C°) | -55 to +100 | -55 to +100 | -55 to +100 | -55 to +100 | -55 to +100 | -55 to +100 | -55 to +100 | -55 to +100 |
| Storage Temperature (C°) | -55 to +100 | -55 to +100 | -55 to +100 | -55 to +100 | -55 to +100 | -55 to +100 | -55 to +100 | -55 to +100 |
| Peak Forward Current Max.(1µs @0.3% duty cycle)(mA) | 100 | 100 | 100 | 100 | 90 | 90 | 100 | 100 |
| Reverse Voltage (IR=100µA) (V) | 5 | 5 | 5 | 5 | 5 | 5 | 5 | 5 |
| Lead Solder Time @ 260°C | 5 | 5 | 5 | 5 | 5 | 5 | 5 | 5 |