

GPS PROCESSOR

FEATURES

- Application specific features
 - 12 channel GPS correlation DSP hardware, ST20 CPU (for control and position calculations) and memory on one chip
 - no TCXO required
 - RTCA-SC159 / WAAS / EGNOS supported
- GPS performance
 - accuracy
 - stand alone with SA on <100m, SA off <30m
 - differential <1m
 - surveying <1cm
 - time to first fix
 - autonomous start 90s
 - cold start 45s
 - warm start 7s
 - obscuration 1s
- Enhanced 32-bit VL-RISC CPU - C2 core
 - 16/33/50 MHz processor clock
 - 25 MIPS at 33 MHz
 - fast integer/bit operations
- 64 Kbytes on-chip SRAM
- 128 Kbytes on-chip ROM
- Programmable memory interface
 - 4 separately configurable regions
 - 8/16-bits wide
 - support for mixed memory
 - 2 cycle external access
- Programmable UART (ASC)
- Parallel I/O
- Vectored interrupt subsystem
- Diagnostic control unit
- Power management
 - low power operation
 - power down modes
- Professional toolset support
 - ANSI C compiler/link driver and libraries
 - Debugging/profiling and simulation tools
- Technology
 - Static clocked 50 MHz design
 - 3.3 V, sub micron technology
- 100 pin PQFP package
- JTAG Test Access Port

Figure 1. Package

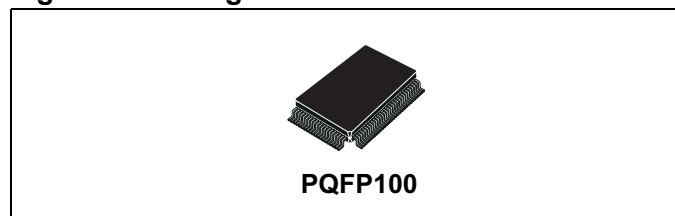
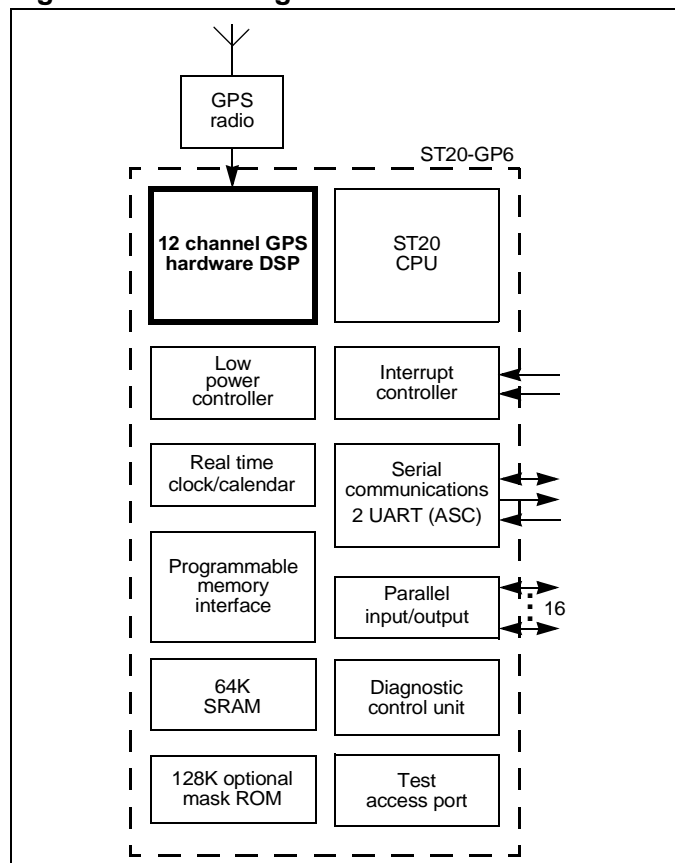


Table 1. Order Codes

Part Number	Package
ST20GP6X33S	PQFP100

Figure 2. Block Diagram



APPLICATIONS

- Global Positioning System (GPS) receivers
- Car navigation systems
- Fleet management systems
- Time reference for telecom systems

Contents

1	Introduction	5
2	ST20-GP6 architecture overview	7
3	Digital signal processing module	11
3.1	DSP module registers	13
4	Central processing unit	19
4.1	Registers	19
4.2	Processes and concurrency	20
4.3	Priority	22
4.4	Process communications	23
4.5	Timers	23
4.6	Traps and exceptions	24
5	Interrupt controller	30
5.1	Interrupt vector table	31
5.2	Interrupt handlers	31
5.3	Interrupt latency	32
5.4	Preemption and interrupt priority	32
5.5	Restrictions on interrupt handlers	33
5.6	Interrupt configuration registers	33
6	Interrupt level controller	37
6.1	Interrupt assignments	37
6.2	Interrupt level controller registers	37
7	Instruction set	40
7.1	Instruction cycles	40
7.2	Instruction characteristics	41
7.3	Instruction set tables	42
8	Memory map	51
8.1	System memory use	51
8.2	Boot ROM	52
8.3	Internal peripheral space	52
9	Memory subsystem	55
9.1	SRAM	55
9.2	ROM	55

10	Programmable memory interface	56
10.1	EMI signal descriptions	58
10.2	External accesses	59
10.3	MemWait	60
10.4	EMI configuration registers	62
10.5	Boot source	65
10.6	Default configuration	65
11	Low power controller	66
11.1	Low power control	66
11.2	Low power configuration registers	67
12	Real time clock and watchdog timer	70
12.1	Power supplies	70
12.2	Real time clock	70
12.3	Watchdog timer	70
12.4	RTC/WDT configuration registers	71
13	System services	73
13.1	Reset, initialization and debug	73
13.2	Bootstrap	73
13.3	Clocks	73
14	Diagnostic controller	75
14.1	Diagnostic hardware	75
14.2	Access features	76
14.3	Software debugging features	77
14.4	Controlling the diagnostic controller	79
14.5	Peeking and poking the host from the target	80
14.6	Abortable instructions	80
15	UART interface (ASC)	82
15.1	Functionality	82
15.2	Timeout mechanism	85
15.3	Baud rate generation	85
15.4	Interrupt control	86
15.5	ASC configuration registers	88
16	Parallel input/output	94
16.1	PIO Ports0-1	94
17	Configuration register addresses	96

18 Electrical specifications 102

19 GPS Performance 106

 19.1 Accuracy 106

 19.2 Time to first fix 107

20 Timing specifications 108

 20.1 EMI timings 108

 20.2 Reset timings 110

 20.3 PIO timings 111

 20.4 ClockIn timings 112

 20.5 JTAG IEEE 1149.1 timings 113

21 Pin list 114

22 Package specifications 116

 22.1 ST20-GP6 package pinout 116

 22.2 100 pin PQFP package dimensions 119

23 Test access port 121

24 Device ID 122

25 Revision History 122

1 Introduction

The ST20-GP6 is an application-specific single chip micro using the ST20 CPU with microprocessor style peripherals added on-chip. It incorporates DSP hardware for processing the signals from GPS (Global Positioning System) satellites.

The twelve channel GPS correlation DSP hardware is designed to handle twelve satellites, two of which can be initialized to support the RTCA-SC159 specification for WAAS (Wide Area Augmentation Service) and EGNOS (European Geostationary Navigation Overlay System) services.

The ST20-GP6 has been designed to minimize system costs and reduce the complexity of GPS systems. It offers all hardware DSP and microprocessor functions on one chip and provides sufficient on-chip RAM and ROM. The entire analogue section, RF and clock generation are available on a companion chip. Thus, a complete GPS system is possible using just two chips, see Figure 1.1.

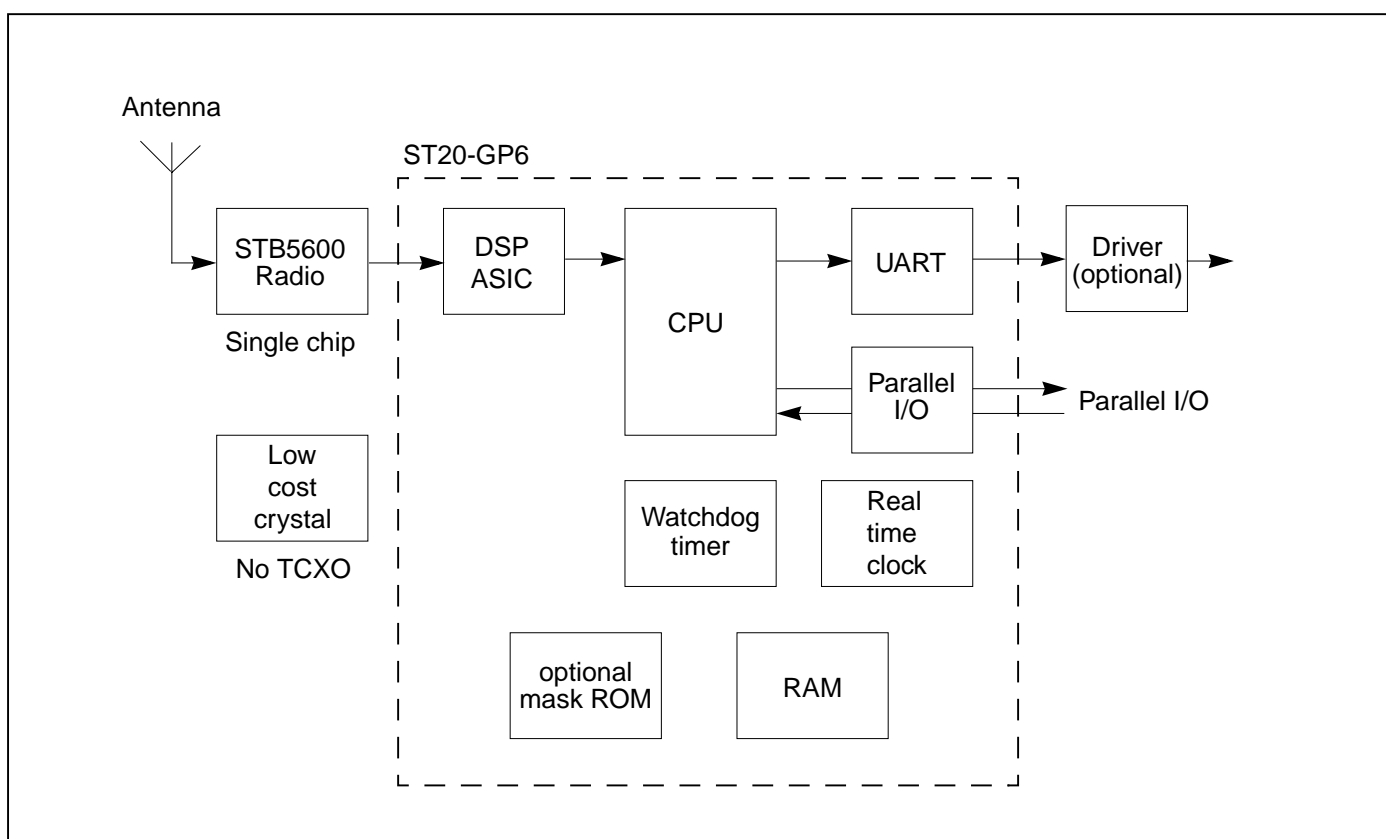


Figure 1.1 GPS system

The ST20-GP6 supports large values of frequency offset, allowing the use of a very low cost oscillator, thus saving the cost of a Temperature Controlled Crystal Oscillator (TCXO).

The CPU and software have access to the part-processed signal to enable accelerated acquisition time.

The ST20-GP6 can implement the GPS digital signal processing algorithms using less than 50% of the available CPU processing power. This leaves the rest available for integrating OEM application functions such as route-finding, map display and telemetry. A hardware microkernel in the ST20 CPU supports the sharing of CPU time between tasks without an operating system or executive overhead.

The architecture is based on the ST20 CPU core and supporting macrocells developed by STMicroelectronics. The ST20 micro-core family provides the tools and building blocks to enable the development of highly integrated application specific 32-bit devices at the lowest cost and fastest time to market. The ST20 macrocell library includes the ST20Cx family of 32-bit VL-RISC (variable length reduced instruction set computer) micro-cores, embedded memories, standard peripherals, I/O, controllers and ASICs.

The ST20-GP6 uses the ST20 macrocell library to provide the hardware modules required in a GPS system. These include:

- DSP hardware
- Dual channel UART for serial communications
- Two parallel I/O modules providing 16 bits of parallel I/O
- Interrupt controller
- Real time clock/calendar and watchdog timer
- 128 Kbytes of on-chip ROM for application code
- 64 Kbytes of on-chip RAM, of which 16 Kbytes is battery backed
- Diagnostic control unit and test access port for development support

The ST20-GP6 is supported by a range of software and hardware development tools for PC and UNIX hosts including an ANSI-C ST20 software toolset and the ST20 INQUEST window based debugging toolkit.

2 ST20-GP6 architecture overview

The ST20-GP6 consists of an ST20 CPU plus application specific DSP hardware for handling GPS signals, plus a dual channel UART, ROM and RAM memory, parallel IO, real time clock and watchdog functions.

Figure 2.1 shows the subsystem modules that comprise the ST20-GP6. These modules are outlined below and more detailed information is given in the following chapters.

DSP

The ST20-GP6 includes DSP hardware for processing signals from the GPS satellites. The DSP module generates the pseudo-random noise (prn) signals, and de-spreads the incoming signal.

It consists of a down conversion stage that takes the 4 MHz input signal down to nominally zero frequency both in-phase and quadrature (I & Q). This is followed by 12 parallel hardware channels for satellite tracking, whose output is passed to the CPU for further software processing at a programmable interval, nominally every millisecond.

CPU

The Central Processing Unit (CPU) on the ST20-GP6 is the ST20 32-bit processor core. It contains instruction processing logic, instruction and data pointers, and an operand register. It directly accesses the high speed on-chip memory, which can store data or programs. The processor can access up to 4 Mbytes of memory via the programmable memory interface.

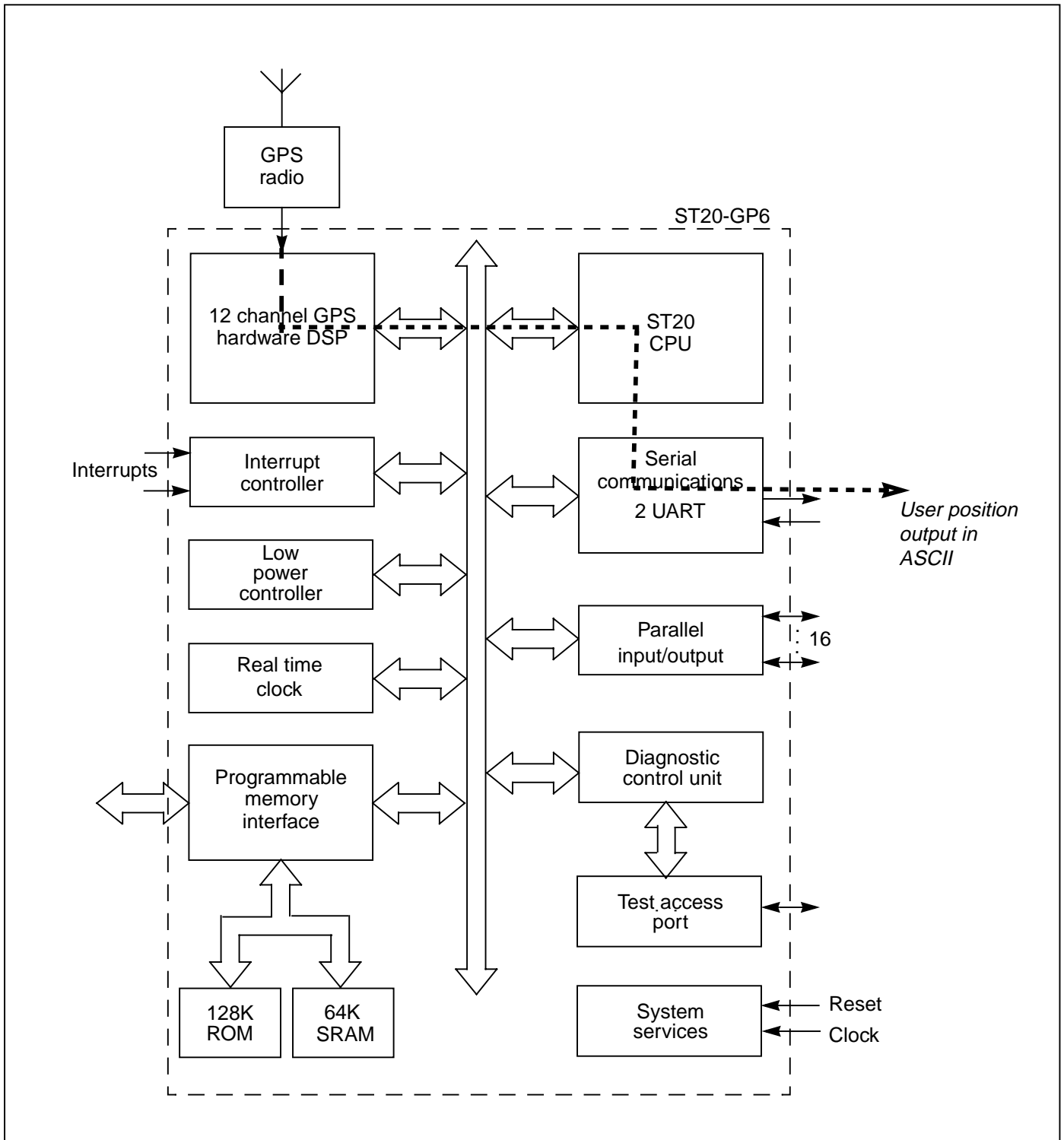


Figure 2.1 ST20-GP6 architectural block diagram

Memory subsystem

The ST20-GP6 on-chip memory system provides 60 Mbytes/s internal data bandwidth, supporting pipelined 2-cycle internal memory access at 30 ns cycle times. The ST20-GP6 memory system consists of SRAM, ROM and a programmable external memory interface (EMI).

The ST20-GP6 can use 8 or 16-bit external RAM, 8 or 16-bit external ROM, and has a 20-bit address bus.

The ST20-GP6 product has 64 Kbytes of on-chip SRAM. This is in 4 banks of 16 Kbytes. One of these banks is powered from the back-up battery supply. The ST20-GP6 has 128 Kbytes of ROM for application code.

The ST20-GP6 memory interface controls the movement of data between the ST20-GP6 and off-chip memory. It is designed to support memory subsystems without any external support logic and is programmable to support a wide range of memory types. Memory is divided into 4 banks which can each have different memory characteristics and each bank can access up to 1 Mbyte of external memory.

The normal memory provision in a simple GPS receiver is a single 64K x 16-bit ROM or Flash ROM (70, 90 or 100 ns access time). The internal 64 Kbyte RAM is sufficient for application use, however for development purposes external RAM may be added. The ST20-GP6 can support up to 1 Mbyte of SRAM plus 1 Mbyte of ROM, enabling additional functions to be added if required.

Low power controller, real time clock and watchdog timer

The ST20-GP6 has power-down capabilities configurable in software. When powered down, a timer can be used as an alarm, re-activating the CPU after a programmed delay. This is suitable for ultra low power or solar powered applications such as container tracking, railway truck tracking, or marine navigation buoys that must check they are on station at intervals.

There is also a watchdog timer (WDT), resetting the system if it times out. The watchdog timer function is enabled by an external pin (**WdEnable**). The WDT has a counter, clocked to give a nominal 2 second delay. A status flag (**notWdReset**) is set by a watchdog reset. This can be used to indicate to application code that the system was reset by the watchdog timer.

The real time clock (RTC) provides a set of continuously running counters to provide a clock-calendar function. The counter values can be written to set the current time/data. The RTC is clocked by a 32,768 Hz crystal oscillator and has a separate power supply so that it can continue to run when the rest of the chip is powered down.

The RTC contains two counters: a 30-bit 'milliseconds' counter and a 16-bit 'weeks' counter. This allows large time values to be represented to high accuracy. Note that the milliseconds counter is actually clocked at 1.024 KHz and this must be handled by software.

The ST20-GP6 is designed for 0.35 micron, 3.3 V CMOS technology and runs at speeds of up to 50 MHz. 3.3 V operation provides reduced power consumption internally and allows the use of low power peripherals. In addition, a power-down mode is available on the ST20-GP6.

The different power levels of the ST20-GP6 are listed below.

- Operating power — power consumed during functional operation.
- Stand-by power — power consumed during little or no activity. The CPU is idle but ready to immediately respond to an interrupt/reschedule.
- Power-down — clocks are stopped and power consumption is significantly reduced. Functional operation is stalled. Normal functional operation can be resumed from previous state as soon as the clocks are stable. No information is lost during power down as all internal logic is static.

- Power to most of the chip removed — only the real time clock supply (**RTCVDD**) power on.

In power-down mode the processor and all peripherals are stopped, including the external memory controller and optionally the PLL. Effectively the internal clock is stopped and functional operation is stalled. On restart the clock is restarted and the chip resumes normal functional operation.

Serial communications

The ST20-GP6 has two UARTs (Asynchronous Serial Controllers (ASCs)) for serial communication. The UARTs provide an asynchronous serial interface and can be programmed to support a range of baud rates and data formats, for example, data size, stop bits and parity.

Interrupt subsystem

The ST20-GP6 interrupt subsystem supports eight prioritized interrupts. Four interrupts are connected to on-chip peripherals (2 for the UARTs, 2 for the programmable IO), two are available as external interrupt pins and two are spare.

Each interrupt level has a higher priority than the previous and each level supports only one software handler process.

Note that interrupt handlers must not prevent the GPS DSP data traffic from being handled. During continuous operation this has 1 ms latency and is not a problem, but during initial acquisition it has a 32 μ s rate and thus all interrupts must be disabled except if used to stop GPS operation.

Parallel IO module

Sixteen bits of parallel IO are provided. Each bit is programmable as an output or an input. Edge detection logic is provided which can generate an interrupt on any change of an input bit.

JTAG Test Access Port

The Test Access Port (TAP) supports the IEEE 1149.1 JTAG test standard.

Diagnostic controller

The diagnostic controller is a programmable module which connects directly into the CPU. It can be accessed by the TAP. This allows debugging systems to be used which do not affect CPU performance or intrude into application code. Debugging support includes:

- hardware breakpoint and watchpoint
- real time trace
- external LSA triggering support

It is also used to provide system services, including booting the CPU.

System services module

The ST20-GP6 system services module includes:

- reset and initialization port.
- phase locked loop (PLL) — accepts 16.368 MHz input and generates all the internal high frequency clocks needed for the CPU.

3 Digital signal processing module

The ST20-GP6 chip includes 12 channel GPS correlation DSP hardware. It is designed to handle twelve satellites, two of which can be initialized to support the RTCA-SC159 specification.

The digital signal processing (DSP) module extracts GPS data from the incoming IF (Intermediate Frequency) data. There are a number of stages of processing involved; these are summarized below and in Figure 3.1. After the 12 pairs of hardware correlators, the data for all channels are time division multiplexed onto the appropriate internal buses (i.e. values for each channel are passed in sequence, for example: $I_1, Q_1, I_2, Q_2 \dots I_{12}, Q_{12}, I_1, Q_1$).

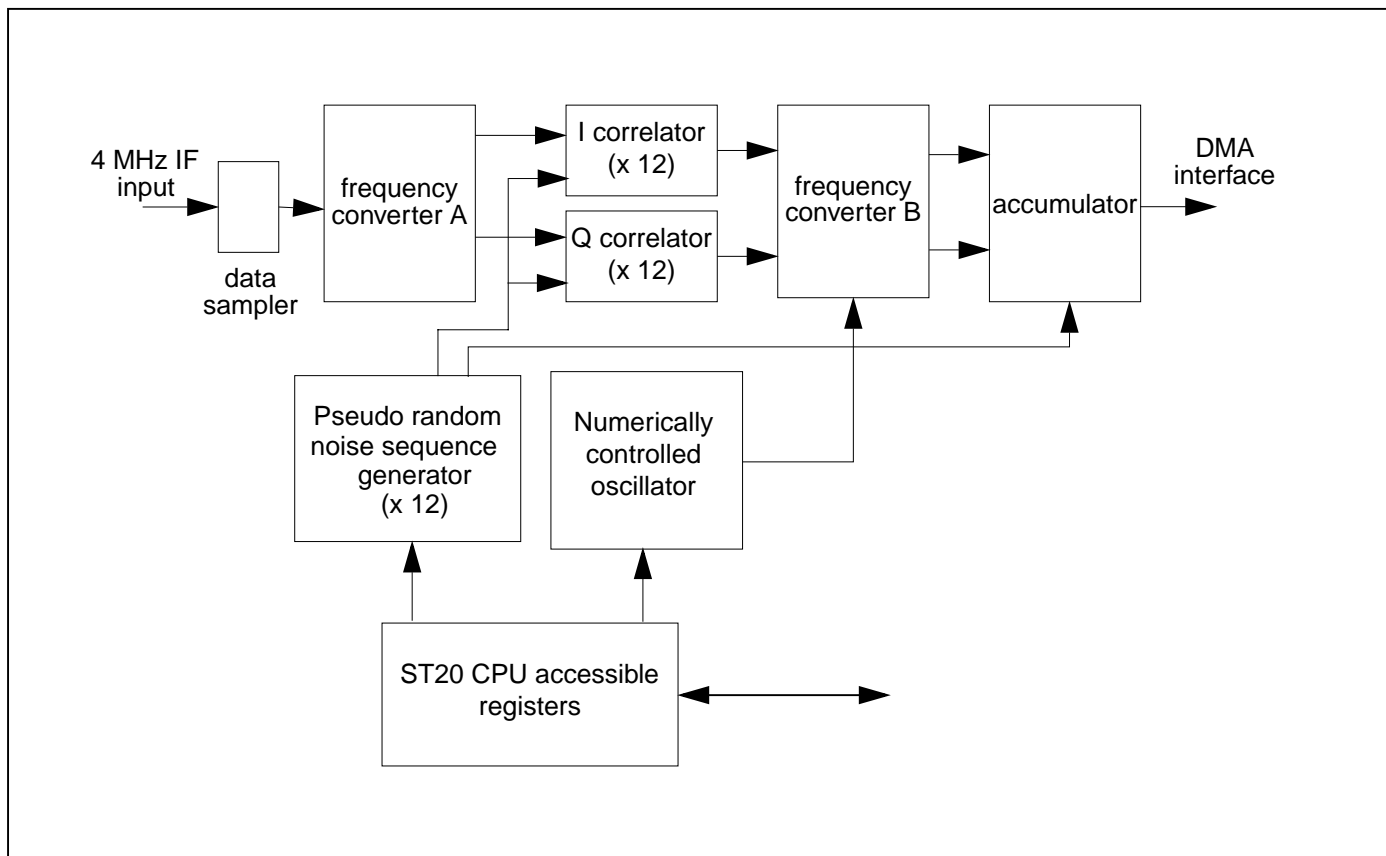


Figure 3.1 DSP module block diagram

The main stages of processing are as follows:

Data sampling

This stage removes any meta-stability caused by the asynchronous input data coming from an analogue source (the radio receiver). The data at this point consists of a carrier of nominally 4.092 MHz with a bandwidth of approximately ± 1 MHz.

This stage is common to all 12 channels.

Frequency conversion (A)

The first frequency converter mixes the sampled IF data with the (nominal) 4.092 MHz signal. This is done twice with a quarter cycle offset to produce I and Q (In-phase and Quadrature) versions of the data at nominal zero centre frequency (this can actually be up to ± 132 KHz due to errors such as doppler shift, crystal accuracy, etc.). The sum frequency (~ 8 MHz) is removed by low-pass filtering in the correlator.

This stage is common to all 12 channels.

Correlation against pseudo-random sequence

The GPS data is transmitted as a spread-spectrum signal (with a bandwidth of about 2 MHz). In order to recover the data it is necessary to correlate against the same Pseudo-Random Noise (PRN) signal that was used to transmit the data. The output of the correlator accumulator is sampled at 264 KHz. The PRN sequences come from the PRN generator.

There is a correlator for the I and Q signals for each of the 12 channels. The output signal is now narrowband.

Frequency conversion (B)

The second stage of frequency conversion mixes the data with the local oscillator signal generated by the Numerically Controlled Oscillator (NCO). This signal is locked, under software control, to the Space Vehicle (SV) frequency and phase to remove the errors and take the frequency and bandwidth of the data down to 0 and ± 50 Hz respectively. Filtering to 500 Hz is achieved in hardware, to 50 Hz in software.

This stage is shared by time division multiplexing between all 12 channels. This is loss-free as the stage supports 12 channels x 264 KHz, approximately 3 MHz, well within its 16 MHz clock rate.

Result integration

The final stage sums the I and Q values for each channel over a user defined period. In normal operation, the sampling period is slightly less than the 1ms length of the PRN sequence. This ensures that no data is lost, although it may mean that some data samples are seen twice — this is handled (mainly) in software.

The sampling period can also be programmed to be much shorter (i.e. a higher cut-off frequency for the filter) when the system is trying to find new satellites ('acquisition mode').

There are two further stages of buffering for the accumulated 16-bit I and Q values for each channel. These allow for the slightly different time domains involved¹.

The results after hardware processing of the signal, using the parameters set in the DSP registers, refer to Section 3.1, are delivered to the CPU via a DMA engine in packet format. The CPU should perform an *in* (input) instruction on the appropriate channel (see address map, Figure 8.1 on page 53) in order to read a packet.

The format of the 62-byte packets is given in Figure 3.2. These represent a two byte header, followed by the 16-bit I-values for 12 channels, then the 16-bit Q-values for 12 channels, then the 8-bit timestamp values for the 12 channels. The I and Q values are sent least significant byte first. The 2

1. Data sampled in SV time, data transmitted to the CPU at fixed intervals.

byte header contains: a 'sync' byte with the value #1B, and a 'sample rate' byte which contains the two **SampleRate** bits from the **DSPControl** register, see Table 3.1.

Packets are delivered at the rate selected by the **DSPControl** register, even if new data is not available. In this case, the data value for the field is set to #8000. This guarantees that synchronism is maintained between the satellite one-millisecond epochs and the receiver, despite time-of-reception variations due to the varying path length from the satellite.

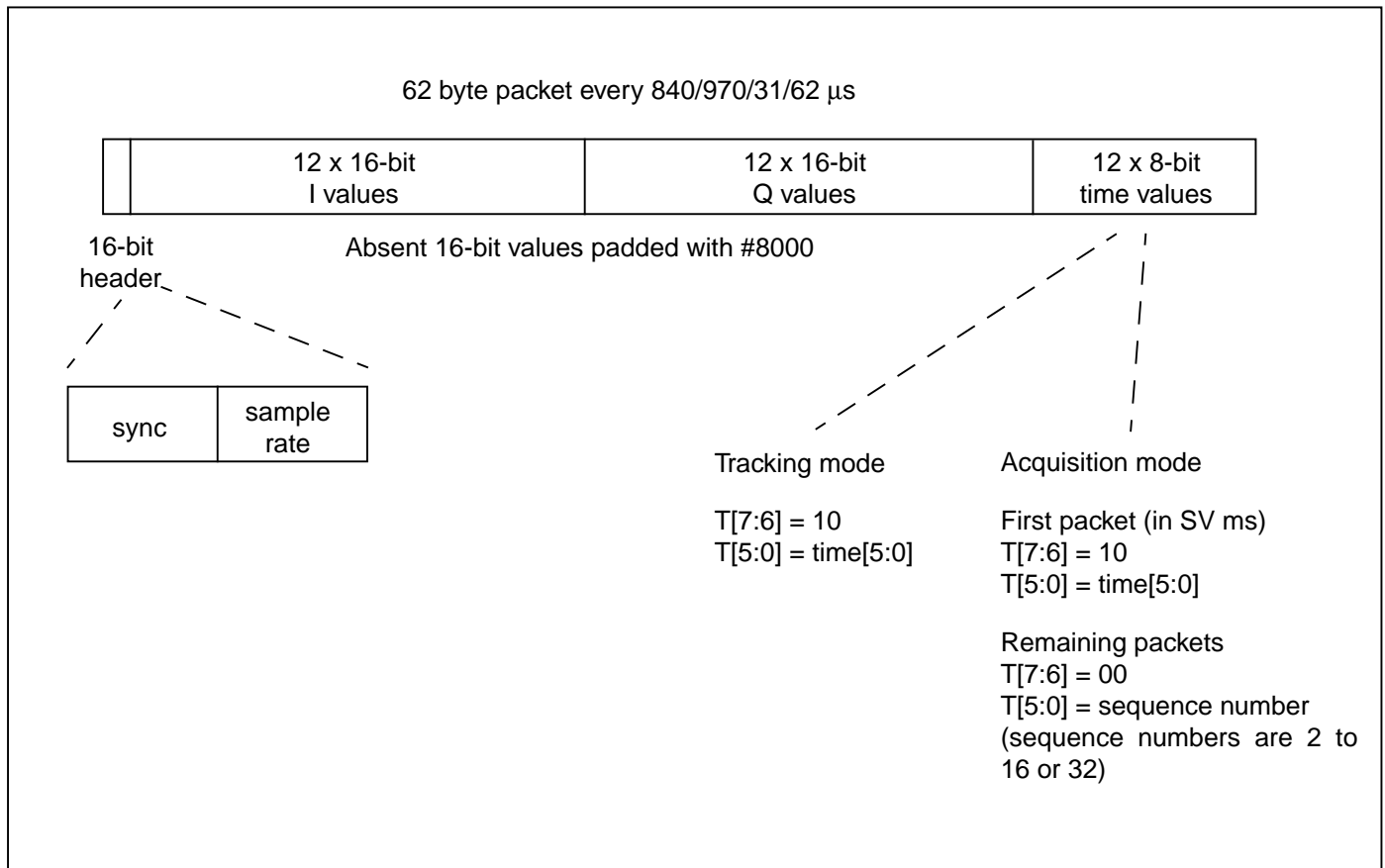


Figure 3.2 DSP packet format

3.1 DSP module registers

The GPS hardware channels of the ST20-GP6 are controlled by three sets of registers:

- 1 **DSPControl** register
- 2 **PRNcode0-11** and **PRNphase0-11** registers
- 3 **NCOfrequency0-11** and **NCOphase0-11** registers

The base addresses for the DSP registers are given in the Memory Map chapter.

DSPControl register

The **DSPControl** register determines whether the PRN generators are on (normal use) or disabled (for built-in-self-test of a system), whether the system is in tracking mode (840/970 μ s output rate) or initial acquisition mode (31/62 μ s), and selects which of the two rates for each mode. It also

determines whether the accumulated carrier phase in the NCO are reset to zero automatically or continue from their existing value. The bit allocations are given in Table 3.1.

DSPControl		DSP base address + #140	Write only			
Bit	Bit field	Function				
1:0	SampleRate	These bits control the sampling rate (the rate at which data is sent to the DMA controller). The encoding of these bits is as follows:				
		SampleRate[1:0]	Transfer period	No. of samples accumulated	Mode	
		00	840 μs	256	Tracking	
		01	970 μs	256	Acquisition	
		10	31 μs	8		
11	62 μs	16				
2	NCOResetEnable	When set to 1, the accumulated NCO phase for a channel is reset when the corresponding PRN code register is written.				
3	PRNDisable	When set to 1, all PRN generators are disabled.				

Table 3.1 DSPControl register format

PRNcode0-11 registers

The PRNcode0-11 registers choose the code for the particular satellite, and writing these causes a reset to the accumulated carrier phase in the NCO for the corresponding channel, if enabled by the DSPControl register.

PRNcode0-11		DSP base address + #00 to #2C	Write only			
Bit	Bit field	Function				
6:0	PRNcode	Satellite code as a 7-bit value.				

Table 3.2 PRNcode0-11 register format

The bit-fields for selecting particular GPS satellites are given in Table 3.3.

Satellite ID	PRNcode0-11 register value	Taps selected from G2 shift register ^a	
		by bits 6 to 4	by bits 3 to 0
1	#62	6	2
2	#73	7	3
3	#04	8	4
4	#15	9	5
5	#11	9	1
6	#22	10	2
7	#01	8	1
8	#12	9	2
9	#23	10	3
10	#32	3	2
11	#43	4	3
12	#65	6	5
13	#76	7	6
14	#07	8	7
15	#18	9	8
16	#29	10	9
17	#41	4	1
18	#52	5	2
19	#63	6	3
20	#74	7	4
21	#05	8	5
22	#16	9	6
23	#31	3	1
24	#64	6	4
25	#75	7	5
26	#06	8	6
27	#17	9	7
28	#28	10	8
29	#61	6	1
30	#72	7	2
31	#03	8	3
32	#14	9	4
-	#25	10	5
-	#24	10	4
-	#71	7	1
-	#02	8	2
-	#24	10	4
WAAS ^b	#20	10	0

Table 3.3 PRNcode0-11 register value

- Refer to the US DoD document ICD-GPS-200.
- It is the responsibility of the software to ensure that when this value is selected, a suitable value has been written into the **PRNinitialVal0-1** register. If this channel is later used for a standard GPS satellite, the **PRNinitialVal0-1** must be set to all ones (#3FF).

For channels 0 and 1, RTCA-SC159 satellite codes can also be selected. This is achieved by setting the **PRNcode0-11** register appropriately and also writing the initial value for the satellite to the

PRNInitialVal0-1 register, see Table 3.8. If uninitialized by the software, the **PRNInitialVal** register defaults to 11 1111 1111 (#3FF) as required for GPS satellites.

The **PRNcode0-11** and **PRNInitialVal0-1** registers are normally written only when the satellite is first chosen.

PRNphase0-11 registers

The **PRN0-11phase** registers determine the relative delay between the receiver master clock, and the start of the one millisecond repetitive code sequence. The code sequence starts when the receiver clock counter (invisible to the software except through message timestamps) reaches the value written to the **PRNphase0-11** register. The **PRNphase0-11** register must only be written once per satellite milliseconds-epoch, which varies from the receiver epoch dynamically due to satellite motion. Synchronism with the software is achieved by reading the register, when a write enable flag is returned. If not enabled, the write operation is abandoned by the software.

The 19-bit value comprises three fields. The 3 least significant bits represent the fractional-delay in eighths of a code-chip. The middle 10 bits represent the integer delay in code-chips, 0-1022, with the value 1023 illegal. The upper 6 most significant bits represent the delay in integer milliseconds.

PRNphase0-11		DSP base address + #40 to #6C	Write only
Bit	Bit field	Function	
2:0	FractionalDelay	Fractional delay in eighths of a code-chip.	
12:3	IntegerDelay	Integer delay in code-chips. Value 0-1022. Note, the value 1023 is illegal.	
18:13	Delay	Delay in integer milliseconds.	

Table 3.4 **PRNphase0-11** register format

Note also that the eighth-chip resolution of the code generator is not sufficient for positioning. At 125 ns it represents approximately 40 m of range, over 100 m of position. The software must maintain the range measurements around the 1 ns resolution level in a 32-bit field, and send an appropriate 19-bit sub-field to the register. Note, care must be taken when calculating this field from a computed delay, or vice versa, to allow for the missing value 1023. The overall register bit-field cannot be used mathematically as a single binary number.

PRNphase0-11WrEn registers

The **PRNphase0-11WrEn** flags are active low flags that record when the **PRNphase0-11** register can be updated. The **PRNphaseWrEn** flag for a channel is set high when the corresponding **PRN-phase** register is written. The flag is reset again when the value written is loaded into the PRN gen-

erator. Note, the **PRNphase0-11** register should only be updated when the **PRNphase0-11WrEn** register has been cleared by the hardware.

PRNphase0-11WrEn		DSP base address + #40 to #6C	Read only
Bit	Bit field	Function	
0	PRNphaseWrEn	Set when the corresponding PRNphase0-11 register is set.	

Table 3.5 **PRNphase0-11WrEn** register format

NCOfrequency0-11 registers

The **NCOfrequency0-11** registers hold a signed 18-bit value that is added repetitively, ignoring overflows, to the accumulated NCO phase from which the NCO sine and cosine waveforms are generated. The addition is performed at a 264 KHz rate (16.368MHz/62). The accumulated NCO phase is not accessible to the software, but can be cleared when initialising the channel if enabled by the **DSPControl** register.

Each unit value in the **NCOfrequency0-11** register represents $264\text{KHz}/(2^{18})$, i.e. 1.007080078125 Hz.

If the extreme values are written, #1FFFF and #20000, the sine wave generated will be at approximately +132 KHz, and precisely -132 KHz respectively.

NCOfrequency0-11		DSP base address + #80 to #AC	Write only
Bit	Bit field	Function	
17:0	NCOfrequency	NCO frequency as a signed 18-bit value.	

Table 3.6 **NCOfrequency0-11** register format

NCOphase0-11 registers

The **NCOphase0-11** registers contents are added to the accumulated phase to correct the carrier for the final 1 Hz that cannot be resolved by the NCO frequency. This addition is not cumulative, and the value must be updated regularly by the software as a result of carrier phase errors measured on the satellite signal. The register holds a signed 7-bit field representing +/-180 degrees total in steps of 2.8125 degrees (360/128).

NCOphase0-11		DSP base address + #C4 to #EC	Write only
Bit	Bit field	Function	
6:0	NCOphase	NCO phase as a signed 7-bit value representing +/-180 degrees total in steps of 2.8125 degrees (360/128).	

Table 3.7 **NCOphase0-11** register format

PRNInitialVal0-1 registers

The initial value for the two RTCA-SC159 capable satellites channels should be written to the **PRNInitialVal0-1** registers. The value can be found in the *RTCA-SC159 Specification*.

Note: The value written to the register is the Initial Value defined by RTCA-SC159 for the PRN required. The conversion from 'big-endian' as used in the specification to 'little-endian' as conventionally used in ST20 architectures has been implemented in the hardware.

If uninitialized by the software, this register defaults to 11 1111 1111 (#3FF) as required for GPS satellites.

PRNInitialVal0-1		DSP base address + #100, #104	Write only
Bit	Bit field	Function	
9:0	InitialValue	Initial value of the RTCA-SC159 satellite channel.	

Table 3.8 **PRNInitialVal0-1** register format

4 Central processing unit

The Central Processing Unit (CPU) is the ST20 32-bit processor core. It contains instruction processing logic, instruction and data pointers, and an operand register. It can directly access the high speed on-chip memory, which can store data or programs. Where larger amounts of memory are required, the processor can access memory via the External Memory Interface (EMI).

The processor provides high performance:

- Fast integer multiply - 4 cycle multiply
- Fast bit shift - single cycle barrel shifter
- Byte and part-word handling
- Scheduling and interrupt support
- 64-bit integer arithmetic support.

The scheduler provides a single level of pre-emption. In addition, multi-level pre-emption is provided by the interrupt subsystem, see Chapter 5 for details. Additionally, there is a per-priority trap handler to improve the support for arithmetic errors and illegal instructions, refer to section 4.6.

4.1 Registers

The CPU contains six registers which are used in the execution of a sequential integer process. The six registers are:

- The workspace pointer (**Wptr**) which points to an area of store where local data is kept.
- The instruction pointer (**lptr**) which points to the next instruction to be executed.
- The status register (**Status**).
- The **Areg**, **Breg** and **Creg** registers which form an evaluation stack.

The **Areg**, **Breg** and **Creg** registers are the sources and destinations for most arithmetic and logical operations. Loading a value into the stack pushes **Breg** into **Creg**, and **Areg** into **Breg**, before loading **Areg**. Storing a value from **Areg**, pops **Breg** into **Areg** and **Creg** into **Breg**. **Creg** is left undefined.

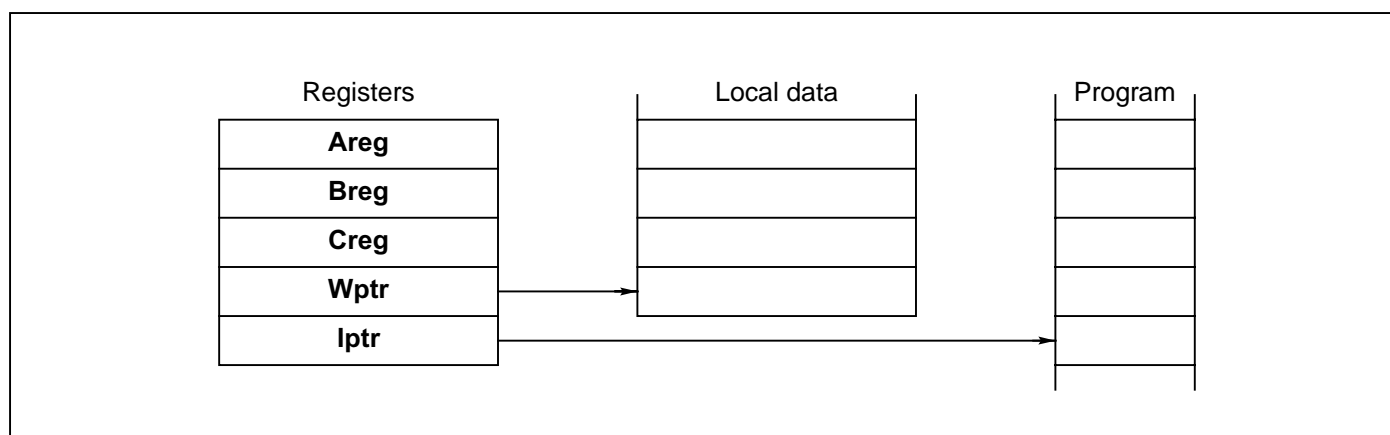


Figure 4.1 Registers used in sequential integer processes

Expressions are evaluated on the evaluation stack, and instructions refer to the stack implicitly. For example, the *add* instruction adds the top two values in the stack and places the result on the top of the stack. The use of a stack removes the need for instructions to explicitly specify the location of their operands. No hardware mechanism is provided to detect that more than three values have been loaded onto the stack; it is easy for the compiler to ensure that this never happens.

Note that a location in memory can be accessed relative to the workspace pointer, enabling the workspace to be of any size.

The use of shadow registers provides fast, simple and clean context switching.

4.2 Processes and concurrency

The following section describes ‘default’ behavior of the CPU and it should be noted that the user can alter this behavior, for example, by disabling timeslicing, installing a user scheduler, etc.

A process starts, performs a number of actions, and then either stops without completing or terminates complete. Typically, a process is a sequence of instructions. The CPU can run several processes in parallel (concurrently). Processes may be assigned either high or low priority, and there may be any number of each.

The processor has a microcoded scheduler which enables any number of concurrent processes to be executed together, sharing the processor time. This removes the need for a software kernel, although kernels can still be written if desired.

At any time, a process may be

- active* - being executed,
- interrupted by a higher priority process,
- on a list waiting to be executed.

- inactive* - waiting to input,
- waiting to output,
- waiting until a specified time.

The scheduler operates in such a way that inactive processes do not consume any processor time. Each active high priority process executes until it becomes inactive. The scheduler allocates a portion of the processor’s time to each active low priority process in turn (see section 4.3). Active processes waiting to be executed are held in two linked lists of process work spaces, one of high priority processes and one of low priority processes. Each list is implemented using two registers, one of which points to the first process in the list, the other to the last. In the linked process list shown in Figure 4.2, process *S* is executing and *P*, *Q* and *R* are active, awaiting execution. Only the low priority process queue registers are shown; the high priority process ones behave in a similar manner.

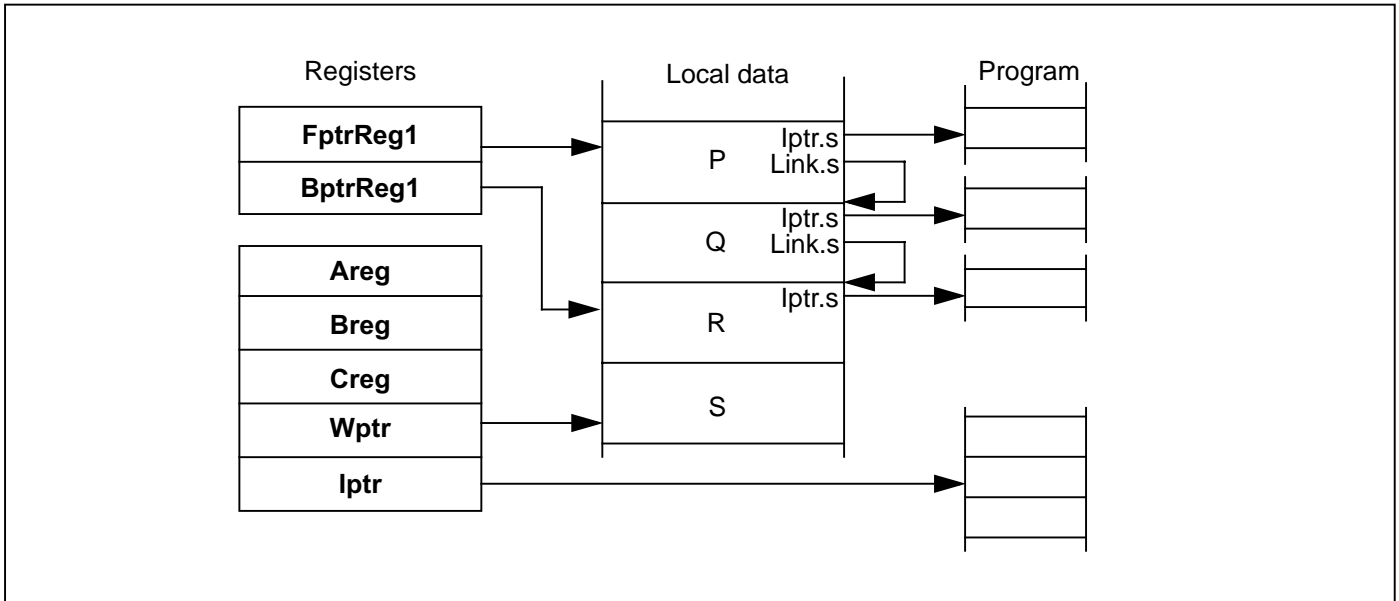


Figure 4.2 Linked process list

Function	High priority	Low priority
Pointer to front of active process list	FptrReg0	FptrReg1
Pointer to back of active process list	BptrReg0	BptrReg1

Table 4.1 Priority queue control registers

Each process runs until it has completed its action or is descheduled. In order for several processes to operate in parallel, a low priority process is only permitted to execute for a maximum of two timeslice periods. After this, the machine deschedules the current process at the next timeslicing point, adds it to the end of the low priority scheduling list and instead executes the next active process. The timeslice period is 1ms.

There are only certain instructions at which a process may be descheduled. These are known as descheduling points. A process may only be timesliced at certain descheduling points. These are known as timeslicing points and are defined in such a way that the operand stack is always empty. This removes the need for saving the operand stack when timeslicing. As a result, an expression evaluation can be guaranteed to execute without the process being timesliced part way through.

Whenever a process is unable to proceed, its instruction pointer is saved in the process workspace and the next process taken from the list.

The processor core provides a number of special instructions to support the process model, including *startp* (start process) and *endp* (end process). When a main process executes a parallel construct, *startp* is used to create the necessary additional concurrent processes. A *startp* instruction creates a new process by adding a new workspace to the end of the scheduling list, enabling the new concurrent process to be executed together with the ones already being executed. When a process is made active it is always added to the end of the list, and thus cannot pre-empt processes already on the same list.

The correct termination of a parallel construct is assured by use of the *endp* instruction. This uses a data structure that includes a counter of the parallel construct components which have still to ter-

minate. The counter is initialized to the number of components before the processes are started. Each component ends with an *endp* instruction which decrements and tests the counter. For all but the last component, the counter is non zero and the component is descheduled. For the last component, the counter is zero and the main process continues.

4.3 Priority

The following section describes 'default' behavior of the CPU and it should be noted that the user can alter this behavior, for example, by disabling timeslicing and priority interrupts.

The processor can execute processes at one of two priority levels, one level for urgent (high priority) processes, one for less urgent (low priority) processes. A high priority process will always execute in preference to a low priority process if both are able to do so.

High priority processes are expected to execute for a short time. If one or more high priority processes are active, then the first on the queue is selected and executes until it has to wait for a communication, a timer input, or until it completes processing.

If no process at high priority is active, but one or more processes at low priority are active, then one is selected. Low priority processes are periodically timesliced to provide an even distribution of processor time between tasks which use a lot of computation.

If there are n low priority processes, then the maximum latency from the time at which a low priority process becomes active to the time when it starts processing is the order of $2n$ timeslice periods. It is then able to execute for between one and two timeslice periods, less any time taken by high priority processes. This assumes that no process monopolizes the time of the CPU; i.e. it has frequent timeslicing points.

The specific condition for a high priority process to start execution is that the CPU is idle or running at low priority and the high priority queue is non-empty.

If a high priority process becomes able to run while a low priority process is executing, the low priority process is temporarily stopped and the high priority process is executed. The state of the low priority process is saved into 'shadow' registers and the high priority process is executed. When no further high priority processes are able to run, the state of the interrupted low priority process is reloaded from the shadow registers and the interrupted low priority process continues executing. Instructions are provided on the processor core to allow a high priority process to store the shadow registers to memory and to load them from memory. Instructions are also provided to allow a process to exchange an alternative process queue for either priority process queue (see Table 7.21 on page 49). These instructions allow extensions to be made to the scheduler for custom run-time kernels.

A low priority process may be interrupted after it has completed execution of any instruction. In addition, to minimize the time taken for an interrupting high priority process to start executing, the potentially time consuming instructions are interruptible. Also some instructions may be aborted, and are restarted when the process next becomes active (refer to the Instruction Set chapter).

4.4 Process communications

Communication between processes takes place over channels, and is implemented in hardware. Communication is point-to-point, synchronized and unbuffered. As a result, a channel needs no process queue, no message queue and no message buffer.

A channel between two processes executing on the same CPU is implemented by a single word in memory; a channel between processes executing on different processors is implemented by point-to-point links. The processor provides a number of operations to support message passing, the most important being *in* (input message) and *out* (output message).

The *in* and *out* instructions use the address of the channel to determine whether the channel is internal or external. This means that the same instruction sequence can be used for both hard and soft channels, allowing a process to be written and compiled without knowledge of where its channels are implemented.

Communication takes place when both the inputting and outputting processes are ready. Consequently, the process which first becomes ready must wait until the second one is also ready. The inputting and outputting processes only become active when the communication has completed.

A process performs an input or output by loading the evaluation stack with, a pointer to a message, the address of a channel, and a count of the number of bytes to be transferred, and then executing an *in* or *out* instruction.

4.5 Timers

There are two 32-bit hardware timer clocks which ‘tick’ periodically. These are independent of any on-chip peripheral real time clock. The timers provide accurate process timing, allowing processes to deschedule themselves until a specific time.

One timer is accessible only to high priority processes and is incremented approximately every microsecond, cycling completely in approximately 4295 seconds. The other is accessible only to low priority processes and is incremented approximately every 64 microseconds, giving 15625 ticks per second. It has a full period of approximately 76 hours. Timer frequencies are approximate.

Register	Function
ClockReg0	Current value of high priority (level 0) process clock.
ClockReg1	Current value of low priority (level 1) process clock.
TnextReg0	Indicates time of earliest event on high priority (level 0) timer queue.
TnextReg1	Indicates time of earliest event on low priority (level 1) timer queue.
TptrReg0	High priority timer queue.
TptrReg1	Low priority timer queue.

Table 4.2 Timer registers

The current value of the processor clock can be read by executing a *ldtimer* (load timer) instruction. A process can arrange to perform a *tin* (timer input), in which case it will become ready to execute after a specified time has been reached. The *tin* instruction requires a time to be specified. If this time is in the ‘past’ then the instruction has no effect. If the time is in the ‘future’ then the process is descheduled. When the specified time is reached the process becomes active. In addition, the

ldclock (load clock), *stclock* (store clock) instructions allow total control over the clock value and the *clockenb* (clock enable), *clockdis* (clock disable) instructions allow each clock to be individually stopped and re-started.

Figure 4.3 shows two processes waiting on the timer queue, one waiting for time 21, the other for time 31.

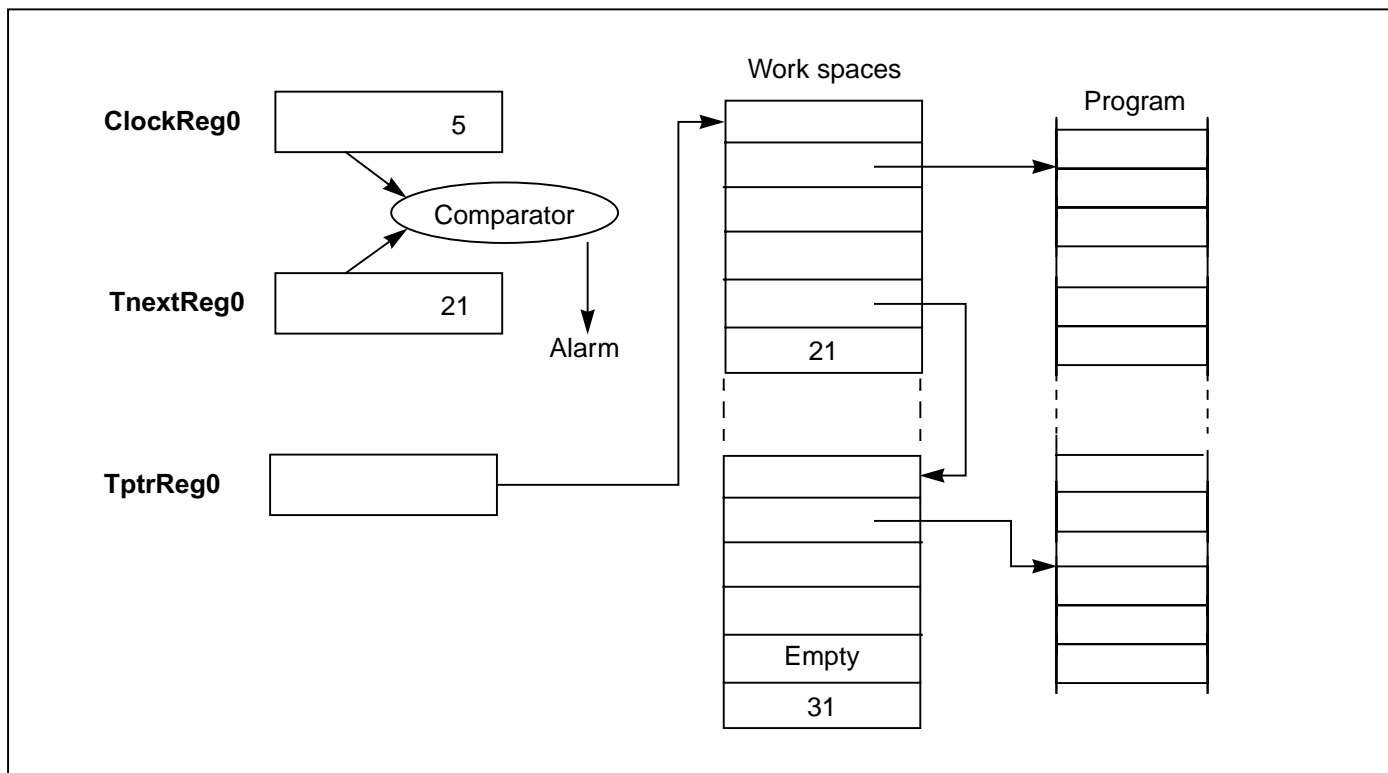


Figure 4.3 Timer registers

4.6 Traps and exceptions

A software error, such as arithmetic overflow or array bounds violation, can cause an error flag to be set in the CPU. The flag is directly connected to the **ErrorOut** pin. Both the flag and the pin can be ignored, or the CPU stopped. Stopping the CPU on an error means that the error cannot cause further corruption. As well as containing the error in this way it is possible to determine the state of the CPU and its memory at the time the error occurred. This is particularly useful for postmortem debugging where the debugger can be used to examine the state and history of the processor leading up to and causing the error condition.

In addition, if a trap handler process is installed, a variety of traps/exceptions can be trapped and handled by software. A user supplied trap handler routine can be provided for each high/low process priority level. The handler is started when a trap occurs and is given the reason for the trap. The trap handler is not re-entrant and must not cause a trap itself within the same group. All traps can be individually masked.

4.6.1 Trap groups

The trap mechanism is arranged on a per priority basis. For each priority there is a handler for each group of traps, as shown in Figure 4.4.

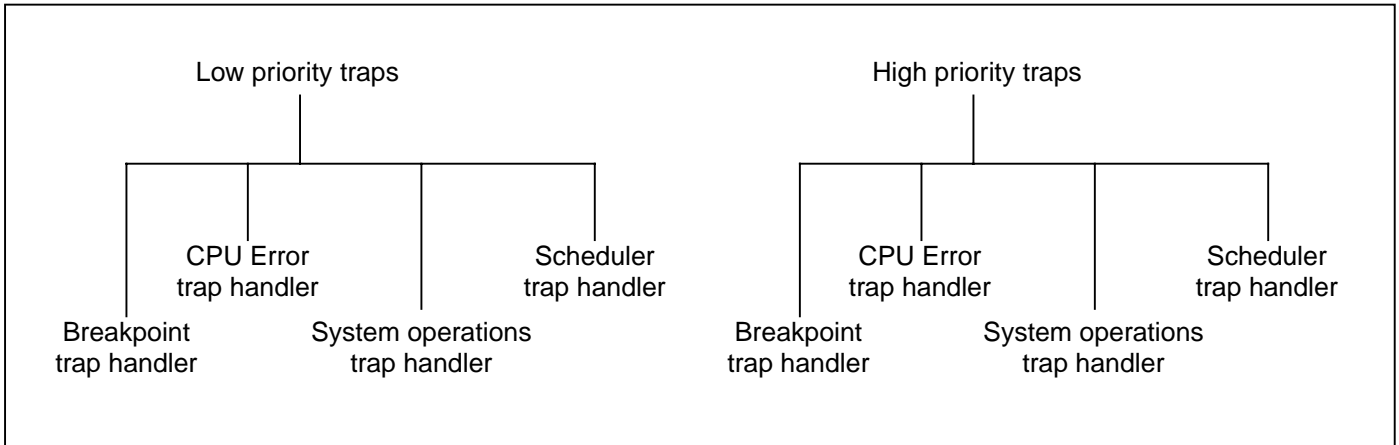


Figure 4.4 Trap arrangement

There are four groups of traps, as detailed below.

- Breakpoint

This group consists of the *Breakpoint* trap. The breakpoint instruction (*j0*) calls the breakpoint routine via the trap mechanism.

- Errors

The traps in this group are *IntegerError* and *Overflow*. *Overflow* represents arithmetic overflow, such as arithmetic results which do not fit in the result word. *IntegerError* represents errors caused when data is erroneous, for example when a range checking instruction finds that data is out of range.

- System operations

This group consists of the *LoadTrap*, *StoreTrap* and *IllegalOpcode* traps. The *IllegalOpcode* trap is signalled when an attempt is made to execute an illegal instruction. The *LoadTrap* and *StoreTrap* traps allow a kernel to intercept attempts by a monitored process to change or examine trap handlers or trapped process information. It enables a user program to signal to a kernel that it wishes to install a new trap handler.

- Scheduler

The scheduler trap group consists of the *ExternalChannel*, *InternalChannel*, *Timer*, *TimeSlice*, *Run*, *Signal*, *ProcessInterrupt* and *QueueEmpty* traps. The *ProcessInterrupt* trap signals that the machine has performed a priority interrupt from low to high. The *QueueEmpty* trap indicates that there is no further executable work to perform. The other traps in this group indicate that the hardware scheduler wants to schedule a process on a process queue, with the different traps enabling the different sources of this to be monitored.

The scheduler traps enable a software scheduler kernel to use the hardware scheduler to implement a multi-priority software scheduler.

Note that scheduler traps are different from other traps as they are caused by the micro-scheduler rather than by an executing process.

Trap groups encoding is shown in Table 4.3 below. These codes are used to identify trap groups to various instructions.

Trap group	Code
Breakpoint	0
CPU errors	1
System operations	2
Scheduler	3

Table 4.3 Trap group codes

In addition to the trap groups mentioned above, the **CauseError** flag in the **Status** register is used to signal when a trap condition has been activated by the *causeerror* instruction. It can be used to indicate when trap conditions have occurred due to the user setting them, rather than by the system.

4.6.2 Events that can cause traps

Table 4.4 summarizes the events that can cause traps and gives the encoding of bits in the trap **Status** and **Enable** words.

Trap cause	Status/Enable codes	Trap group	Comments
<i>Breakpoint</i>	0	0	When a process executes the breakpoint instruction (<i>j0</i>) then it traps to its trap handler.
<i>IntegerError</i>	1	1	Integer error other than integer overflow - e.g. explicitly checked or explicitly set error.
<i>Overflow</i>	2	1	Integer overflow or integer division by zero.
<i>IllegalOpcode</i>	3	2	Attempt to execute an illegal instruction. This is signalled when <i>opr</i> is executed with an invalid operand.
<i>LoadTrap</i>	4	2	When the trap descriptor is read with the <i>ldtraph</i> instruction or when the trapped process status is read with the <i>ldtrapped</i> instruction.
<i>StoreTrap</i>	5	2	When the trap descriptor is written with the <i>sttraph</i> instruction or when the trapped process status is written with the <i>sttrapped</i> instruction.
<i>InternalChannel</i>	6	3	Scheduler trap from internal channel.
<i>ExternalChannel</i>	7	3	Scheduler trap from external channel.
<i>Timer</i>	8	3	Scheduler trap from timer alarm.
<i>Timeslice</i>	9	3	Scheduler trap from timeslice.
<i>Run</i>	10	3	Scheduler trap from <i>runp</i> (run process) or <i>startp</i> (start process).
<i>Signal</i>	11	3	Scheduler trap from <i>signal</i> .
<i>ProcessInterrupt</i>	12	3	Start executing a process at a new priority level.
<i>QueueEmpty</i>	13	3	Caused by no process active at a priority level.
<i>CauseError</i>	15 (Status only)	Any, encoded 0-3	Signals that the <i>causeerror</i> instruction set the trap flag.

Table 4.4 Trap causes and **Status/Enable** codes

4.6.3 Trap handlers

For each trap handler there is a trap handler structure and a trapped process structure. Both the trap handler structure and the trapped process structure are in memory and can be accessed via instructions, see section 4.6.4.

The trap handler structure specifies what should happen when a trap condition is present, see Table 4.5.

The trapped process structure saves some of the state of the process that was running when the trap was taken, see Table 4.6.

In addition, for each priority, there is an **Enables** register and a **Status** register. The **Enables** register contains flags to enable each cause of trap. The **Status** register contains flags to indicate which trap conditions have been detected. The **Enables** and **Status** register bit encodings are given in Table 4.4.

	Comments	Location
lptr	lptr of trap handler process.	Base + 3
Wptr	Wptr of trap handler process. A null Wptr indicates that a trap handler has not been installed.	Base + 2
Status	Contains the Status register that the trap handler starts with.	Base + 1
Enables	A word which encodes the trap enable and global interrupt masks, which will be ANDed with the existing masks to allow the trap handler to disable various events while it runs.	Base + 0

Table 4.5 Trap handler structure

	Comments	Location
lptr	Points to the instruction after the one that caused the trap condition.	Base + 3
Wptr	Wptr of the process that was running when the trap was taken.	Base + 2
Status	The relevant trap bit is set, see Table 4.3 for trap codes.	Base + 1
Enables	Interrupt enables.	Base + 0

Table 4.6 Trapped process structure

A trap will be taken at an interruptible point if a trap is set and the corresponding trap enable bit is set in the **Enables** register. If the trap is not enabled then nothing is done with the trap condition. If the trap is enabled then the corresponding bit is set in the **Status** register to indicate the trap condition has occurred.

When a process takes a trap the processor saves the existing **lptr**, **Wptr**, **Status** and **Enables** in the trapped process structure. It then loads **lptr**, **Wptr** and **Status** from the equivalent trap handler structure and ANDs the value in **Enables** with the value in the structure. This allows the user to disable various events while in the handler, in particular a trap handler must disable all the traps of its trap group to avoid the possibility of a handler trapping to itself.

The trap handler then executes. The values in the trapped process structure can be examined using the *ldtrapped* instruction (see section 4.6.4). When the trap handler has completed its opera-

tion it returns to the trapped process via the *tret* (trap return) instruction. This reloads the values saved in the trapped process structure and clears the trap flag in **Status**.

Note that when a trap handler is started, **Areg**, **Breg** and **Creg** are not saved. The trap handler must save the **Areg**, **Breg**, **Creg** registers using *stl* (store local).

4.6.4 Trap instructions

Trap handlers and trapped processes can be set up and examined via the *ldtraph*, *sttraph*, *ldtrapped* and *sttrapped* instructions. Table 4.7 describes the instructions that may be used when dealing with traps.

Instruction	Meaning	Use
<i>ldtraph</i>	load trap handler	Load the trap handler from memory to the trap handler descriptor.
<i>sttraph</i>	store trap handler	Store an existing trap handler descriptor to memory.
<i>ldtrapped</i>	load trapped	Load replacement trapped process status from memory.
<i>sttrapped</i>	store trapped	Store trapped process status to memory.
<i>traphenb</i>	trap enable	Enable traps.
<i>trapdis</i>	trap disable	Disable traps.
<i>tret</i>	trap return	Used to return from a trap handler.
<i>causeerror</i>	cause error	Program can simulate the occurrence of an error.

Table 4.7 Instructions which may be used when dealing with traps

The first four instructions transfer data to/from the trap handler structures or trapped process structures from/to an area in memory. In these instructions **Areg** contains the trap group code (see Table 4.3) and **Breg** points to the 4 word area of memory used as the source or destination of the transfer. In addition **Creg** contains the priority of the handler to be installed/examined in the case of *ldtraph* or *sttraph*. *ldtrapped* and *sttrapped* apply only to the current priority.

If the *LoadTrap* trap is enabled then *ldtraph* and *ldtrapped* do not perform the transfer but set the **LoadTrap** trap flag. If the *StoreTrap* trap is enabled then *sttraph* and *sttrapped* do not perform the transfer but set the **StoreTrap** trap flag.

The trap enable masks are encoded by an array of bits (see Table 4.4) which are set to indicate which traps are enabled. This array of bits is stored in the lower half-word of the **Enables** register. There is an **Enables** register for each priority. Traps are enabled or disabled by loading a mask into **Areg** with bits set to indicate which traps are to be affected and the priority to affect in **Breg**. Executing *traphenb* ORs the mask supplied in **Areg** with the trap enables mask in the **Enables** register for the priority in **Breg**. Executing *trapdis* negates the mask supplied in **Areg** and ANDs it with the trap enables mask in the **Enables** register for the priority in **Breg**. Both instructions return the previous value of the trap enables mask in **Areg**.

4.6.5 Restrictions on trap handlers

There are various restrictions that must be placed on trap handlers to ensure that they work correctly.

- 1 Trap handlers must not deschedule or timeslice. Trap handlers alter the **Enables** masks, therefore they must not allow other processes to execute until they have completed.
- 2 Trap handlers must have their **Enable** masks set to mask all traps in their trap group to avoid the possibility of a trap handler trapping to itself.
- 3 Trap handlers must terminate via the *tret* (trap return) instruction. The only exception to this is that a scheduler kernel may use *restart* to return to a previously shadowed process.

5 Interrupt controller

The ST20-GP6 supports external interrupts, enabling an on-chip subsystem or external interrupt pin to interrupt the currently running process in order to run an interrupt handling process

The ST20-GP6 interrupt subsystem supports eight prioritized interrupts. This allows nested preemptive interrupts for real-time system design. In addition, there is an interrupt level controller (refer to Chapter 6) which multiplexes incoming interrupts onto the eight programmable interrupt levels. This multiplexing is controllable by software. There are 6 sources of interrupts. Four of these are internal (2 for the UARTs, 2 for the programmable IO) and two are external.

All interrupts are a higher priority than the low priority process queue. Each interrupt can be programmed to be at a lower priority or a higher priority than the high priority process queue, this is determined by the **Priority** bit in the **HandlerWptr0-7** registers, see Table 5.1 on page 33.

Note: Interrupts (**Interrupt0-7**) which are specified as higher priority must be contiguous from the highest numbered interrupt downwards, i.e. if 4 interrupts are programmed as higher priority and 4 as lower priority the higher priority interrupts must be **Interrupt7:4** and the lower priority interrupts **Interrupt3:0**.

Note that interrupt handlers must not prevent the GPS DSP data traffic from being handled. During continuous operation this has 1 ms latency and is not a problem, but during initial acquisition it has a 32 μ s rate and thus care must be taken with interrupt priorities unless used to stop GPS operation.

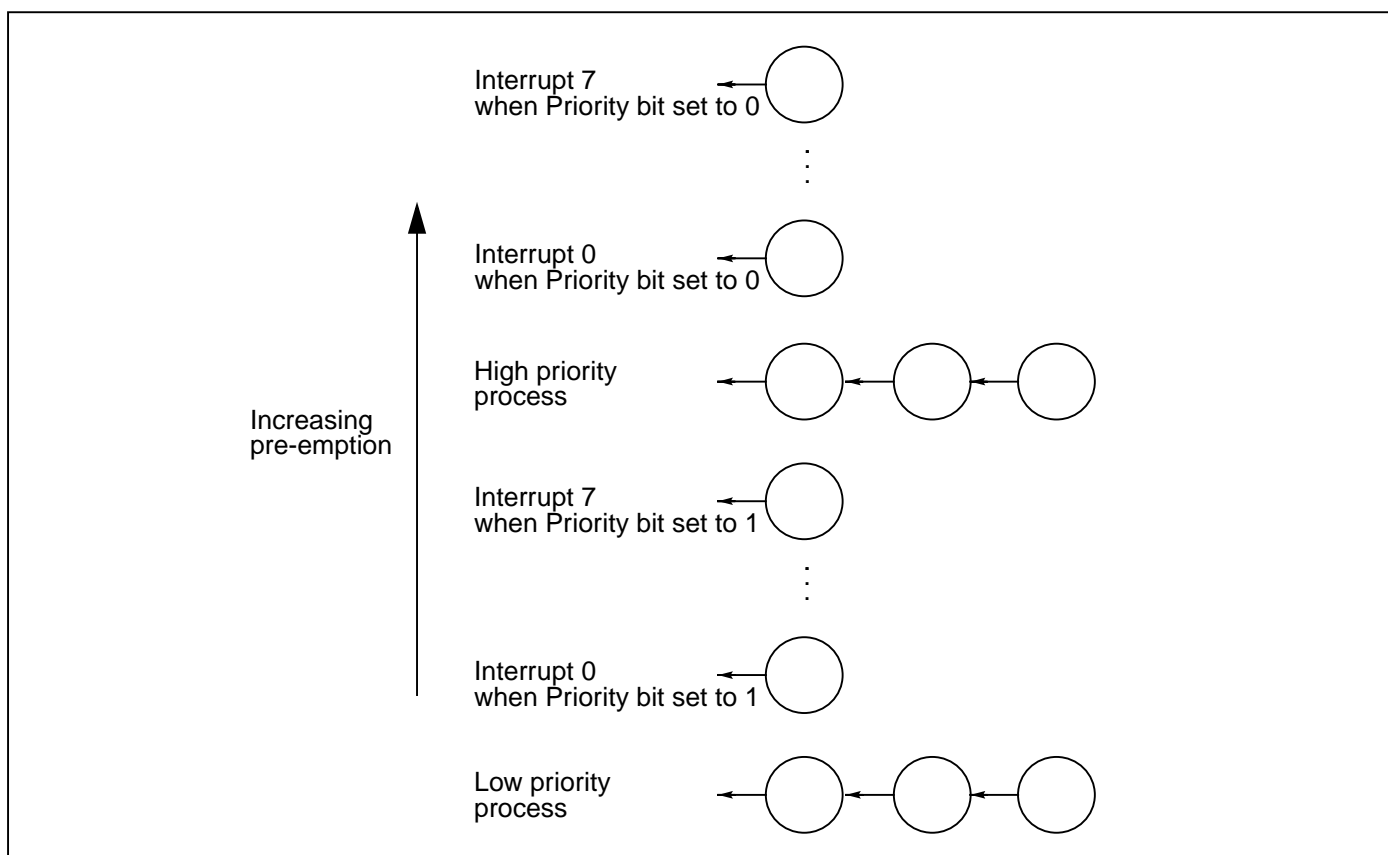


Figure 5.1 Interrupt priority

Interrupts on the ST20-GP6 are implemented via an on-chip interrupt controller peripheral. An interrupt can be signalled to the controller by one of the following:

- a signal on an external **Interrupt** pin
- a signal from an internal peripheral or subsystem
- software asserting an interrupt in the **Pending** register

5.1 Interrupt vector table

The interrupt controller contains a table of pointers to interrupt handlers. Each interrupt handler is represented by its workspace pointer (**Wptr**). The table contains a workspace pointer for each level of interrupt.

The **Wptr** gives access to the code, data and interrupt save space of the interrupt handler. The position of the **Wptr** in the interrupt table implies the priority of the interrupt.

Run-time library support is provided for setting and programming the vector table.

5.2 Interrupt handlers

At any interruptible point in its execution the CPU can receive an interrupt request from the interrupt controller. The CPU immediately acknowledges the request.

In response to receiving an interrupt the CPU performs a procedure call to the process in the vector table. The state of the interrupted process is stored in the workspace of the interrupt handler as shown in Figure 5.2. Each interrupt level has its own workspace.

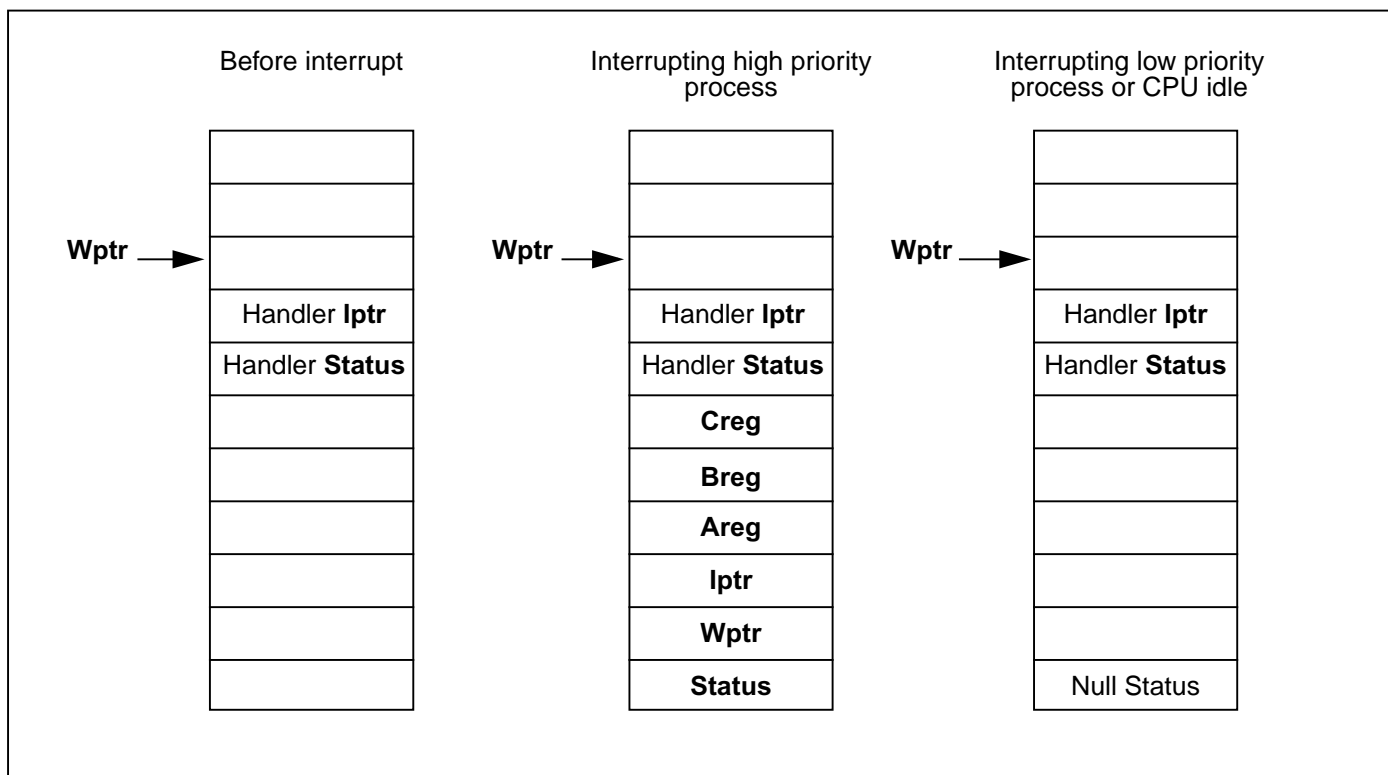


Figure 5.2 State of interrupted process

The interrupt routine is initialized with space below **Wptr**. The **lptr** and **Status** word for the routine are stored there permanently. This should be programmed before the **Wptr** is written into the vector table. The behavior of the interrupt differs depending on the priority of the CPU when the interrupt occurs.

When an interrupt occurs when the CPU was running at high priority, and the interrupt is set at a higher priority than the high priority process queue, the CPU saves the current process state (**Areg**, **Breg**, **Creg**, **Wptr**, **lptr** and **Status**) into the workspace of the interrupt handler. The value **HandlerWptr**, which is stored in the interrupt controller, points to the top of this workspace. The values of **lptr** and **Status** to be used by the interrupt handler are loaded from this workspace and starts executing the handler. The value of **Wptr** is then set to the bottom of this save area.

When an interrupt occurs when the CPU was running at high priority, and the interrupt is set at a lower priority than the high priority process queue, no action is taken and the interrupt waits in a queue until all higher priority interrupts have been serviced (see section 5.4).

Interrupts always take priority over low priority processes. When an interrupt occurs when the CPU was idle or running at low priority, the **Status** is saved. This indicates that no valid process is running (*Null Status*). The interrupted processes (low priority process) state is stored in shadow registers. This state can be accessed via the *ldshadow* (load shadow registers) and *stshadow* (store shadow registers) instructions. The interrupt handler is then run at high priority.

When the interrupt routine has completed it must adjust **Wptr** to the value at the start of the handler code and then execute the *iret* (interrupt return) instruction. This restores the interrupted state from the interrupt handler structure and signals to the interrupt controller that the interrupt has completed. The processor will then continue from where it was before being interrupted.

5.3 Interrupt latency

The interrupt latency is dependent on the data being accessed and the position of the interrupt handler and the interrupted process. This allows systems to be designed with the best trade-off use of fast internal memory and interrupt latency.

5.4 Preemption and interrupt priority

Each interrupt channel has an implied priority fixed by its place in the interrupt vector table. All interrupts will cause scheduled processes of lower priority to be suspended and the interrupt handler started. Once an interrupt has been sent from the controller to the CPU the controller keeps a record of the current executing interrupt priority. This is only cleared when the interrupt handler executes a return from interrupt (*iret*) instruction. Interrupts of a lower priority arriving will be blocked by the interrupt controller until the interrupt priority has descended to such a level that the routine will execute. An interrupt of a higher priority than the currently executing handler will be passed to the CPU and cause the current handler to be suspended until the higher priority interrupt is serviced.

In this way interrupts can be nested and a higher priority interrupt will always pre-empt a lower priority one. Deep nesting and placing frequent interrupts at high priority can result in a system where low priority interrupts are never serviced or the controller and CPU time are consumed in nesting interrupt priorities and not executing the interrupt handlers.

5.5 Restrictions on interrupt handlers

There are various restrictions that must be placed on interrupt handlers to ensure that they interact correctly with the rest of the process model implemented in the CPU.

- 1 Interrupt handlers must not deschedule.
- 2 Interrupt handlers must not execute communication instructions. However they may communicate with other processes through shared variables using the semaphore *signal* to synchronize.
- 3 Interrupt handlers must not perform 2d block move instructions.
- 4 Interrupt handlers must not cause program traps. However they may be trapped by a scheduler trap.

5.6 Interrupt configuration registers

The interrupt controller is allocated a 4k block of memory in the internal peripheral address space. Information on interrupts is stored in registers as detailed in the following section. The registers can be examined and set by the *dev/w* (device load word) and *devsw* (device store word) instructions. Note, they can not be accessed using memory instructions.

HandlerWptr register

The **HandlerWptr** registers (1 per interrupt) contain a pointer to the workspace of the interrupt handler. It also contains the **Priority** bit which determines whether the interrupt is at a higher or lower priority than the high priority process queue.

Note, before the interrupt is enabled, by writing a 1 in the **Mask** register, the user (or toolset) must ensure that there is a valid **Wptr** in the register.

HandlerWptr		Interrupt controller base address + #00 to #1C	Read/Write
Bit	Bit field	Function	
0	Priority	Sets the priority of the interrupt. If this bit is set to 0, the interrupt is a higher priority than the high priority process queue, if this bit is 1, the interrupt is a lower priority than the high priority process queue. <div style="margin-left: 40px;">0 high priority</div> <div style="margin-left: 40px;">1 low priority</div>	
31:2	HandlerWptr	Pointer to the workspace of the interrupt handler.	
1		Reserved, write 0.	

Table 5.1 **HandlerWptr** register format - one register per interrupt

TriggerMode register

Each interrupt channel can be programmed to trigger on rising/falling edges or high/low levels on the external **Interrupt**.

TriggerMode		Interrupt controller base address + #40 to #5C	Read/Write
Bit	Bit field	Function	
2:0	Trigger	Control the triggering condition of the Interrupt , as follows: Trigger2:0 Interrupt triggers on 000 No trigger mode 001 High level - triggered while input high 010 Low level - triggered while input low 011 Rising edge - low to high transition 100 Falling edge - high to low transition 101 Any edge - triggered on rising and falling edges 110 No trigger mode 111 No trigger mode	

Table 5.2 **TriggerMode** register format - one register per interrupt

Note, level triggering is different to edge triggering in that if the input is held at the triggering level, a continuous stream of interrupts is generated.

Mask register

An interrupt mask register is provided in the interrupt controller to selectively enable or disable external interrupts. This mask register also includes a global interrupt disable bit to disable all external interrupts whatever the state of the individual interrupt mask bits.

To complement this the interrupt controller also includes an interrupt pending register which contains a pending flag for each interrupt channel. The **Mask** register performs a masking function on the **Pending** register to give control over what is allowed to interrupt the CPU while retaining the ability to continually monitor external interrupts.

On start-up, the **Mask** register is initialized to zeros, thus all interrupts are disabled, both globally and individually. When a 1 is written to the **GlobalEnable** bit, the individual interrupt bits are still disabled and must also have a 1 individually written to the **InterruptEnable** bit to enable the respective interrupt.

Mask		Interrupt controller base address + #C0	Read/Write
Bit	Bit field	Function	
7:0	Interrupt7:0Enable	When set to 1, interrupt is enabled. When 0, interrupt is disabled.	
16	GlobalEnable	When set to 1, the setting of the interrupt is determined by the specific InterruptEnable bit. When 0, all interrupts are disabled.	
15:8		Reserved, write 0.	

Table 5.3 **Mask** register format

The **Mask** register is mapped onto two additional addresses so that bits can be set or cleared individually.

Set_Mask (address ‘interrupt base address + #C4’) allows bits to be set individually. Writing a ‘1’ in this register sets the corresponding bit in the **Mask** register, a ‘0’ leaves the bit unchanged.

Clear_Mask (address ‘interrupt base address + #C8’) allows bits to be cleared individually. Writing a ‘1’ in this register resets the corresponding bit in the **Mask** register, a ‘0’ leaves the bit unchanged.

Pending register

The **Pending** register contains a bit per interrupt with each bit controlled by the corresponding interrupt. A read can be used to examine the state of the interrupt controller while a write can be used to explicitly trigger an interrupt.

A bit is set when the triggering condition for an interrupt is met. All bits are independent so that several bits can be set in the same cycle. Once a bit is set, a further triggering condition will have no effect. The triggering condition is independent of the **Mask** register.

The highest priority interrupt bit is reset once the interrupt controller has made an interrupt request to the CPU.

The interrupt controller receives external interrupt requests and makes an interrupt request to the CPU when it has a pending interrupt request of higher priority than the currently executing interrupt handler.

Pending		Interrupt controller base address + #80	Read/Write
Bit	Bit field	Function	
7:0	PendingInt7:0	Interrupt pending bit.	

Table 5.4 Bit fields in the **Pending** register

The **Pending** register is mapped onto two additional addresses so that bits can be set or cleared individually.

Set_Pending (address ‘interrupt base address + #84’) allows bits to be set individually. Writing a ‘1’ in this register sets the corresponding bit in the **Pending** register, a ‘0’ leaves the bit unchanged.

Clear_Pending (address ‘interrupt base address + #88’) allows bits to be cleared individually. Writing a ‘1’ in this register resets the corresponding bit in the **Pending** register, a ‘0’ leaves the bit unchanged.

Note, if the CPU wants to write or clear some bits of the **Pending** register, the interrupts should be masked (by writing or clearing the **Mask** register) before writing or clearing the **Pending** register. The interrupts can then be unmasked.

Exec register

The **Exec** register keeps track of the currently executing and pre-empted interrupts. A bit is set when the CPU starts running code for that interrupt. The highest priority interrupt bit is reset once the interrupt handler executes a return from interrupt (*iret*).

Exec		Interrupt controller base address + #100	Read/Write
Bit	Bit field	Function	
7:0	Interrupt7:0Exec	Set to 1 when the CPU starts running code for interrupt.	

Table 5.5 Bit fields in the **Exec** register

The **Exec** register is mapped onto two additional addresses so that bits can be set or cleared individually.

Set_Exec (address 'interrupt base address + #104') allows bits to be set individually. Writing a '1' in this register sets the corresponding bit in the **Exec** register, a '0' leaves the bit unchanged.

Clear_Exec (address 'interrupt base address + #108') allows bits to be cleared individually. Writing a '1' in this register resets the corresponding bit in the **Exec** register, a '0' leaves the bit unchanged.

6 Interrupt level controller

There are 6 interrupts (of which 2 are external) generated in the ST20-GP6 system and each of these is assigned to one of the interrupt controller's 8 inputs. Thus each of the interrupt controller's inputs responds to zero or more of the 8 system interrupts.

An interrupt handler routine is able to ascertain the source of an interrupt where two or more system interrupts are assigned to one handler by doing a device read from the **InputInterrupts** register (see Table 6.3) and examining the bits that correspond to the system interrupts assigned to that handler.

The interrupt level controller has additional functionality to support the low power controller. The external interrupts are monitored and a signal is generated for the low power controller which tells it when any of them goes to a pre-determined level. This level is programmable for each external interrupt, and in addition each interrupt can be selectively masked.

6.1 Interrupt assignments

The interrupts from the peripherals on the ST20-GP6 are assigned as follows:

Interrupt	Peripheral	Signals ORed together to generate interrupt signal
0	PIO A	Compare function
1	PIO B	Compare function
2	ASC0	ASC0TxBufEmpty, ASC0TxEmpty, ASC0RxBufFull, ASC0ErrorInterrupt
3	ASC1	ASC1TxBufEmpty, ASC1TxEmpty, ASC1RxBufFull, ASC1ErrorInterrupt
15:4	UNUSED	UNUSED
16	Interrupt0 pin	
17	Interrupt1 pin	

Table 6.1 Interrupt assignments

These interrupts are inputs to the interrupt level controller. This allows these interrupts to be assigned to any of eight interrupt priority levels and for multiple interrupts to share a priority level.

6.2 Interrupt level controller registers

The interrupt level controller is programmable via configuration registers. These registers can be examined and set by the *devlw* (device load word) and *devsw* (device store word) instructions.

IntPriority registers

The priority assigned to each of the input interrupts is programmable via the **IntPriority** registers.

The interrupt level controller asserts interrupt output *N* when one or more of the input interrupts with programmed priority equal to *N* are high. It is level sensitive and re-timed at the input, thus incurring one cycle of latency.

IntPriority		Interrupt level controller base address + #00 to #1C	Read/Write
Bit	Bit field	Function	
2:0	IntPriority	Determines the priority of each interrupt input. IntPriority2:0 Asserts output interrupt 000 0 (lowest priority) 001 1 010 2 011 3 100 4 101 5 110 6 111 7 (highest priority)	

Table 6.2 **IntPriority** register format - 1 register per interrupt

InputInterrupts register

The **InputInterrupts** register is a read only register. It contains a vector which shows all of the input interrupts, so bit 0 of the read data corresponds to **InterruptIn0**, bit 1 corresponds to **InterruptIn1**.

Inputinterrupts		Interrupt level controller base address + #48	Read only
Bit	Bit field	Function	
1:0	InterruptIn-0	Input interrupt levels.	

Table 6.3 **InputInterrupts** register format

Low power controller support registers

The interrupt level controller has 2 additional registers to support the low power controller (see Chapter 11 on page 66). The external interrupts can be used to provide a wake-up from power-down mode.

The **IntLPEnable** register can be programmed for each interrupt to cause the interrupt to wake-up the ST20-GP6 from power-down mode. The wake-up occurs when the interrupt goes either high or low, depending on the setting of the respective bit in the **IntActiveHigh** register.

IntLPEnable

The **IntLPEnable** register can be set to enable a wake-up from power-down mode when the interrupt occurs.

IntLPEnable		Interrupt level controller base address + #50	Read/Write
Bit	Bit field	Function	
0	Int0LPEnable	Enable external Interrupt0 for low power controller. 0 Interrupt0 masked from the low power controller 1 Interrupt0 enabled to cause a wake-up from power down mode	
1	Int1LPEnable	Enable external Interrupt1 for low power controller. 0 Interrupt1 masked from the low power controller 1 Interrupt1 enabled to cause a wake-up from power down mode	

Table 6.4 **IntLPEnable** register format

IntActiveHigh

The setting of the **IntActiveHigh** register determines whether the wake-up occurs when the interrupt goes high or low, assuming the interrupt has been enabled to cause a wake-up in the **IntLPEnable** register.

IntActiveHigh		Interrupt level controller base address + #4C	Read/Write
Bit	Bit field	Function	
0	Int0ActiveHigh	Interrupt0 set to be active high or low 0 Interrupt0 goes low the ST20-GP6 wakes up from power down mode. 1 Interrupt0 goes high the ST20-GP6 wakes up from power down mode.	
1	Int1ActiveHigh	Interrupt1 set to be active high or low 0 Interrupt1 goes low the ST20-GP6 wakes up from power down mode. 1 Interrupt1 goes high the ST20-GP6 wakes up from power down mode.	

Table 6.5 **IntActiveHigh** register format

7 Instruction set

This chapter provides information on the ST20-C2 instruction set. It contains tables listing all the instructions, and where applicable provides details of the number of processor cycles taken by an instruction.

The instruction set has been designed for simple and efficient compilation of high-level languages. All instructions have the same format, designed to give a compact representation of the operations occurring most frequently in programs.

Each instruction consists of a single byte divided into two 4-bit parts. The four most significant bits (MSB) of the byte are a function code and the four least significant bits (LSB) are a data value, as shown in Figure 7.1.

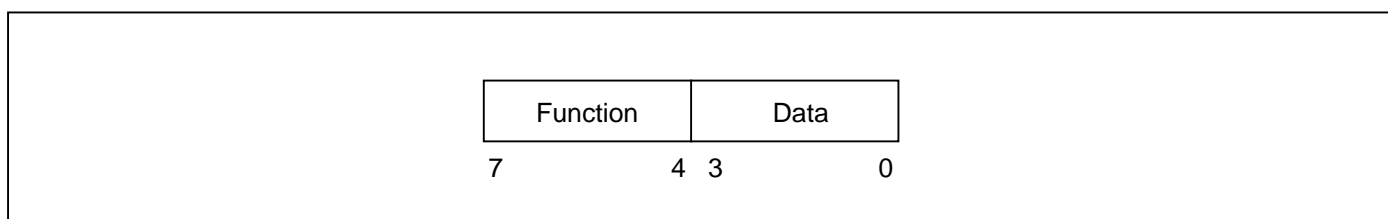


Figure 7.1 Instruction format

For further information on the instruction set refer to the *ST20C2/C4 Instruction Set Manual* (document number 72-TRN-273).

7.1 Instruction cycles

Timing information is available for some instructions. However, it should be noted that many instructions have ranges of timings which are data dependent.

Where included, timing information is based on the number of clock cycles assuming any memory accesses are to 2 cycle internal memory and no other subsystem is using memory. Actual time will be dependent on the speed of external memory and memory bus availability.

Note that the actual time can be increased by:

- 1 the instruction requiring a value on the register stack from the final memory read in the previous instruction – the current instruction will stall until the value becomes available.
- 2 the first memory operation in the current instruction can be delayed while a preceding memory operation completes - any two memory operations can be in progress at any time, any further operation will stall until the first completes.
- 3 memory operations in current instructions can be delayed by access by instruction fetch or subsystems to the memory interface.
- 4 there can be a delay between instructions while the instruction fetch unit fetches and partially decodes the next instruction – this will be the case whenever an instruction causes the instruction flow to jump.

Note that the instruction timings given refer to 'standard' behavior and may be different if, for example, traps are set by the instruction.

7.2 Instruction characteristics

Table 7.3 gives the basic function code of each of the primary instructions. Where the operand is less than 16, a single byte encodes the complete instruction. If the operand is greater than 15, one prefix instruction (*prefix*) is required for each additional four bits of the operand. If the operand is negative the first prefix instruction will be *nfix*. Examples of *prefix* and *nfix* coding are given in Table 7.1.

Mnemonic	Function code	Memory code
<i>ldc</i> #3	#4	#43
<i>ldc</i> #35 is coded as		
<i>prefix</i> #3	#2	#23
<i>ldc</i> #5	#4	#45
<i>ldc</i> #987 is coded as		
<i>prefix</i> #9	#2	#29
<i>prefix</i> #8	#2	#28
<i>ldc</i> #7	#4	#47
<i>ldc</i> -31 (<i>ldc</i> #FFFFFFE1) is coded as		
<i>nfix</i> #1	#6	#61
<i>ldc</i> #1	#4	#41

Table 7.1 Prefix coding

Any instruction which is not in the instruction set tables is an invalid instruction and is flagged illegal, returning an error code to the trap handler, if loaded and enabled.

The **Notes** column of the tables indicates the features of an instruction as described in Table 7.2.

Ident	Feature
E	Instruction can set an <i>IntegerError</i> trap
L	Instruction can cause a <i>LoadTrap</i> trap
S	Instruction can cause a <i>StoreTrap</i> trap
O	Instruction can cause an <i>Overflow</i> trap
I	Interruptible instruction
A	Instruction can be aborted and later restarted.
D	Instruction can deschedule
T	Instruction can timeslice

Table 7.2 Instruction features

7.3 Instruction set tables

Function code	Memory code	Mnemonic	Processor cycles	Name	Notes
0	0X	j	5	jump	D, T
1	1X	ldlp	1	load local pointer	
2	2X	pfix	0 to 1	prefix	
3	3X	ldnl	2	load non-local	
4	4X	ldc	1	load constant	
5	5X	ldnlp	1	load non-local pointer	
6	6X	nfix	0 to 1	negative prefix	
7	7X	ldl	1	load local	
8	8X	adc	1	add constant	O
9	9X	call	8	call	
A	AX	cj	1 or 5	conditional jump	
B	BX	ajw	2	adjust workspace	
C	CX	eqc	1	equals constant	
D	DX	stl	1	store local	
E	EX	stnl	2	store non-local	
F	FX	opr	0	operate	

Table 7.3 Primary functions

Memory code	Mnemonic	Processor cycles	Name	Notes
22FA	testpranal	2	test processor analyzing	
23FE	saveh	3	save high priority queue registers	
23FD	savel	3	save low priority queue registers	
21F8	sthf	1	store high priority front pointer	
25F0	sthb	1	store high priority back pointer	
21FC	stlf	1	store low priority front pointer	
21F7	stlb	1	store low priority back pointer	
25F4	sttimer	2	store timer	
2127FC	lddevid	1	load device identity	
27FE	ldmemstartval	1	load value of MemStart address	

Table 7.4 Processor initialization operation codes

Memory code	Mnemonic	Processor cycles	Name	Notes
24F6	and	1	and	
24FB	or	1	or	
23F3	xor	1	exclusive or	
23F2	not	1	bitwise not	
24F1	shl	1	shift left	
24F0	shr	1	shift right	
F5	add	1	add	A, O
FC	sub	1	subtract	A, O
25F3	mul	4	multiply	A, O
27F2	fmul	6	fractional multiply	A, O
22FC	div	5 to 37	divide	A, O
21FF	rem	5 to 40	remainder	A, O
F9	gt	1	greater than	A
25FF	gtu	1	greater than unsigned	A
F4	diff	1	difference	
25F2	sum	1	sum	
F8	prod	4	product	A
26F8	satadd	2	saturating add	A
26F9	satsub	2	saturating subtract	A
26FA	satmul	5	saturating multiply	A

Table 7.5 Arithmetic/logical operation codes

Memory code	Mnemonic	Processor cycles	Name	Notes
21F6	ladd	2	long add	A, O
23F8	lsub	2	long subtract	A, O
23F7	lsum	2	long sum	
24FF	ldiff	2	long diff	
23F1	lmul	5 to 6	long multiply	A
21FA	ldiv	5 to 39	long divide	A, O
23F6	lshl	2	long shift left	A
23F5	lshr	2	long shift right	A
21F9	norm	2 to 5	normalize	A
26F4	slmul	5	signed long multiply	A, O
26F5	sulmul	5	signed times unsigned long multiply	A, O

Table 7.6 Long arithmetic operation codes

Memory code	Mnemonic	Processor cycles	Name	Notes
F0	rev	1	reverse	
23FA	xword	4	extend to word	A
25F6	cword	3	check word	A, E
21FD	xdbl	2	extend to double	
24FC	csngl	3	check single	A, E
24F2	mint	1	minimum integer	
25FA	dup	1	duplicate top of stack	
27F9	pop	1	pop processor stack	
68FD	reboot	1	reboot	

Table 7.7 General operation codes

Memory code	Mnemonic	Processor cycles	Name	Notes
F2	bsub	1	byte subscript	
FA	wsub	1	word subscript	
28F1	wsubdb	1	form double word subscript	
23F4	bcnt	1	byte count	
23FF	wcnt	1	word count	
F1	lb	1	load byte	
23FB	sb	2	store byte	
24FA	move		move message	I

Table 7.8 Indexing/array operation codes

Memory code	Mnemonic	Processor cycles	Name	Notes
22F2	ldtimer	1	load timer	
22FB	tin		timer input	I
24FE	talt	3	timer alt start	
25F1	taltwt		timer alt wait	D, I
24F7	enbt	2 to 8	enable timer	
22FE	dist		disable timer	I

Table 7.9 Timer handling operation codes

Memory code	Mnemonic	Processor cycles	Name	Notes
F7	in		input message	D
FB	out		output message	D
FF	outword		output word	D
FE	outbyte		output byte	D
24F3	alt	2	alt start	
24F4	altwt	4 to 7	alt wait	D
24F5	altend	9	alt end	
24F9	enbs	1 to 2	enable skip	
23F0	diss	1	disable skip	
21F2	resetch	3	reset channel	
24F8	enbc	2 to 5	enable channel	
22FF	disc	2 to 7	disable channel	

Table 7.10 Input and output operation codes

Memory code	Mnemonic	Processor cycles	Name	Notes
22F0	ret	3	return	
21FB	ldpi	1	load pointer to instruction	
23FC	gajw	3	general adjust workspace	
F6	gcall	6	general call	
22F1	lend	5 to 8	loop end	T

Table 7.11 Control operation codes

Memory code	Mnemonic	Processor cycles	Name	Notes
FD	startp	5	start process	
F3	endp	4 to 6	end process	D
23F9	runp	3	run process	
21F5	stopp	2	stop process	
21FE	ldpri	1	load current priority	

Table 7.12 Scheduling operation codes

Memory code	Mnemonic	Processor cycles	Name	Notes
21F3	csub0	2	check subscript from 0	A, E
24FD	ccnt1	3	check count from 1	A, E
22F9	testerr	2	test error false and clear	
21F0	seterr	2	set error	
25F5	stoperr	2 to 3	stop on error (no error)	D
25F7	clrhalterr	1	clear halt-on-error	
25F8	sethalterr	1	set halt-on-error	
25F9	testhalterr	2	test halt-on-error	

Table 7.13 Error handling operation codes

Memory code	Mnemonic	Processor cycles	Name	Notes
25FB	move2dinit	3	initialize data for 2D block move	
25FC	move2dall		2D block copy	I
25FD	move2dnonzero		2D block copy non-zero bytes	I
25FE	move2dzero		2D block copy zero bytes	I

Table 7.14 2D block move operation codes

Memory code	Mnemonic	Processor cycles	Name	Notes
27F4	crcword	36	calculate crc on word	A
27F5	crcbyte	12	calculate crc on byte	A
27F6	bitcnt	3	count bits set in word	A
27F7	bitrevword	2	reverse bits in word	
27F8	bitrevnbits	2	reverse bottom n bits in word	A

Table 7.15 CRC and bit operation codes

Memory code	Mnemonic	Processor cycles	Name	Notes
27F3	cflerr	3	check floating point error	E
29FC	fpsterr	1	load value true (FPU not present)	
26F3	unpacksn	10	unpack single length floating point number	A
26FD	roundsn	7	round single length floating point number	A
26FC	postnormsn	9	post-normalize correction of single length floating point number	A
27F1	ldinf	1	load single length infinity	

Table 7.16 Floating point support operation codes

Memory code	Mnemonic	Processor cycles	Name	Notes
2CF7	cir	3	check in range	A, E
2CFC	ciru	3	check in range unsigned	A, E
2BFA	cb	3	check byte	A, E
2BFB	cbu	2	check byte unsigned	A, E
2FFA	cs	3	check sixteen	A, E
2FFB	csu	2	check sixteen unsigned	A, E
2FF8	xsword	3	sign extend sixteen to word	A
2BF8	xbword	3	sign extend byte to word	A

Table 7.17 Range checking and conversion instructions

Memory code	Mnemonic	Processor cycles	Name	Notes
2CF1	ssub	1	sixteen subscript	
2CFA	ls	1	load sixteen	
2CF8	ss	2	store sixteen	
2BF9	lby	1	load byte and sign extend	
2FF9	lsx	1	load sixteen and sign extend	

Table 7.18 Indexing/array instructions

Memory code	Mnemonic	Processor cycles	Name	Notes
2FF0	devlb	3	device load byte	A
2FF2	devls	3	device load sixteen	A
2FF4	devlw	3	device load word	A
62F4	devmove		device move	I
2FF1	devsb	3	device store byte	A
2FF3	devss	3	device store sixteen	A
2FF5	devsw	3	device store word	A

Table 7.19 Device access instructions

Memory code	Mnemonic	Processor cycles	Name	Notes
60F5	wait	5 to 11	wait	D
60F4	signal	7 to 12	signal	

Table 7.20 Semaphore instructions

Memory code	Mnemonic	Processor cycles	Name	Notes
60F0	swapqueue	4	swap scheduler queue	
60F1	swaptimer	5	swap timer queue	
60F2	insertqueue	3 to 4	insert at front of scheduler queue	
60F3	timeslice	3 to 4	timeslice	
60FC	ldshadow	6 to 31	load shadow registers	A
60FD	stshadow	6 to 17	store shadow registers	A
62FE	restart	20	restart	
62FF	causeerror	7 to 8	cause error	
61FF	iret	3 to 11	interrupt return	
2BF0	settimeslice	2	set timeslicing status	
2CF4	intdis	2	interrupt disable	
2CF5	intenb	2	interrupt enable	
2CFD	gintdis	5	global interrupt disable	
2CFE	gintenb	5	global interrupt enable	

Table 7.21 Scheduling support instructions

Memory code	Mnemonic	Processor cycles	Name	Notes
26FE	ldtraph	12	load trap handler	L
2CF6	ldtrapped	12	load trapped process status	L
2CFB	sttrapped	12	store trapped process status	S
26FF	sttraph	12	store trap handler	S
60F7	trapenb	4	trap enable	
60F6	trapdis	4	trap disable	
60FB	tret	8 to 10	trap return	

Table 7.22 Trap handler instructions

Memory code	Mnemonic	Processor cycles	Name	Notes
68FC	ldprodid	1	load product identity	
63F0	nop	1	no operation	

Table 7.23 Processor initialization and no operation instructions

Memory code	Mnemonic	Processor cycles	Name	Notes
64FF	clockenb	2	clock enable	
64FE	clockdis	2	clock disable	
64FD	ldclock	2	load clock	
64FC	stclock	2	store clock	

Table 7.24 Clock instructions

8 Memory map

The ST20-GP6 processor memory has a 32-bit signed address range. Words are addressed by 30-bit word addresses and a 2-bit byte-selector identifies the bytes in the word. Memory is divided into 4 banks which can each have different memory characteristics and can be used for different purposes. In addition, on-chip peripherals can be accessed via the device access instructions (see Table 7.19). The bottom 16 Kbytes of the internal SRAM are powered from the battery backup supply.

Various memory locations at the bottom and top of memory are reserved for special system purposes. There is also a default allocation of memory banks to different uses.

Note that the ST20-GP6 uses 30 bits of addressing internally, but addresses A20-A29 are not brought out to external pins. Address bits A30 and A31 are decoded internally for use as bank selects.

8.1 System memory use

The ST20-GP6 has a signed address space where the address ranges from **MinInt** (#80000000) at the bottom to **MaxInt** (#7FFFFFFF) at the top. The ST20-GP6 has an area of 64 Kbytes of SRAM at the bottom of the address space provided by on chip memory. The bottom of this area is used to store various items of system state. These addresses should not be accessed directly but via the appropriate instructions.

Near the bottom of the address space there is a special address **MemStart**. Memory above this address is for use by user programs while addresses below it are for private use by the processor and used for subsystem channels and trap handlers. The address of **MemStart** can be obtained via the *ldmemstartval* instruction.

8.1.1 Subsystem channels memory

Each DMA channel between the processor and a subsystem is allocated a word of storage below **MemStart**. This is used by the processor to store information about the state of the channel. This information should not normally be examined directly, although debugging kernels may need to do so.

8.1.2 Trap handlers memory

The area of memory reserved for trap handlers is broken down hierarchically. Full details on trap handlers is given in see Section 4.6 on page 23.

- Each high/low process priority has a set of trap handlers.
- Each set of trap handlers has a handler for each of the four trap groups (refer to Section 4.6.1).
- Each trap group handler has a trap handler structure and a trapped process structure.
- Each of the structures contains four words, as detailed in Section 4.6.3.

The contents of these addresses can be accessed via *ldtraph*, *sttraph*, *ldtrapped* and *sttrapped* instructions.

8.2 Boot ROM

There is 128K bytes of mask ROM on-chip. This is mapped to the upper 128K of bank 3 (addresses #7FFE0000 to #7FFFFFFF).

If mask ROM is not programmed, internal ROM is disabled and external ROM is used.

When the processor boots from ROM, it jumps to a boot program held in ROM with an entry point 2 bytes from the top of memory at #7FFFFFFE. These 2 bytes are used to encode a negative jump of up to 256 bytes down in the ROM program. For large ROM programs it may then be necessary to encode a longer negative jump to reach the start of the routine.

8.3 Internal peripheral space

On-chip peripherals are mapped to addresses in the address range #00000000 to #3FFFFFFF). They can only be accessed by the device access instructions (see Table 7.19). When used with addresses in this range, the device instructions access the on-chip peripherals rather than external memory. For all other addresses the device instructions access memory. Standard load/store instructions to these addresses will access external memory.

Each on-chip peripheral occupies a 4K block, see the following memory map.

	ADDRESS	USE	MEMORY BANK	
MaxInt BootEntry	#7FFFFFFF		Bank 3	
	#7FFFFFFE			
	↑ #40000000	User code and boot ROM		
	↑ #2000E000	RESERVED		
	↑ #2000C000	DSP controller peripheral (registers accessed via CPU device accesses)	Bank 2	
	↑ #2000A000	PIO B controller peripheral (registers accessed via CPU device accesses)		
	↑ #20008000	PIO A controller peripheral (registers accessed via CPU device accesses)		
	↑ #20006000	ASC1 controller peripheral (registers accessed via CPU device accesses)		
	↑ #20004000	ASC0 controller peripheral (registers accessed via CPU device accesses)		
	↑ #20002000	Real-time clock/watchdog timer peripheral (registers accessed via CPU device accesses)		
	↑ #20001000	Interrupt level controller peripheral (registers accessed via CPU device accesses)		
	↑ #20000000	Interrupt and low power controller peripheral (registers accessed via CPU device accesses)		
	↑ #00004000	RESERVED		
	↑ #00003000	Diagnostic controller(registers accessed via CPU device accesses)		
	↑ #00002000	External memory interface(registers accessed via CPU device accesses)		
	↑ #00000000	RESERVED		
	↑ #C0000000			Bank 1
<i>Start of external memory</i>	↑ #81000000	User code/Data/Stack		Bank 0
MemStart	↑ #80000140			
	#80000130	Low priority Scheduler trapped process		
	#80000120	Low priority Scheduler trap handler		
	#80000110	Low priority SystemOperations trapped process		
	#80000100	Low priority SystemOperations trap handler		
	#800000F0	Low priority Error trapped process		
	#800000E0	Low priority Error trap handler		
	#800000D0	Low priority Breakpoint trapped process		
	#800000C0	Low priority Breakpoint trap handler		
	#800000B0	High priority Scheduler trapped process		
	#800000A0	High priority Scheduler trap handler		

Figure 8.1 ST20-GP6 internal peripheral map

	ADDRESS	USE	MEMORY BANK
TrapBase	#80000090	High priority SystemOperations trapped process	Bank 0
	#80000080	High priority SystemOperations trap handler	
	#80000070	High priority Error trapped process	
	#80000060	High priority Error trap handler	
	#80000050	High priority Breakpoint trapped process	
	#80000040	High priority Breakpoint trap handler	
	#8000003C	RESERVED	
	↑		
	#8000001C		
		#80000018	
	#80000014	DSP module DMA channel	
	#80000010	RESERVED	
	#8000000C		
	#80000008		
	#80000004		
MinInt	#80000000		

Figure 8.1 ST20-GP6 internal peripheral map

9 Memory subsystem

The memory system consists of SRAM and a programmable memory interface. The specific details on the operation of the memory interface are described separately in Chapter 10.

9.1 SRAM

There is an internal memory module of 64 Kbytes of SRAM. The internal SRAM is mapped into the base of the memory space from **MinInt** (#80000000) extending upwards.

This memory can be used to store on-chip data, stack or code for time critical routines.

Optional external RAM, if fitted, is addressed from #81000000.

9.2 ROM

There is 128 Kbytes of on-chip ROM for application code.

10 Programmable memory interface

The ST20-GP6 programmable memory interface has a 16 bit data bus and provides glueless support for up to four banks of SRAM memory. Sufficient configuration options are provided to enable the interface to be used with a wide variety of SRAM speeds, permitting systems to be built with optimum price/performance trade-offs.

The programmable memory interface is also referred to as the external memory interface (EMI). The EMI provides configuration information for four independent banks of external memory devices. The addresses of these bank boundaries are hard wired to give each bank one quarter of the address space of the machine. Bank 0 occupies the lowest quarter of the [signed] address space, bank 3 is the highest, see Figure 10.1.

The configuration is held in memory mapped registers within the EMI. Each bank has 64 bits to hold configuration data. This data is accessed as four 16-bit accesses.

The EMI configuration software ensures that the configuration of a bank is consistent and works with all devices in the bank before any access to that bank.

Default configurations on start-up (see “Default configuration” on page 65) allow the slowest memory to be accessed.

Four configuration control registers (one for each bank) are provided which allow the configuration data registers to be locked. This prevents an accidental overwrite from destroying the emi configuration. A configuration status register is also provided to show which banks have been locked and which banks have been configured.

The memory map for the configuration registers within the EMI contains 16 x 16-bit data registers each located at word boundary, plus four lock control registers and a global register for status information.

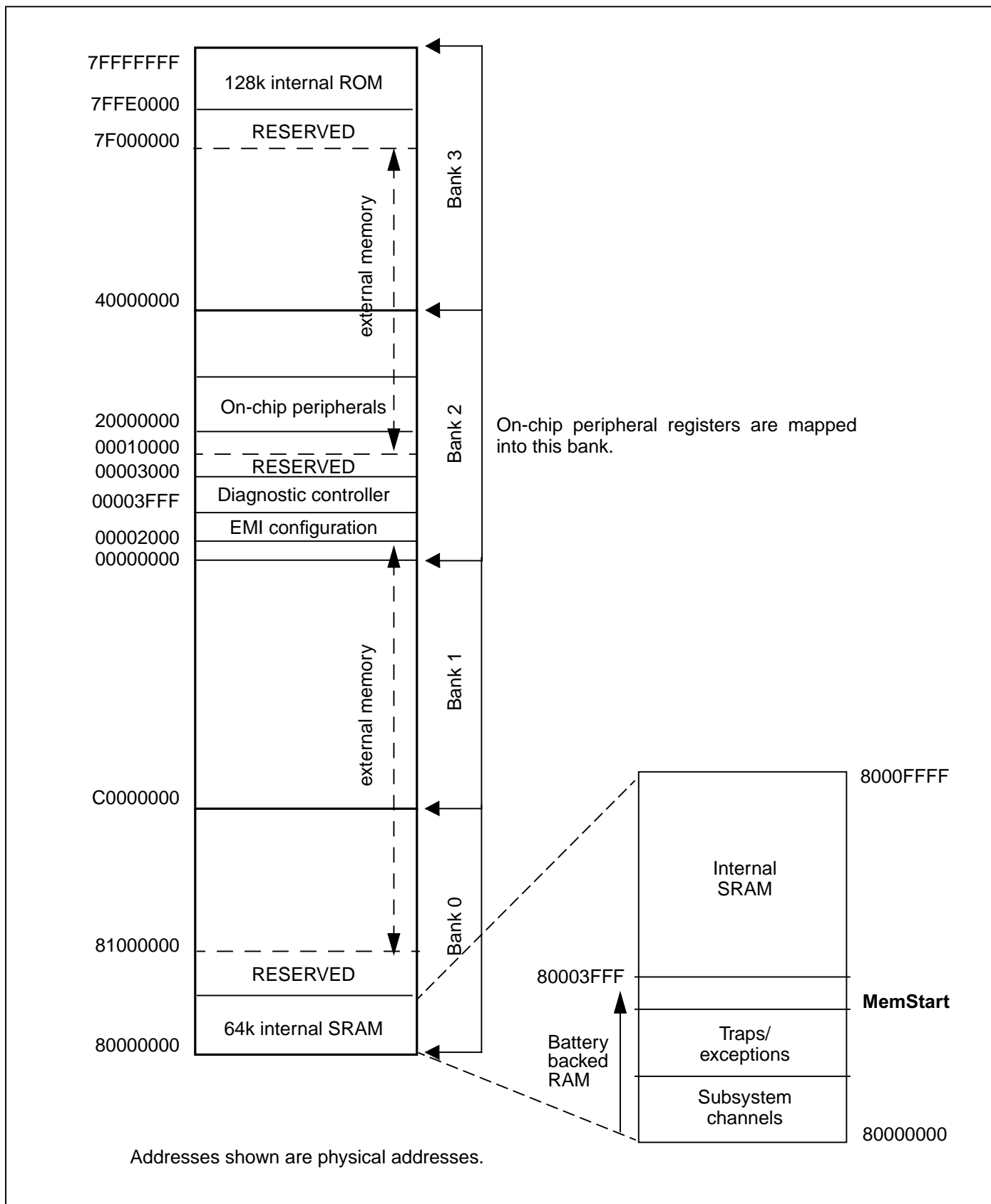


Figure 10.1 Memory allocation

10.1 EMI signal descriptions

The following section describes the functions of the EMI pins. Note that a signal name prefixed by **not** indicates active low.

MemAddr1-19

External address bus. The ST20-GP6 uses 30 bits of addressing internally but only the bottom 18 bits are brought out to external pins (**MemAddr2-19**); **MemAddr1** is generated by the EMI. **MemAddr1-19** is valid and constant for the whole duration of an external access. The memory locations in each bank can be accessed at multiple addresses, as bits 20-29 are ignored when making external accesses.

MemData0-15

External data bus. The data bus may be configured to be either 8 or 16 bits wide on a per bank basis. **MemData0** is always the least significant bit. **MemData7** is the most significant bit in 8-bit mode and **MemData15** is the most significant bit in 16-bit mode. When performing a write access to a bank configured to be 8-bits wide, **MemData8-15** are held in a high-impedance state for the duration of the access; **MemData0-7** behave according to the configuration parameters as specified in Section 10.4. When making a write to a bank configured to be 16-bits wide, **MemData0-15** behave according to the configuration parameters.

notMemCE0-3

Chip enable strobes, one per bank. The **notMemCE0-3** strobe corresponding to the bank being accessed will be active on both reads and writes to that bank.

notMemOE0

Output enable strobe. This strobe is shared between all four banks. The **notMemOE0** strobe will be active only on reads to the bank.

notMemBE0-1

Byte enable strobes to select bytes within a 16-bit half-word. These strobes are shared between all four banks. **notMemBE0** always corresponds to data on **MemData0-7** whether the bus is currently 8 or 16 bits wide. When the EMI is accessing a bank configured to be 16 bits wide, **notMemBE1** corresponds to **MemData8-15**. When the EMI is accessing a bank configured to be 8 bits wide, **notMemBE1** becomes address bit 0 and follows the timing of **MemAddr1-19** for that bank.

MemWait

Halt external access. The EMI samples **MemWait** at or just after the midpoint of an access. If **MemWait** is sampled high, the access is stalled. **MemWait** will then continue to be sampled and the access proceeds when **MemWait** is sampled low. The action of **MemWait** may be disabled by software, see Section 10.3. No mechanism is provided to abort an access; if **MemWait** is held high too long the EMI will become a contentious resource and may stall the ST20-GP6.

MemReadnotWrite

The **MemReadnotWrite** pin indicates if the current access is a read or a write.

BusWidth

This signal is sampled immediately after reset and determines the initial bus width of all banks after reset.

BusWidth	Meaning
0	16-bit external bus on reset.
1	8-bit external bus on reset.

Table 10.1 BusWidth encoding

10.2 External accesses

Figure 10.2 shows the generic EMI activity during an access and the configurable parameters are given in Table 10.2.

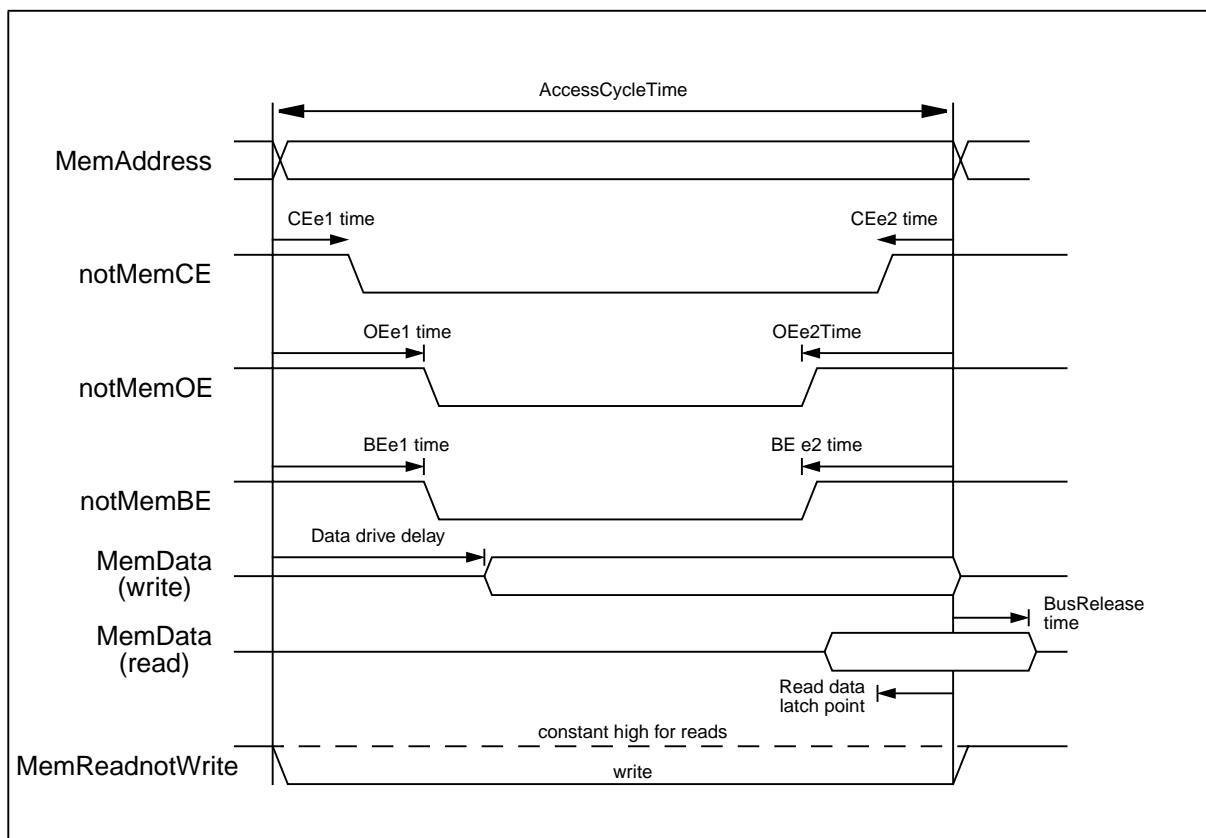


Figure 10.2 Generic access

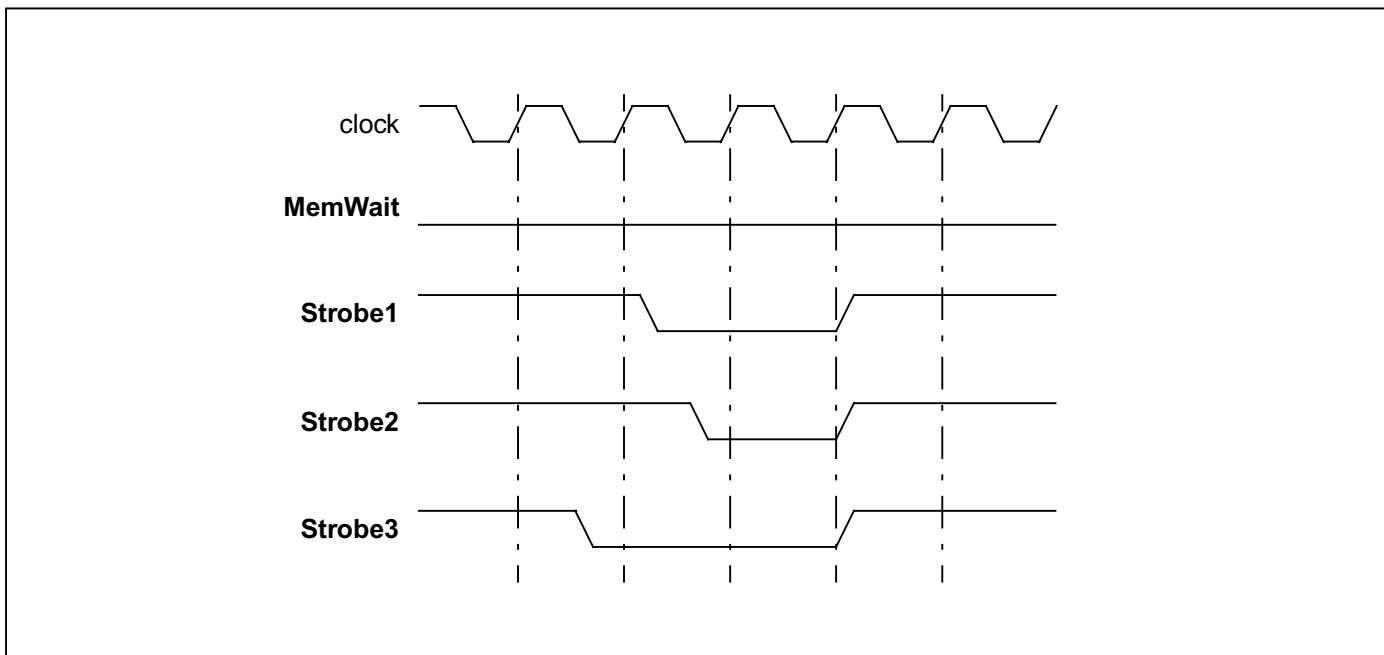
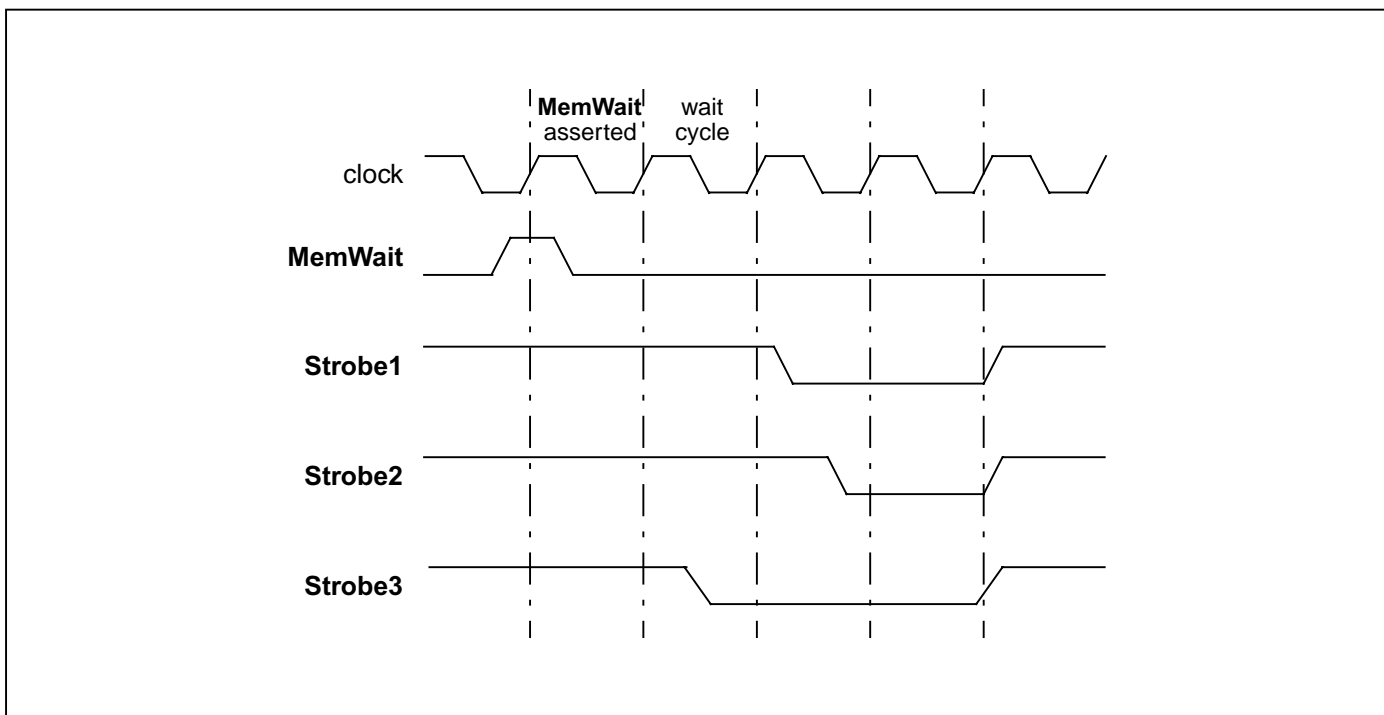
Name	Programmable value	16.368 MHz	32.736 MHz
AccessTime	2 cycles + 0 to 15 cycles	122 to 1039 ns	61 to 519 ns
BusRelease-Time	0 to 3 cycles	0 to 183 ns	0 to 92 ns
DataDriveDelay	0 to 7 phases after start of access cycle	0 to 214 ns	0 to 107 ns
CEe1Time	Falling edge of CE: 0 to 3 phases after start of access cycle	0 to 92 ns	0 to 46 ns
CEe2Time	Rising edge of CE: 0 to 3 phases before end of access cycle	0 to 92 ns	0 to 46 ns
OEe1Time	Falling edge of OE: 0 to 3 phases after start of access cycle	0 to 92 ns	0 to 46 ns
OEe2Time	Rising edge of OE: 0 to 3 phases before end of access cycle.	0 to 92 ns	0 to 46 ns
BEe1Time	Falling edge of BE: 0 to 3 phases after start of access cycle	0 to 92 ns	0 to 46 ns
BEe2Time	Rising edge of BE: 0 to 3 phases before end of access cycle	0 to 92 ns	0 to 46 ns
LatchPoint	0 = 1 cycle before end of access cycle. 1 = end of access cycle.	0 to 61 ns	0 to 30 ns

Table 10.2 Parameters for generic access

10.3 MemWait

The **MemWait** pin is sampled on each processor clock cycle during accesses to banks. In cycles when it is sampled high, the external access is halted and the strobe state does not change. **MemWait** suspends the state of the EMI in the cycle after it is sampled high. The state remains suspended until **MemWait** is sampled low. Any strobe edges scheduled to occur in the cycle after **MemWait** is sampled will not occur. Strobe edges scheduled to occur on the same edge as **MemWait** is sampled are not affected. Figure 10.3 and Figure 10.4 show the extension of the external memory cycle and the delaying of strobe transitions. Note, the clock shown in the figures is the internal on-chip clock and is provided as a guide to show the minimum setup time of **MemWait** relative to the strobes.

Note that **MemWait** is ignored if it is sampled high on the last cycle of the access.

Figure 10.3 Strobe activity without **MemWait**Figure 10.4 Strobe activity with **MemWait**

Note, **Strobe** refers to the EMI strobe signals **notMemOE**, **notMemCE** and **notMemBE**.

10.4 EMI configuration registers

The following is a summary of the configuration registers format. Times are programmed in cycles or phases: a cycle is one clock cycle, a phase is half a clock cycle.

There are 4 data configuration registers for each of the EMI banks. The base addresses for the EMI registers is #00002000.

EMIConfigData0Bank0-3

The **EMIConfigData0Bank0-3** registers contain configuration data for each of the EMI banks. The format of each of the **EMIConfigData0** registers is shown in Table 10.3.

EMIConfigData0Bank0-3		EMI base address + #00, #10, #20, #30	Read/Write
Bit	Bit field	Function	Units
2:0	DeviceType	Device type. Sets the format of the configuration register. This must be set to 001 on the ST20-GP6. 001 = SRAM/peripheral	-
4:3	Portsize	Port size 00 = reserved 01 = reserved 10 = 16 bit 11 = 8 bit	-
6:5	BEactive	notMemBE active, see Table 10.4 below.	-
8:7	OEactive	notMemOE active, see Table 10.4 below.	-
10:9	CEactive	notMemCE active, see Table 10.4 below.	-
12:11	BusReleaseTime	Duration bus release time. 0 to 3 cycles	Cycles
15:13	DataDriveDelay	Drive delay of data bus for writes. 0 to 7 phases	Phases

Table 10.3 **EMIConfigData0** register format - 1 per bank

CE/OE/BE ActiveCode	Strobe activity
00	Inactive
01	Active during read only
10	Active during write only
11	Active during read and write

Table 10.4 Strobe configuration

EMIConfigData1Bank0-3

The **EMIConfigData1Bank0-3** registers contain configuration data for each of the EMI banks. The format of each of the **EMIConfigData1** registers is shown in Table 10.5.

EMIConfigData1Bank0-3		EMI base address + #04, #14, #24, #34	Read/Write
Bit	Bit field	Function	Units
1:0	BEE2TimeRead	Rising edge of notMemBE . 0 to 3 phases before end of access cycle	Phases
3:2	BEE1TimeRead	Falling edge of notMemBE . 0 to 3 phases after start of access cycle	Phases
5:4	OEE2TimeRead	Rising edge of notMemOE . 0 to 3 phases before end of access cycle	Phases
7:6	OEE1TimeRead	Falling edge of notMemOE . 0 to 3 phases after start of access cycle	Phases
9:8	CEE2TimeRead	Rising edge of notMemCE . 0 to 3 phases before end of access cycle	Phases
11:10	CEE1TimeRead	Falling edge of notMemCE . 0 to 3 phases after start of access cycle	Phases
15:12	AccessTimeRead	2 cycles + 0 to 15 cycles	Cycles

Table 10.5 **EMIConfigData1** register format - 1 per bank

EMIConfigData2Bank0-3

The **EMIConfigData2Bank0-3** registers contain configuration data for each of the EMI banks. The format of each of the **EMIConfigData2** registers is shown in Table 10.6.

EMIConfigData2Bank0-3		EMI base address + #08, #18, #28, #38	Read/Write
Bit	Bit field	Function	Units
1:0	BEE2TimeWrite	Rising edge of notMemBE . 0 to 3 phases before end of access cycle	Phases
3:2	BEE1TimeWrite	Falling edge of notMemBE . 0 to 3 phases after start of access cycle	Phases
5:4	OEE2TimeWrite	Rising edge of notMemOE . 0 to 3 phases before end of access cycle	Phases
7:6	OEE1TimeWrite	Falling edge of notMemOE . 0 to 3 phases after start of access cycle	Phases
9:8	CEE2TimeWrite	Rising edge of notMemCE . 0 to 3 phases before end of access cycle	Phases
11:10	CEE1TimeWrite	Falling edge of notMemCE . 0 to 3 phases after start of access cycle	Phases
15:12	AccessTimeWrite	2 cycles + 0 to 15 cycles	Cycles

Table 10.6 **EMIConfigData2** register format - 1 per bank

EMIConfigData3Bank0-3

The **EMIConfigData2Bank0-3** registers contain configuration data for each of the EMI banks. The format of each of the **EMIConfigData3** registers is shown in Table 10.7.

EMIConfigData3Bank0-3		EMI base address + #0C, #1C, #2C, #3C	Read/Write
Bit	Bit field	Function	
0	LatchPoint	Position of latch point in cycle. 0 = 1 cycle before end of access cycle 1 = end of access cycle	
15:1		Reserved, write 0.	

Table 10.7 **EMIConfigData3** register format - 1 per bank

EMIConfigLockBank0-3 registers

The **EMIConfigLockBank0-3** registers (one for each bank) allow the configuration data registers to be locked. This prevents an accidental overwrite from destroying the emi configuration.

A system reset clears these registers.

EMIConfigLockBank0-3		EMI base address + #40, #44, #48, #4C	Write only
Bit	Bit field	Function	
0	ConfigLock	Write protection bit. When set, EMIConfigData0-3 for the bank is read only.	

Table 10.8 **EMIConfigLock** register format - 1 per bank

EMIConfigStatus register

The **EMIConfigStatus** register is provided to indicate which registers have been written to and the status of the lock bits. Table 10.9 shows the format of the **EMIConfigStatus** register.

EMIConfigStatus		EMI base address + #50	Read only
Bit	Bit field	Function	
0	WrittenBank0	Bank 0 configuration data registers have been written to.	
1	WrittenBank1	Bank 1 configuration data registers have been written to.	
2	WrittenBank2	Bank 2 configuration data registers have been written to.	
3	WrittenBank3	Bank 3 configuration data registers have been written to.	
4	WriteLockBank0	EMIConfigData0-3Bank0 registers are write protected.	
5	WriteLockBank1	EMIConfigData0-3Bank1 registers are write protected.	
6	WriteLockBank2	EMIConfigData0-3Bank2 registers are write protected.	
7	WriteLockBank3	EMIConfigData0-3Bank3 registers are write protected.	

Table 10.9 **EMIConfigStatus** register format

10.5 Boot source

The CPU boots from ROM, unless the diagnostic control unit (DCU) is configured (via the TAP) to start in diagnostic mode: in which case code is loaded, and the CPU booted, via the DCU.

10.6 Default configuration

The default configuration is loaded into all four banks on reset. It allows the EMI to read data from a slow ROM memory. The default parameters are given in Table 10.10.

Parameter	Default value
DataDriveDelay	101 (5 phases)
BusReleaseTime	10 (2 cycles)
CEactive	01 (active during read only)
OEactive	01 (active during read only)
BEactive	00 (inactive)
Portsize	Determined by the BusWidth signal
DeviceType	001 (SRAM/peripheral)
AccessTimeRead	1000 (8+2=10 cycles)
CEe1TimeRead	00 (0 phases)
CEe2TimeRead	00 (0 phases)
OEe1TimeRead	00 (0 phases)
OEe2TimeRead	00 (0 phases)
LatchPoint	0 (1 cycle before end of access cycle)

Table 10.10 Default configuration

11 Low power controller

11.1 Low power control

The ST20-GP6 is designed for 0.35 micron, 3.3V CMOS technology and runs at speeds of up to 50 MHz. 3.3V operation provides reduced power consumption internally and allows the use of low power peripherals. In addition, to further enhance the potential for battery operation, a low power power-down mode is available.

The different power levels of the ST20-GP6 are listed below.

- Operating power — power consumed during functional operation.
- Stand-by power — power consumed during little or no activity. The CPU is idle but ready to immediately respond to an interrupt/reschedule.
- Power-down — internal clocks are stopped and power consumption is significantly reduced. Functional operation is stalled. Normal functional operation can be resumed from previous state as soon as the clocks are stable. All internal logic is static so no information is lost during power down.
- Power to most of the chip removed — only the real time clock supply (**RTCVDD**) power on.

11.1.1 Power-down mode

Power-down mode can be achieved in one of two ways, as listed below.

- Availability of direct clock input — this allows external control of clocking directly and thus direct control of power consumption.
- Internal global system clock may be stopped — in this case the external clock remains running. This mechanism allows the PLL to be kept running (if desired) so that wake up from low power mode will be fast.

The low power timer and alarm are provided to control the duration for which the global clock generation is stopped during low power mode. The timer and alarm registers can be set by the device store instructions and read by the device load instructions.

The ST20-GP6 enters power-down when:

- the low power alarm is programmed and started, via configuration registers, providing there are no interrupts pending.

The ST20-GP6 exits power-down when:

- there is specific external pin activity (**Interrupt** pin);
- the low power alarm counter reaches zero.

In power-down mode the processor and all peripherals are stopped, including the external memory controller and optionally the PLL. Effectively the internal clock is stopped and functional operation is stalled. On restart the clock is restarted and the chip resumes normal functional operation.

Low power timer

The timer keeps track of real time, even when the internal clocks are stopped. The timer is a 64-bit counter which runs off an external clock (**LowPowerClockIn**). This clock rate must not be more than one eighth of the system clock rate.

Low power alarm

There is also a 40-bit low power alarm counter. A write to the **LPAlarmStart** register starts the low power alarm counter and the ST20-GP6 enters low power mode. When the counter has counted down to zero, assuming no other valid wake-up sources occur first, the ST20-GP6 exits low power mode and the global clocks are turned back on. Whilst the clocks are turned off the **LowPowerStatus** pin is high, otherwise it is low.

11.2 Low power configuration registers

The low power controller is allocated a 4k block of memory in the internal peripheral address space. Information on low power mode is stored in registers as detailed in the following section. The registers can be examined and set by the *devlw* (device load word) and *devsw* (device store word) instructions, see Table 7.19 on page 49. Note, they can not be accessed using memory instructions.

LPTimerLS and LPTimerMS

The **LPTimerLS** and **LPTimerMS** registers are the least significant word and most significant word of the **LPTimer** register. This enables the least significant or most significant word to be written independently without affecting the other word.

LPTimerLS		LPC base address + #400	Read/Write
Bit	Bit field	Function	
31:0	LPTimerLS	Least significant word of the low power timer.	

Table 11.1 **LPTimerLS** register format

LPTimerMS		LPC base address + #404	Read/Write
Bit	Bit field	Function	
31:0	LPTimerMS	Most significant word of the low power timer.	

Table 11.2 **LPTimerMS** register format

When the **LPTimer** register is written, the low power timer is stopped and the new value is available to be written to the low power timer.

LPTimerStart

A write to the **LPTimerStart** register starts the low power timer counter. The counter is stopped and the **LPTimerStart** register reset if either counter word (**LPTimerLS** and **LPTimerMS**) is written.

Note, setting the **LPTimerStart** register to zero does not stop the timer.

LPTimerStart		LPC base address + #408	Write
Bit	Bit field	Function	
0	LPTimerStart	A write to this bit starts the low power timer counter.	

Table 11.3 **LPTimerStart** register format

LPAalarmLS and LPAalarmMS

The **LPAalarmLS** and **LPAalarmMS** registers are the least significant word and most significant word of the **LPAalarm** register. This is used to program the low power alarm.

LPAalarmLS		LPC base address + #410	Read/Write
Bit	Bit field	Function	
31:0	LPAalarmLS	Least significant word of the low power alarm.	

Table 11.4 **LPAalarmLS** register format

LPAalarmMS		LPC base address + #414	Read/Write
Bit	Bit field	Function	
7:0	LPAalarmMS	Most significant word of the low power alarm.	

Table 11.5 **LPAalarmMS** register format

LPAalarmStart

A write to the **LPAalarmStart** register starts the low power alarm counter. The counter is stopped and the **LPStart** register reset if either counter word (**LPTimerLS** and **LPTimerMS**) is written.

LPAalarmStart		LPC base address + #418	Write
Bit	Bit field	Function	
0	LPAalarmStart	A write to this bit starts the low power alarm counter.	

Table 11.6 **LPAalarmStart** register format

LPSysPll

The **LPSysPll** register controls the System Clock PLL operation when low power mode is entered. This allows a compromise between wake-up time and power consumption during stand-by.

LPSysPll		LPC base address + #420	Read/Write										
Bit	Bit field	Function											
1:0	LPSysPll	Determines the system clock PLL when low power mode is entered, as follows: <table border="0" style="margin-left: 20px;"> <tr> <td>LPSysPll1:0</td> <td>System clock</td> </tr> <tr> <td>00</td> <td>PLL off</td> </tr> <tr> <td>01</td> <td>PLL reference on and power on</td> </tr> <tr> <td>10</td> <td>PLL reference on and power on</td> </tr> <tr> <td>11</td> <td>PLL on</td> </tr> </table>		LPSysPll1:0	System clock	00	PLL off	01	PLL reference on and power on	10	PLL reference on and power on	11	PLL on
LPSysPll1:0	System clock												
00	PLL off												
01	PLL reference on and power on												
10	PLL reference on and power on												
11	PLL on												

Table 11.7 **LPSysPll** register format

SysRatio

The **SysRatio** register is a read only register and gives the speed at which the system PLL is running. It contains the relevant PLL multiply ratio when using the PLL, or contains the value '1' when in **TimesOneMode** for the PLL.

SysRatio		LPC base address + #500	Read
Bit	Bit field	Function	
1:0	SysRatio	PLL speed, as follows: SysRatio PLL 0 x4 RESERVED 1 x1 16.368 MHz 2 x2 32.736 MHz 3 x3 49.104 MHz	

Table 11.8 **SysRatio** register format

12 Real time clock and watchdog timer

This chapter specifies the real time clock-calendar (RTC) and watchdog timer (WDT) module for the ST20-GP6.

The RTC provides a set of continuously running counters which can be used, with suitable software, to provide a clock-calendar function. The counter values can be written to set the current time/data. The RTC is clocked by the 32,768 Hz low power clock input and has a separate power supply so that it can continue to run when the rest of the chip is powered down.

The WDT provides a fail-safe mechanism to reset the chip if the software fails to clear a counter within a given period.

12.1 Power supplies

There are two supply voltages to the ST20-GP6, these are: the normal operating supply, **VDD**, and the battery back-up supply, **RTCVDD**.

The RTC/WDT and the oscillator are powered by **RTCVDD** to enable the RTC contents to be maintained at minimal power consumption.

12.2 Real time clock

The RTC contains two counters: a 30 bit milliseconds counter and a 16 bit weeks counter. This allows large time values to be represented to high accuracy.

These counters are not reset as the RTC must run continuously.

12.2.1 RTC counters

The milliseconds counter increments at 1.024KHz. Thus, the value does not actually represent milliseconds — this must be taken into account by any software using it. The milliseconds counter is modulo the number of milliseconds in 1 week, or 619,315,200 — i.e. 1024 (one second) X 60 (one minute) X 60 (one hour) X 24 (one day) X 7 (one week).

The weeks counter is incremented when the milliseconds counter wraps around from 619,315,199 to 0. This is a 16 bit counter; the GPS epoch is only defined up to 2^{10} weeks, so having extra bits here allows the system to handle times later than this.

The current value of both counters can be read at any time by the CPU, but care must be taken to handle the end of week carry occurring between two reads.

12.3 Watchdog timer

The WDT has a counter, clocked to give a nominal 2 second delay. This counter is periodically cleared, under software control, as described below. If the software fails to clear the counter within the 2 second period then a watchdog reset signal (**notWdReset**) is generated to reset the chip.

A status flag is set by a watchdog reset. This can be used to indicate to application code that the system was reset by the watchdog timer. This status bit is reset *only* by the **notRST** input to the chip.

The watchdog timer function is enabled by an external pin (**WdEnable**). If this pin is held low, then a watchdog reset will not occur.

12.4 RTC/WDT configuration registers

The RTC/WDT has a number of registers which can be accessed by the CPU. The function of these registers is described below.

RTCweeks register

The **RTCweeks** register contains the value of the weeks counter.

RTCweeks		RTC/WDT base address + #00	Read/Write
Bit	Bit field	Function	
15:0	RTCweeks	Value of weeks counter.	

Table 12.1 **RTCweeks** register format

RTCmilliseconds register

The **RTCmilliseconds** register contains the value of the milliseconds counter.

RTCmilliseconds		RTC/WDT base address + #04	Read/Write
Bit	Bit field	Function	
29:0	RTCmilliseconds	Value of milliseconds counter.	

Table 12.2 **RTCmilliseconds** register format

RTCload register

A write to the **RTCload** register loads the weeks and milliseconds counters with the values currently set in the **RTCweeks** and **RTCmilliseconds** registers.

To minimize the possibility of the counters being erroneously updated by rogue software, the counters are only loaded if the correct value (0xA) is written to the **RTCload** register. This register is cleared when the load takes place. It is also cleared when the system is reset.

In addition, the load operation is only enabled if both the milliseconds and weeks registers have had values written to them since the last load of the counters (or since the system was reset).

RTCload		RTC/WDT base address + #08	Write
Bit	Bit field	Function	
3:0	RTCload	Loads the counters with the values set in the weeks and milliseconds registers. Write 0x0A.	

Table 12.3 **RTCload** register format

RTCstatus register

The **RTCstatus** register contains RTC status information.

To avoid the milliseconds and weeks counters being loaded with inconsistent values, the milliseconds and weeks registers must not be modified until the update of the counters has completed. To enable software to detect this situation a status bit is provided in the **RTCstatus** register to indicate

that an update of the registers is in progress. A new value must not be written to the RTC counters until this status bit clears (up to two RTC clock cycles later).

RTCstatus		RTC/WDT base address + #08	Read
Bit	Bit field	Function	
0	RESERVED	Always returns 0.	
1	Loading	Indicates whether an update of the registers is in progress. 0 = RTCweeks and RTCmilliseconds registers can be written; 1 = RTC update in progress. RTCweeks and RTCmilliseconds registers cannot be written	

Table 12.4 **RTCstatus** register format

WDTclear registers

The watchdog counter is cleared by writing to two registers (**WDTclearA** and **WDTclearB** registers). Each of these must have the correct values (0xA and 0x5, respectively) written to them in either order to clear the counter.

WDTclearA		RTC/WDT base address + #10	Write
Bit	Bit field	Function	
3:0	WDTclearA	First WDT clear address. Write 0xA.	

Table 12.5 **WDTclearA** register format

WDTclearB		RTC/WDT base address + #14	Write
Bit	Bit field	Function	
3:0	WDTclearB	Second WDT clear address. Write 0x5.	

Table 12.6 **WDTclearB** register format

WDTstatus register

The **WDTstatus** register can be read to determine if the device was reset by the **notRST** input or by a watchdog time-out. This status bit is reset *only* by the **notRST** input to the chip.

WDTstatus		RTC/WDT base address + #18	Read
Bit	Bit field	Function	
0	WDTstatus	Watchdog timer status flag. 0 = chip reset normally (by an external notRST) 1 = chip reset by watchdog timer	

Table 12.7 **WDTstatus** register format

13 System services

The system services module includes the control system, the PLL and power control. System services include all the necessary logic to initialize and sustain operation of the device.

13.1 Reset, initialization and debug

The ST20-GP6 is controlled by a **notRST** pin which is a global power-on-reset.

13.1.1 Power-on reset

notRST initializes the device and causes it to enter its boot sequence (see Section 13.2 on bootstrap). **notRST** must be asserted at power-on and held for 10 ms (or at least 8 **LowPowerClockIn** cycles) after both **Vdd** is in range and **ClockIn** is stable.

When **notRST** is asserted low, all modules are forced into their power-on reset condition. The clocks are stopped. The rising edge of **notRST** is internally synchronized before starting the initialization sequence.

13.2 Bootstrap

The ST20-GP6 can be bootstrapped from external ROM or internal ROM. When booting from ROM, the ST20-GP6 starts to execute code from the top two bytes in external memory, at address #7FFFFFFE which should contain a backward jump to a program in ROM.

13.3 Clocks

An on-chip phase locked loop (PLL) generates all the internal high frequency clocks. The PLL is used to generate the internal clock frequencies needed for the CPU. Alternatively a direct clock input can provide the system clocks.

The internal clock may be turned off (including the PLL) enabling power down mode.

The ST20-GP6 can be set to operate in **TimesOneMode**, which is when the PLL is bypassed. During **TimesOneMode** the input clock must be in the range 0 to 30 MHz and should be nominally 50/50 mark space ratio.

Note, the single clock input (**ClockIn**) must be 16.368 MHz for correct GPS operation.

13.3.1 Speed select

The speed of the internal processor clock is variable in discrete steps. The clock rate at which the ST20-GP6 runs is determined by the logic levels applied on the two speed select lines **SpeedSelect0-1** as detailed in Table 13.1. The frequency of **ClockIn** (fclk) for the speeds given in the table is 16.368 MHz.

The **SysRatio** register, see Table 11.8 on page 69, gives the speed at which the system PLL is running. It contains the relevant PLL multiply ratio when using the PLL, or contains the value '1' when in **TimesOneMode** for the PLL.

SpeedSelect1	SpeedSelect0	Processor clock speed (MHz)	Processor cycle time (ns) approximate	Phase lock loop factor (PLLx)
0	0	RESERVED		
0	1	16.368	61.1	TimesOneMode ^a
1	0	32.736	30.5	2
1	1	49.104	20.4	3

Table 13.1 Processor speed selection

a. In TimesOneMode the PLL is disabled to reduce power consumption.

13.3.2 Clocking sources

The real time clock and low power timer and alarm must be clocked at all times by one of the following clocking sources:

- External clock input (**LowPowerClockIn**) — this clock must not be more than one eighth of the system clock rate. In this case the **LowPowerClockOsc** pin should not be connected on the board.
- Watch crystal, as in Figure 13.1.

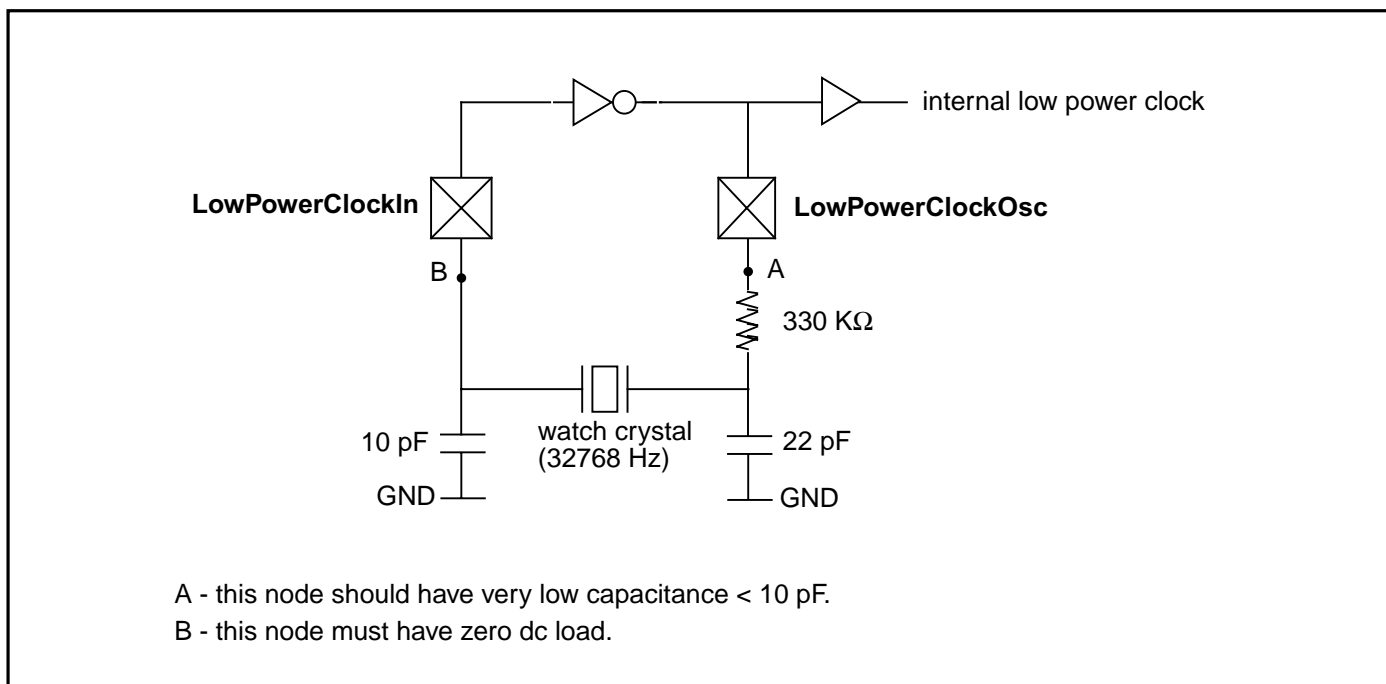


Figure 13.1 Watch crystal clocking source

14 Diagnostic controller

The ST20 Diagnostic Controller Unit (DCU) provides a means for booting the CPU, and for the control and monitoring of all systems on the chip, via the standard IEEE 1194.1 Test Access Port. The Test Access Port is described in Chapter 23. The DCU includes on-chip hardware with ICE (In Circuit Emulation) and LSA (Logic State Analyzer) features to facilitate verification and debugging of software running on the on-chip CPU in real time. It is an independent hardware module with a private link from the host to support real-time diagnostics.

14.1 Diagnostic hardware

The on-chip diagnostic controller assists in debugging, while reducing or eliminating the intrusion into the target code space, the CPU utilization, and impact on the application. As shown in Figure 14.1, the DCU and TAP provide a means of connecting a diagnostic host to a target board with a suitable JTAG port connector and interface.

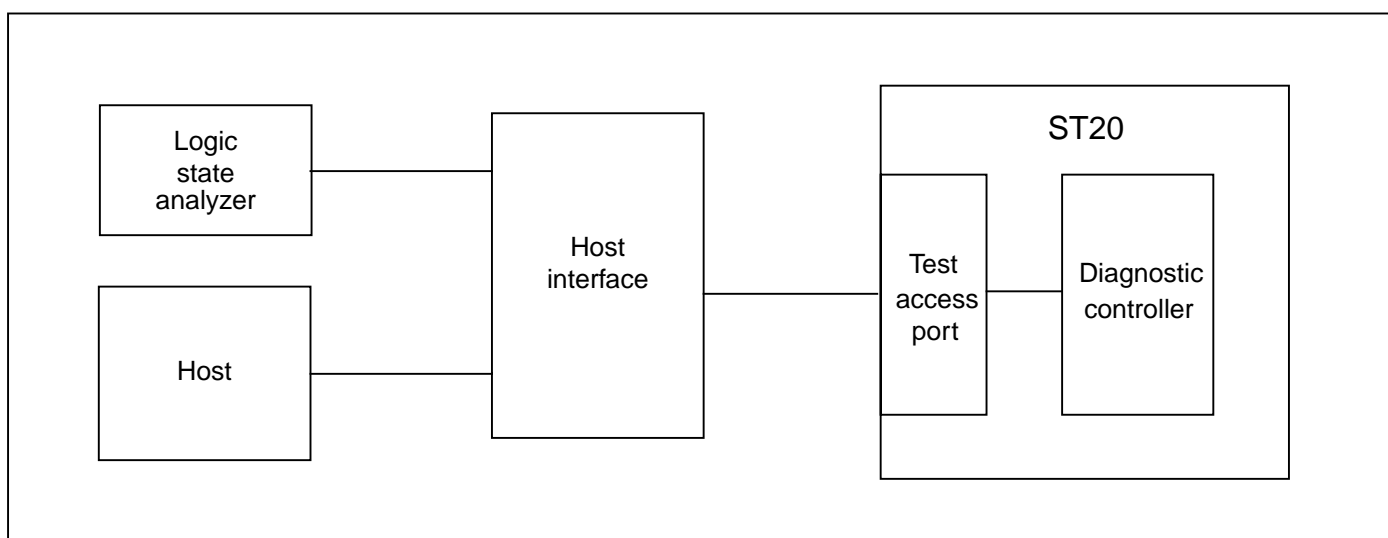


Figure 14.1 Debugging hardware

The diagnostic controller provides the following facilities for debugging from a host:

- control of target CPU and subsystems including CPU boot;
- hardware breakpoint, watchpoint, datawatch and single instruction step;
- complex trigger sequencing and choice of subsequent actions;
- non-intrusive jump trace and instruction pointer profiling;
- access to the memory of the target while the device is powered up, regardless of the state of the CPU;
- full debugging of ROM code.

When running multi-tasking code on the target, one or more processes can be single-stepped or stopped while others continue running in real time. In this case, the running threads can be interrupted by incoming hardware interrupts, with a low latency.

The host can communicate with the DCU via a private link, using the 5 standard test pins.

Target software also has access to the diagnostic facilities and access through the DCU to the host memory.

A logic state analyzer can be connected to the **TriggerIn** and **TriggerOut** pins. The response to **TriggerIn** and the events that cause a **TriggerOut** signal can be controlled by the host or by target software.

The diagnostic controller provides debugging facilities with much less impact on the software and target performance. In particular it gives:

- non-intrusive attachment to the host system;
- no intrusion into the performance of the CPU or any subsystems;
- no intrusion into the code space, so the application builder does not need to add a debugging kernel;
- no intrusion into any on-chip functional modules, including any communications facilities;
- no functional external connection pins are used.

The connections between the diagnostic controller and other on-chip modules and external hardware may vary between ST20 variants.

14.2 Access features

14.2.1 Access to target memory and peripheral registers from host

Full read and write access to the entire on-chip and external memory space is available via the TAP. This is independent of the state of the CPU.

The DCU cannot directly access configuration registers in the on-chip peripheral space. However this is possible via the CPU, and for this the CPU must be active with the appropriate handler installed. Normally the DCU would initiate a trap, and the trap handler would access the appropriate configuration register.

By convention, registers in the address range #20000000 to #3FFFFFFF are in the on-chip peripheral space and can only be accessed by the CPU. Registers and memory outside this range are connected to the address bus and can be accessed directly by the DCU.

14.2.2 Access from target CPU process

The CPU itself can program its own diagnostic controller. Further access may be explicitly prevented by the lock mechanism so that the application being debugged cannot interfere with the breakpoint and watchpoint settings. When the breakpoint or watchpoint match occurs, then the diagnostic controller may release the lock according to settings in the control register.

14.2.3 Access to host memory from target

If the target CPU accesses any address in the top half of the DCU memory space, then these accesses are mapped on to host memory via the TAP as target initiated peek and poke messages. Peek accesses and poke accesses are specifically enabled by separate property bits.

14.3 Software debugging features

14.3.1 Control of the target CPU including boot

Various state information about the target CPU may be monitored and the CPU may be controlled from the diagnostic controller via the TAP. The control of the CPU extends to stalling, forcing a trap and booting.

14.3.2 Non-intrusive lptr profiling

A copy of the **lptr** is visible as a read-only register in the diagnostic controller. This register may be read at any time. Reading this register is not intrusive on the CPU or its memory space.

14.3.3 Events

Support is provided by the diagnostic controller to trigger actions when certain predefined events occur.

Breakpoint

The function of the breakpoint is to break before the instruction is executed, but only if it really was going to be executed. A 32-bit comparator is used to compare the breakpoint register against the instruction pointer of the next instruction to be executed. The matched instruction is not executed and the CPU state, including all CPU registers, is defined as at the start of the instruction. The previous instruction is run to completion.

Breakpoint range

The function of a breakpoint range is equivalent to any single breakpoint but where the breakpoint address can be anywhere within a range of addresses bounded by lower and upper register values.

Watchpoint

The function of a watchpoint is to trigger after a memory access is made to an address within the range specified by a pair of 32-bit registers. The CPU pipeline architecture allows for the CPU to continue execution of instructions without necessarily waiting for a write access to complete. So, by the time a watchpoint violation has been detected, the CPU may have executed a number of instructions after the instruction which caused the violation. If the subsequent action is to stall the CPU or to take a hardware trap, then the last instruction executed before the stall or trap may not be the instruction which caused the violation.

Datawatch

The function of a datawatch is to trigger after a data value specified in one 32-bit register is written to a memory word address specified in another 32-bit register. The subsequent action is equivalent to a watchpoint.

Scheduling events

Various scheduling events can be detected.

Choice of subsequent actions

Following a watchpoint match, or any other condition detectable by the diagnostic controller, the subsequent action may be programmed to be one of the following:

- stall the CPU, i.e. inhibit further instructions from being executed by the CPU;

- wait until the end of the current instruction, then signal a hardware trap;
- signal an immediate hardware trap;
- continue without intrusion.

In addition, the diagnostic controller may take any combination of the following actions:

- signal on **TriggerOut** to a logic state analyzer;
- send a *triggered* message via the TAP to the host;
- unlock access by the target CPU.

14.3.4 Hardware single instruction step

The function of single stepping one CPU instruction is performed by using a breakpoint range over the code to be single stepped. The DCU includes a mechanism to prevent the breakpoint trap handler single-stepping itself. By selecting an inverse range, the effect of single stepping one high level instruction can be achieved.

14.3.5 Jump trace

Jump tracing monitors code jumps, where a jump is any change in execution flow from the stream of consecutive instructions stored in memory. A jump may be caused by a program instruction, an interrupt or a trap.

When the jump occurs, a 32-bit DCU register is loaded with the origin of the jump. This value points to the instruction which would have been executed next if the jump had not occurred. The CPU may not have completed the instruction prior to the change in flow. The diagnostic controller can be set to trace the origin of each jump, the destination, or both.

The DCU copies the details of each jump to a rolling trace buffer in memory. The trace buffer may be located in host memory, but using target memory will have less impact on performance. The tracing facility has two modes:

- Low intrusion. In this mode the DCU uses dead memory cycles to write the trace into the buffer. This means that the CPU is not delayed, but some trace information may be lost.
- Complete trace. In this mode, the CPU is stalled on every jump to ensure the data can be written to the buffer. This means that no trace information is lost, but the CPU performance is affected.

14.3.6 Logic state analyzer (LSA) support

Two signals, **TriggerIn** and **TriggerOut**, are provided to support diagnostics with an external LSA. The action by the DCU on receiving a **TriggerIn** signal is programmable. The selection of internal events which trigger a **TriggerOut** signal is also programmable.

14.3.7 Trigger combinations and sequences

Complex trigger conditions can be programmed. For example:

- the 5th time that breakpoint 3 is encountered;
- enable a watchpoint when a breakpoint occurs.

There is no software intrusion imposed by this mechanism.

14.4 Controlling the diagnostic controller

This section gives a summary of host communications with the diagnostic controller.

The diagnostic controller has direct access to:

- the instruction pointer,
- a selection of CPU state control signals,
- the memory bus,
- memory-mapped peripheral configuration registers.

This access does not depend on the state of the CPU. Access to non-memory-mapped peripheral configuration registers is via the CPU, and for this the CPU must be active and running the appropriate handler.

The host can give two commands to the diagnostic controller: *peek* and *poke*. *Peek* reads memory locations or configuration registers, and *poke* writes to memory locations or configuration registers. The diagnostic controller responds to a *peek* command with a *peeked* message, giving the contents of the peeked addresses.

The diagnostic controller has registers, which are accessed from the host using *peek* and *poke* commands. The registers are used to control breakpoints, watchpoints, datawatch, tracing and other facilities.

The target CPU can also access these registers using the normal device load and store instructions, so the target software running on the CPU can program its own diagnostic controller. A lock is provided to prevent CPU access, which can be released by the diagnostic controller when a breakpoint or watchpoint match occurs.

In addition, the target CPU can *peek* and *poke* the host via the diagnostic controller by reading or writing addresses in the top half of the memory space of the diagnostic controller. This facility can be disabled.

Various different types of CPU events can be selected as *trigger events*. When an trigger event occurs, the diagnostic controller can send a *triggered* message.

The four types of message are summarized in Table 14.1. The messages are distinguished by the two least significant bits of the message header byte.

Message type	Direction	Bit 1	Bit 0	Meaning
<i>poke</i>	Command.	0	0	Write to one or more addresses.
<i>peek</i>	Command.	0	1	Read from one or more addresses.
<i>peeked</i>	Opposite to <i>peek</i> command.	1	0	The result of a <i>peek</i> command.
<i>triggered</i>	DCU to host.	1	1	A trigger event has occurred.

Table 14.1 Types of diagnostic controller message

Messages may be initiated from either the host or the target. Target initiated messages, which constitute asynchronous or unsolicited messages, can be enabled by a property bit.

Messages are composed of a header byte followed by zero or more data bytes, depending on the type of message. The formats for the four message types are shown in Figure 14.2.

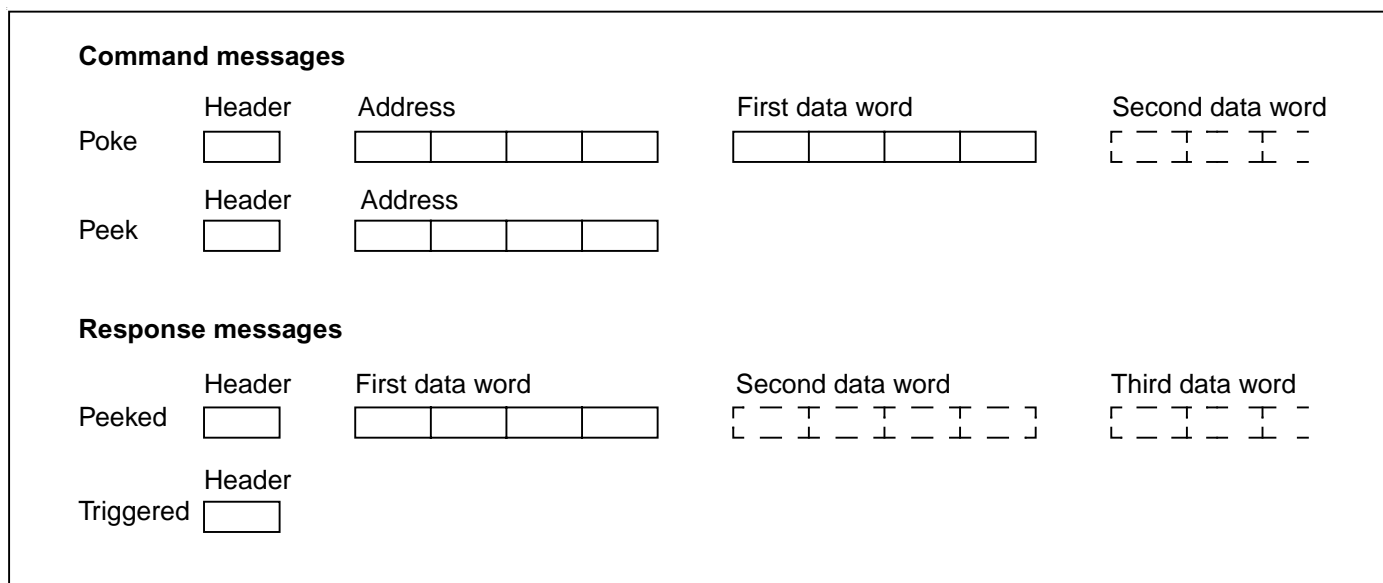


Figure 14.2 Message formats

14.5 Peeking and poking the host from the target

The target CPU can *peek* and *poke* the host via the diagnostic controller. This is done by reading or writing a single word to a block of addresses within the DCU register block. The DCU will then send a *peek* or *poke* message to the host. After a host *peek*, the target CPU will wait until the host responds with a *peeked* message, which the DCU returns to the CPU as memory read data.

Peeking and poking the host from the target can be enabled or disabled. After reset, these bits are cleared, so peek and poke from the target are disabled.

14.6 Abortable instructions

14.6.1 Properties of the hardware implementation

In the ST20-C2 core, some instructions are abortable, i.e. they may be “started” more than once. In the instruction set chapter, abortable instructions are marked with an ‘A’ in the notes column, indicating that the instruction can be aborted and later restarted.

The breakpoint mechanism in the DCU, follows the CPU behavior, and takes a trap in place of starting an instruction with an **lptr** which matches. Care is taken in the hardware to ensure that any interrupts which might have occurred following the preceding instruction are allowed in, and the trap is taken only if the CPU was about to start the instruction with an **lptr** which matches.

If the DCU is programmed to break on an instruction, then normally, following the trap return instruction, that instruction is executed. In this scenario, all instructions should be considered as abortable. If an interrupt occurs between the end of the trap handler and the start of the instruction, then when the interrupt completes the DCU will again trap on that instruction (if the breakpoint is repeatable).

The user needs to be aware that setting a breakpoint on a given instruction may break more than once on the same instruction in the same thread.

14.6.2 Software solutions

If the user wishes to break on the n th occurrence of a given instruction using a counter in the DCU, then there is no problem associated with abortable instructions because the counter is adjusted on the completion of the instruction, not the start of the instruction. More specifically, the counter is adjusted when the CPU commits to executing the instruction; this may be at the completion of an abortable instruction, or it may be at an interrupt point in the middle of an interruptible instruction.

In the more complex example, the user wishes to break on the n th occurrence of a given instruction in a given thread. In this case, a hardware break is set on the given instruction, and the breakpoint trap handler contains just enough code to distinguish the desired thread and decrement a counter in software. Of course, inserting the breakpoint makes the instruction appear to be abortable and the count is not reliable. However, if a pair of break points are used, and counting only takes place when the desired thread moves from the first to the second breakpoint, then a reliable count can be established.

15 UART interface (ASC)

The UART interface, also referred to as the Asynchronous Serial Controller (ASC), provides serial communication between the ST20-GP6 and other microcontrollers, microprocessors or external peripherals.

The ASC supports full-duplex asynchronous communication. Eight or nine bit data transfer, parity generation, and the number of stop bits are programmable. Parity, framing, and overrun error detection are provided to increase the reliability of data transfers. Transmission and reception of data can simply be double-buffered, or 16-deep fifos may be used. For multiprocessor communications, a mechanism to distinguish the address from the data bytes is included. Testing is supported by a loop-back option. A 16-bit baud rate generator provides the ASC with a separate serial clock signal.

15.1 Functionality

The ASC supports full-duplex asynchronous communication, where both the transmitter and the receiver use the same data frame format and the same baud rate. Data is transmitted on the **TXD** pin and received on the **RXD** pin.

Data frames

8-bit data frames either consist of:

- eight data bits **D0-7** (by setting the **Mode** bit field to 001);
- seven data bits **D0-6** plus an automatically generated parity bit (by setting the **Mode** bit field to 011).

Parity may be odd or even, depending on the **ParityOdd** bit in the **ASCControl** register. An even parity bit will be set, if the modulo-2-sum of the seven data bits is 1. An odd parity bit will be cleared in this case.

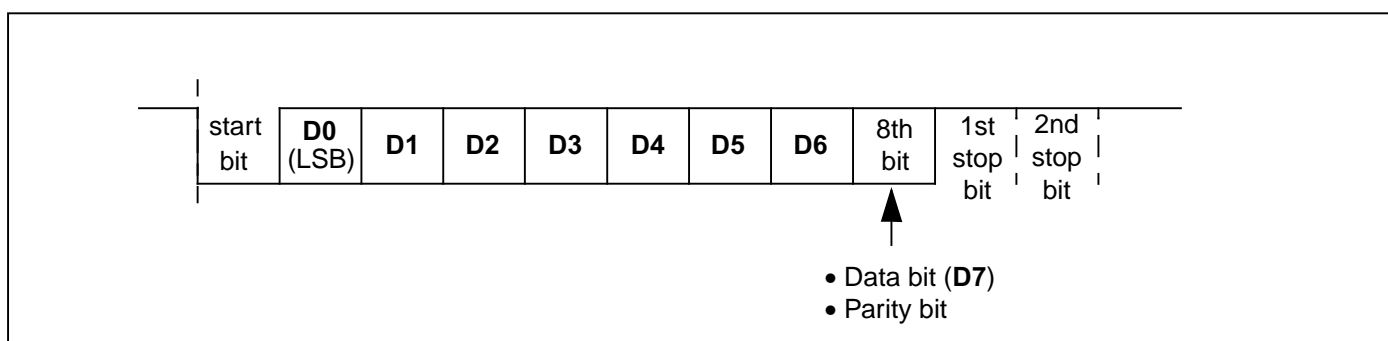


Figure 15.1 8-bit data frames

9-bit data frames either consist of:

- nine data bits **D0-8** (by setting the **Mode** bit field to 100);
- eight data bits **D0-7** plus an automatically generated parity bit (by setting the **Mode** bit field to 111);
- eight data bits **D0-7** plus a wake-up bit (by setting the **Mode** bit field to 101).

Parity may be odd or even, depending on the **ParityOdd** bit in the **ASCControl** register. An even parity bit will be set, if the modulo-2-sum of the eight data bits is 1. An odd parity bit will be cleared in this case.

In wake-up mode, received frames are only transferred to the receive buffer register if the ninth bit (the wake-up bit) is 1. If this bit is 0, no receive interrupt request will be activated and no data will be transferred.

This feature may be used to control communication in multi-processor systems. When the master processor wants to transmit a block of data to one of several slaves, it first sends out an address byte which identifies the target slave. An address byte differs from a data byte in that the additional ninth bit is a 1 for an address byte and a 0 for a data byte, so no slave will be interrupted by a data byte. An address byte will interrupt all slaves (operating in 8-bit data + wake-up bit mode), so each slave can examine the 8 least significant bits (LSBs) of the received character (the address). The addressed slave will switch to 9-bit data mode, which enables it to receive the data bytes that will be coming (with the wake-up bit cleared). The slaves that are not being addressed remain in 8-bit data + wake-up bit mode, ignoring the following data bytes.

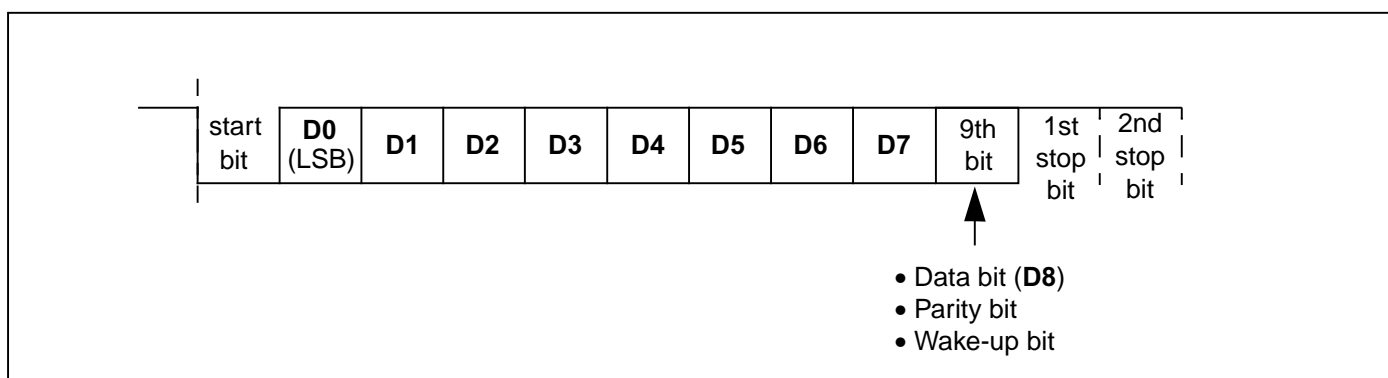


Figure 15.2 9-bit data frames

Transmission

Values to be transmitted are written to the transmit fifo, **txfifo**, by writing to **ASCTxBuffer**. The **txfifo** is implemented as a 16 deep array of 9 bit vectors.

If the fifos are enabled (the **ASCControl(FifoEnable)** is set), the **txfifo** is considered full (**ASCStatus(TxFull)** is set) when it contains 16 characters. Further writes to **ASCTxBuffer** in this situation will fail to overwrite the most recent entry in the **txfifo**. If the fifos are disabled, the **txfifo** is considered full (**ASCStatus(TxFull)** is set) when it contains 1 character, and a write to **ASCTxBuffer** in this situation will overwrite the contents.

If the fifos are enabled, **ASCStatus(TxHalfEmpty)** is set when the **txfifo** contains 8 or fewer characters. If the fifos are disabled, it's set when the **txfifo** is empty.

Writing anything to **ASCTxReset** empties the **txfifo**.

Values are shifted out of the bottom of the **txfifo** into a 9-bit **txshift** register in order to be transmitted. If the transmitter is idle (the **txshift** register is empty) and something is written to the **ASCTxBuffer** so that the **txfifo** becomes non-empty, the **txshift** register is immediately loaded from the **txfifo** and transmission of the data in the **txshift** register begins at the next baud rate tick.

At the time the transmitter is just about to transmit the stop bits, then if the txfifo is non-empty, the txshift register will be immediately loaded from the txfifo, and transmission of this new data will begin as soon as the current stop bit period is over (i.e. the next start bit will be transmitted immediately following the current stop bit period). Thus back-to-back transmission of data can take place. If instead the txfifo is empty at this point, then the txshift register will become empty. **ASCStatus(TxEmpty)** indicates whether the txshift register is empty.

After changing the fifoenable bit, it is important to reset the fifo to empty (by writing to the **ASCTxReset** register), since the state of the fifo pointer may be garbage.

The loop-back option (selected by the **ASCControl(LoopBack)** bit) internally connects the output of the transmitter shift register to the input of the receiver shift register. This may be used to test serial communication routines at an early stage without having to provide an external network.

Reception

Reception is initiated by a falling edge on the data input pin (**RXD**), provided that the **ASCControl(Run)** and **ASCControl(RxEnable)** bits are set. The **RXD** pin is sampled at 16 times the rate of the selected baud rate. A majority decision of the first, second and third samples of the start bit determines the effective bit value. This avoids erroneous results that may be caused by noise.

If the detected value is not a 0 when the start bit is sampled, the receive circuit is reset and waits for the next falling edge transition at the **RXD** pin. If the start bit is valid, the receive circuit continues sampling and shifts the incoming data frame into the receive shift register. For subsequent data and parity bits, the majority decision of the seventh, eighth and ninth samples in each bit time is used to determine the effective bit value.

For 0.5 stop bits, the majority decision of the third, fourth, and fifth samples during the stop bit is used to determine the effective stop bit value.

For 1 and 2 stop bits, the majority decision of the seventh, eighth, and ninth samples during the stop bits is used to determine the effective stop bit values.

For 1.5 stop bits, the majority decision of the fifteenth, sixteenth, and seventeenth samples during the stop bits is used to determine the effective stop bit value.

The effective values received on the **RXD** pin are shifted into a 10-bit rxshift register.

The receive fifo, rxfifo, is implemented as a 16 deep array of 10-bit vectors (each 9 down to 0). If the rxfifo is empty, **ASCstatus(RxBufFull)** is set to '0'. If the rxfifo is not empty, a read from **ASCRxBuffer** will get the oldest entry in the rxfifo. If fifos are disabled, the rxfifo is considered full when it contains one character. **ASCStatus(RxFifoNearFull)** is set when the rxfifo contains more than 8 characters. Writing anything to **ASCRxReset** empties the rxfifo.

As soon as the effective value of the last stop bit has been determined, the content of the rxshift register is transferred to the rxfifo (unless we're in wake-up mode, in which case this happens only if the wake-up bit, bit8, is a '1'). The receive circuit then waits for the next start bit (falling edge transition) at the **RXD** pin.

ASCStatus(OverrunError) is set when the rxfifo is full and a character is loaded from the rxshift register into the rxfifo. It is cleared when the **ASCRxBuffer** register is read.

The most significant bit of each rxfifo entry (rxfifo[x][9]) records whether or not there was a frame error when that entry was received (i.e. one of the effective stop bit values was '0'). **ASCStatus(FrameError)** is set when at least one of the valid entries in the rxfifo has its MSB set.

If the mode is one where a parity bit is expected, then the next bit, rxfifo[x][8], records whether there was a parity error when that entry was received. Note, it does not contain the parity bit that was received. **ASCStatus(ParityError)** is set when at least one of the valid entries in the rxfifo has bit 8 set.

After changing the fifoenable bit, it is important to reset the fifo to empty (by writing to the **ASCRxReset** register), since the state of the fifo pointers may be garbage.

Reception is stopped by clearing the **ASCControl(RxEnable)** bit. A currently received frame is completed including the generation of the receive status flags. Start bits that follow this frame will not be recognized.

15.2 Timeout mechanism

The ASC contains an 8-bit timeout counter. This reloads from **ASCTimeout** whenever one or more of the following is true

- **ASCRxBuffer** is read
- The ASC is in the middle of receiving a character
- **ASCTimeout** is written to

If none of these conditions hold, the counter decrements towards 0 at every baud rate tick.

ASCStatus(TimeoutNotEmpty) is '1' exactly whenever the rxfifo is not empty and the timeout counter is zero.

ASCStatus(TimeoutIdle) is '1' exactly whenever the rxfifo is empty and the timeout counter is zero.

The effect of this is that whenever the rxfifo has got something in it, the timeout counter will decrement until something happens to the rxfifo. If nothing happens, and the timeout counter reaches zero, the **ASCStatus(TimeoutNotEmpty)** flag will be set.

When the software has emptied the rxfifo, the timeout counter will reset and start decrementing. If no more characters arrive, when the counter reaches zero the **ASCStatus(TimeoutIdle)** flag will be set.

15.3 Baud rate generation

The baud rate generator provides a clock at 16 times the baud rate, called the oversampling clock. This clock only ticks if **ASCControl(Run)** is set to '1'. Setting this bit to 0 will immediately freeze the state of the ASCs transmitter and receiver. This should only be done when the ASC is idle.

The baud rate and the required reload value for a given baud rate can be determined by the following formulae:

$$\text{Baudrate} = \frac{f_{\text{CPU}}}{16 \langle \text{ASCBaudRate} \rangle}$$

$$\langle \text{ASCBaudRate} \rangle = \left(\frac{f_{\text{CPU}}}{16 \times \text{Baudrate}} \right)$$

where: $\langle \text{ASCBaudRate} \rangle$ represents the content of the **ASCBaudRate** register, taken as unsigned 16-bit integer,
 f_{CPU} is the frequency of the CPU.

Table 15.3 lists various commonly used baud rates together with the required reload values and the rounded deviation errors for an example baud rate with a CPU clock of 32.736 MHz.

Baud rate	Reload value (exact)	Reload value (integer)	Reload value (hex)	Deviation error
38400	53.28125	53	35	-0.53%
28800	71.04167	71	47	-0.06%
19200	106.5625	107	6B	0.41%
14400	142.0833	142	8E	-0.06%
9600	213.125	213	D5	-0.06%
4800	426.25	426	1AA	-0.06%
2400	852.5	853	355	0.06%
1200	1705	1705	6A9	0.00%
600	3410	3410	D52	0.00%
300	6820	6820	1AA4	0.00%
75	27280	27280	6A90	0.00%

Table 15.3 Baud rates

15.4 Interrupt control

The ASC has a single interrupt coming out of it, called **ASC_interrupt**. The status bits in the **ASC-Status** register determine the cause of the interrupt. **ASC_interrupt** will go high when a status bit is 1 (high) and the corresponding bit in the **ASCIntEnable** register is 1.

Note the status register *cannot* be written to directly by software. The reset mechanism for the status register is described below.

The following diagram illustrates the situation.

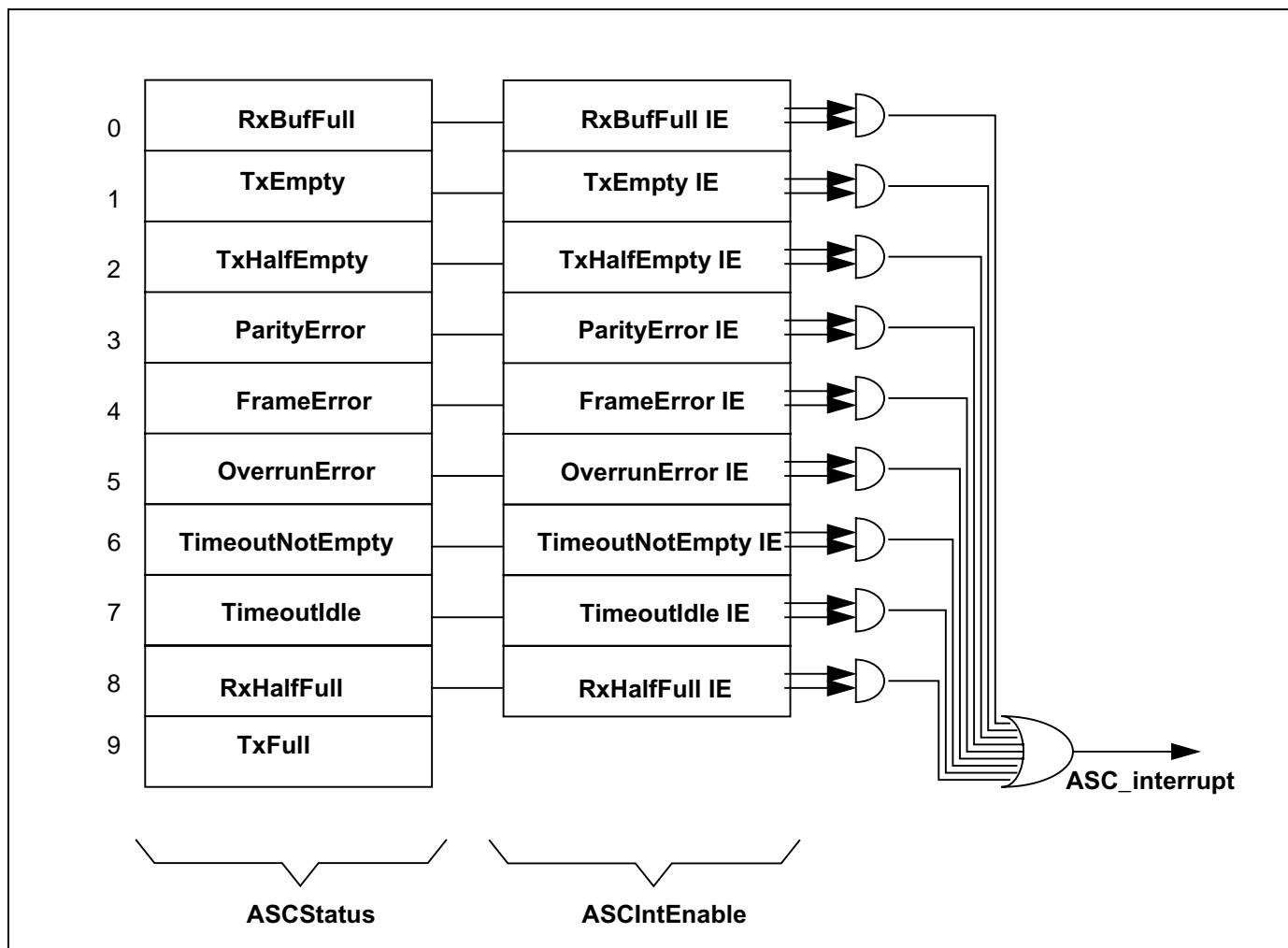


Figure 15.4 ASC status and interrupt registers

15.4.1 Using the ASC interrupts when fifos are disabled

When fifos are disabled, the ASC provides three interrupt requests to control data exchange via the serial channel:

- **TxHalfEmpty** is activated when data is moved from **ASCTxBuffer** to the txshift register.
- **TxEmpty** is activated before the stop bit is transmitted.
- **RxBufFull** is activated when the received frame is moved to **ASCRxBuffer**.

For single transfers it is sufficient to use the transmitter interrupt (**TxEmpty**), which indicates that the previously loaded data has been transmitted, except for the stop bit.

For multiple back-to-back transfers using **TxEmpty** would leave just one stop bit time for the handler to respond to the interrupt and initiate another transmission. Using the transmit buffer interrupt (**TxHalfEmpty**) to reload transmit data allows the time to transmit a complete frame for the service routine, as **ASCTxBuffer** may be reloaded while the previous data is still being transmitted.

TxHalfEmpty is an early trigger for the reload routine, while **TxEmpty** indicates the completed transmission of the data field of the frame. Therefore, software using handshake should rely on **TxEmpty** at the end of a data block to make sure that all data has really been transmitted.

15.4.2 Using the ASC interrupts when fifos are enabled

To transmit a large number of characters back to back, the driver routine would write 16 characters to **ASCTxBuffer**, then every time a **TxHalfEmpty** interrupt fired, it would write 8 more. When it had nothing more to send, a **TxEmpty** interrupt would tell it when everything has been transmitted.

When receiving, the driver could use **RxBufFull** to interrupt every time a character came in. Alternatively, if data is coming in back-to-back, it could use **RxHalfFull** to interrupt it when there was at least 8 characters in the rxfifo to read. It would have as long as it takes to receive 8 characters to respond to this interrupt before data would overrun. If less than eight character streamed in, and no more were received for at least a timeout period, the driver could be woken up by one of the two timeout interrupts, **TimeoutNotEmpty** or **TimeoutIdle**.

15.5 ASC configuration registers

ASCBaudRate register

The **ASCBaudRate** register is the dual-function baud rate generator/reload register.

A read from this register returns the content of the timer, writing to it updates the reload register.

An auto-reload of the timer with the content of the reload register is performed each time the **ASCBaudRate** register is written to. However, if the **Run** bit of the **ASCControl** register, see Table 15.4, is 0 at the time the write operation to the **ASCBaudRate** register is performed, the timer will not be reloaded until the first CPU clock cycle after the **Run** bit is 1.

ASCBaudRate		ASC base address + #00		Read/Write
Bit	Bit field	Write Function	Read Function	
15:0	ReloadVal	16-bit reload value	16-bit count value	

Table 15.1 **ASCBaudRate** register format

ASCTxBuffer register

Writing to the transmit buffer register starts data transmission.

ASCTxBuffer		ASC base address + #04	Write only
Bit	Bit field	Function	
0	TD0	Transmit buffer data D0	
1	TD1	Transmit buffer data D1	
2	TD2	Transmit buffer data D2	
3	TD3	Transmit buffer data D3	
4	TD4	Transmit buffer data D4	
5	TD5	Transmit buffer data D5	
6	TD6	Transmit buffer data D6	
7	TD7/Parity	Transmit buffer data D7 , or parity bit - dependent on the operating mode (the setting of the Mode field in the ASCControl register).	
8	TD8/Parity /Wake/0	Transmit buffer data D8 , or parity bit, or wake-up bit or undefined - dependent on the operating mode (the setting of the Mode field in the ASCControl register). Note: If the Mode field selects an 8-bit frame then this bit should be written as 0.	
15:9		RESERVED. Write 0.	

Table 15.2 **ASCTxBuffer** register format

ASCRxBuffer register

The received data and, if provided by the selected operating mode, the received parity bit can be read from the receive buffer register.

ASCRxBuffer		ASC base address + #08	Read only
Bit	Bit field	Function	
0	RD0	Receive buffer data D0	
1	RD1	Receive buffer data D1	
2	RD2	Receive buffer data D2	
3	RD3	Receive buffer data D3	
4	RD4	Receive buffer data D4	
5	RD5	Receive buffer data D5	
6	RD6	Receive buffer data D6	
7	RD7/Parity	Receive buffer data D7 , or parity bit - dependent on the operating mode (the setting of the Mode bit in the ASCControl register).	
8	RD8/Parity/Wake/X	Receive buffer data D8 , or parity bit, or wake-up bit - dependent on the operating mode (the setting of the Mode field in the ASCControl register). Note: If the Mode field selects a 7- or 8-bit frame then this bit is undefined. Software should ignore this bit when reading 7- or 8-bit frames.	
15:9		RESERVED. Will read back 0.	

Table 15.3 **ASCRxBuffer** register format

ASCControl register

This register controls the operating mode of the ASC and contains control bits for mode and error check selection, and status flags for error identification.

Note: Programming the mode control field (**Mode**) to one of the reserved combinations may result in unpredictable behavior.

Note: Serial data transmission or reception is only possible when the baud rate generator run bit (**Run**) is set to 1. When the **Run** bit is set to 0, **TXD** will be 1. Setting the **Run** bit to 0 will immediately freeze the state of the transmitter and receiver. This should only be done when the ASC is idle.

ASCControl		ASC base address + #0C	Read/Write
Bit	Bit field	Function	
2:0	Mode	ASC mode control Mode2:0 Mode 000 RESERVED 001 8-bit data 010 RESERVED 011 7-bit data + parity 100 9-bit data 101 8-bit data + wake up bit 110 RESERVED 111 8-bit data + parity	
4:3	StopBits	Number of stop bits selection StopBits1:0 Number of stop bits 00 0.5 stop bits 01 1 stop bit 10 1.5 stop bits 11 2 stop bits	
5	ParityOdd	Parity selection 0 Even parity (parity bit set on odd number of '1's in data) 1 Odd parity (parity bit set on even number of '1's in data)	
6	LoopBack	Loopback mode enable bit 0 Standard transmit/receive mode 1 Loopback mode enabled	
7	Run	Baud rate generator run bit 0 Baud rate generator disabled (ASC inactive) 1 Baud rate generator enabled	
8	RxEnable	Receiver enable bit 0 Receiver disabled 1 Receiver enabled	
10	FifoEnable	Fifo enable bit 0 Fifo mode disabled 1 Fifo mode enabled	
15:11, 9		RESERVED. Write 0, will read back 0.	

Table 15.4 **ASCControl** register format

ASCIntEnable register

The **ASCIntEnable** register enables a source of interrupt.

Interrupts will occur when a status bit in the **ASCStatus** register is 1, and the corresponding bit in the **ASCIntEnable** register is 1.*

ASCIntEnable		ASC base address + #10	Read/Write
Bit	Bit field	Function	
0	RxBufFullIE	Receiver buffer full interrupt enable	
1	TxEEmptyIE	Transmitter empty interrupt enable	
2	TxHalfEmptyIE	Transmitter buffer half empty interrupt enable	
3	ParityErrorIE	Parity error interrupt enable	
4	FrameErrorIE	Framing error interrupt enable	
5	OverrunErrorIE	Overrun error interrupt enable	
6	TimeoutNotEmptyIE	Timeout not empty interrupt enable	
7	TimeoutIdleIE	Timeout idle interrupt enable	
8	RxHalfFullIE	Receiver buffer half full interrupt enable	
15:9		RESERVED. Write 0, will read back 0.	

Table 15.5 **ASCIntEnable** register format

ASCStatus register

The **ASCStatus** register determines the cause of an interrupt.

ASCStatus		ASC base address + #14	Read Only
Bit	Bit field	Function	
0	RxBufFull	Set when rxfifo not empty	
1	TxEEmpty	Set when transmit shift register is empty	
2	TxHalfEmpty	Set when txfifo at least half empty	
3	ParityError	Set when the rxfifo contains something received with a parity error	
4	FrameError	Set when the rxfifo contains something received with a frame error	
5	OverrunError	Set when data is received and the rxfifo is full.	
6	TimeoutNotEmpty	Set when there's a timeout and the rxfifo is not empty	
7	TimeoutIdle	Set when there's a timeout and the rxfifo is empty	
8	RxHalfFull	Set when the rxfifo contains at least 8 characters	
9	TxFull	Set when the txfifo contains 16 characters	
15:10		RESERVED. Read back 0.	

Table 15.6 **ASCStatus** register format

Timeout register

The timeout register determines the timeout period.

ASCTimeOut		ASC base address + #1C	Read/Write
Bit	Bit field	Function	
7:0	TimeOut	Timeout period in baud rate ticks	
15:8		RESERVED. Write 0, will read back 0.	

Table 15.7 **ASCTimeout** register format

16 Parallel input/output

The ST20-GP6 device has 16 bits of Parallel Input/Output (PIO), configured in groups (ports) of eight bits. Each bit is programmable as an output, an input, or a bidirectional pin.

Each group of eight input bits can also be compared against a register and an interrupt generated when the value is not equal.

Each of the groups of eight bits operates as described in the following section.

16.1 PIO Ports0-1

Each of the eight bits of a PIO port has a corresponding bit in the PIO registers associated with each port. These registers hold: output data for the port (**POut**); the input data read from the pin (**PIn**); PIO bit configuration register (**PC1**); and the two input compare function registers (**PComp** and **PMask**).

All of the registers, except the **PIn** registers, are each mapped onto two additional addresses so that bits can be set or cleared individually.

The **Set_** register allows bits to be set individually. Writing a '1' in this register sets the corresponding bit in the associated register, a '0' leaves the bit unchanged.

The **Clear_** register allows bits to be cleared individually. Writing a '1' in this register resets the corresponding bit in the associated register, a '0' leaves the bit unchanged.

16.1.1 PIO Data registers

The base addresses for the **PIO** registers are given in the memory map.

Note that during reset all the registers are reset to '00000000'.

POut register

This register holds output data for the port.

POut		PIO base address + #00	Read/Write
Bit	Bit field	Function	
7:0	POut7:0	Bits 0 to 7 of output data for the port.	

Table 16.1 POut register format - 1 register per port

PIn register

The data read from this register will give the logic level present on an input pin of the port at the start of the read cycle to this register. The read data will be the last value written to the register regardless of the pin configuration selected.

PIn		PIO base address + #10	Read only
Bit	Bit field	Function	
7:0	PIn7:0	Bits 0 to 7 of input data for the port.	

Table 16.2 PIn register format - 1 register per port

16.1.2 PIO bit configuration register

The **PC1** register is used to configure each of the PIO port bits as an input or output. Writing a 0 configures the bit as an input, a 1 configures the bit as an output.

PC1		PIO port base address + #30	Read/Write
Bit	Bit field	Function	
7:0	ConfigData7:0	Configures the PIO bit as an input or an output. 0 input 1 output	

Table 16.3 **PC1** register format

16.1.3 PIO Input compare and Compare mask registers

The Input compare register (**PComp**) holds the value to which the input data from the PIO ports pins will be compared. If any of the input bits are different from the corresponding bits in the **PComp** register and the corresponding bit position in the PIO Compare mask register (**PMask**) is set to 1, then the internal interrupt signal for the port will be set to 1.

The compare function is sensitive to changes in levels on the pins and so the change in state on the input pin must be greater in duration than the interrupt response time for the compare to be seen as a valid interrupt by an interrupt service routine.

Note that the compare function is operational in all configurations for a PIO bit including the alternate function modes.

PComp		PIO base address + #50	Read/Write
Bit	Bit field	Function	
7:0	PComp7:0	Bit 0 to 7 value to which the input data from the PIO port pins will be compared.	

Table 16.4 **PComp** register format - 1 register per port

PMask		PIO base address + #60	Read/Write
Bit	Bit field	Function	
7:0	PMask7:0	When set to 1, the compare function for the internal interrupt for the port is enabled. If the respective bit (0 to 7) of the input is different to the respective PComp7:0 bit in the PComp register, then an interrupt is generated.	

Table 16.5 **PMask** register format

17 Configuration register addresses

This chapter lists all the ST20-GP6 configuration registers and gives the addresses of the registers. The complete bit format of each of the registers and its functionality is given in the relevant chapter.

The EMI and DCU registers can only be accessed using memory instructions. All other registers can be accessed and set by the *dev/w* (device load word) and *devsw* (device store word) instructions.

Register	Address	Size	Read/Write
EMIconfigData0Bank0	#00002000	16	R/W
EMIconfigData1Bank0	#00002004	16	R/W
EMIconfigData2Bank0	#00002008	16	R/W
EMIconfigData3Bank0	#0000200C	16	R/W
EMIconfigData0Bank1	#00002010	16	R/W
EMIconfigData1Bank1	#00002014	16	R/W
EMIconfigData2Bank1	#00002018	16	R/W
EMIconfigData3Bank1	#0000201C	16	R/W
EMIconfigData0Bank2	#00002020	16	R/W
EMIconfigData1Bank2	#00002024	16	R/W
EMIconfigData2Bank2	#00002028	16	R/W
EMIconfigData3Bank2	#0000202C	16	R/W
EMIconfigData0Bank3	#00002030	16	R/W
EMIconfigData1Bank3	#00002034	16	R/W
EMIconfigData2Bank3	#00002038	16	R/W
EMIconfigData3Bank3	#0000203C	16	R/W
EMIconfigLockBank0	#00002040	1	W
EMIconfigLockBank1	#00002044	1	W
EMIconfigLockBank2	#00002048	1	W
EMIconfigLockBank3	#0000204C	1	W
EMIconfigStatus	#00002050	8	R
DcuStatus	#00003000	13	R
DcuControl	#00003004	15	R/W
DcuSignalling	#00003008	24	R/W
DcuTIProperties	#0000300C	21	R/W
DcuBP1	#00003020	32	R/W
DcuBP2	#00003024	32	R/W
DcuBP1&2Properties	#0000302C	22	R/W
DcuBC3	#00003040	32	R/W
DcuBC4	#00003044	32	R/W

Table 17.1 ST20-GP6 configuration register addresses

Register	Address	Size	Read/Write
DcuBC3&4Properties	#0000304C	25	R/W
DcuWPLower	#00003060	32	R/W
DcuWPUpper	#00003064	32	R/W
DcuWPAddress	#00003068	32	R
DcuWPProperties	#0000306C	25	R/W
DcuJTlptr	#00003080	32	R
DcuJTFrom	#00003084	32	R
DcuJTAddress	#00003088	32	R/W
DcuJTProperties	#0000308C	27	R/W
DcuHostMemViaTAP	#00003800 - #00003FFC	32	R/W
HandlerWptr0	#20000000	32	R/W
HandlerWptr1	#20000004	32	R/W
HandlerWptr2	#20000008	32	R/W
HandlerWptr3	#2000000C	32	R/W
HandlerWptr4	#20000010	32	R/W
HandlerWptr5	#20000014	32	R/W
HandlerWptr6	#20000018	32	R/W
HandlerWptr7	#2000001C	32	R/W
TriggerMode0	#20000040	3	R/W
TriggerMode1	#20000044	3	R/W
TriggerMode2	#20000048	3	R/W
TriggerMode3	#2000004C	3	R/W
TriggerMode4	#20000050	3	R/W
TriggerMode5	#20000054	3	R/W
TriggerMode6	#20000058	3	R/W
TriggerMode7	#2000005C	3	R/W
Pending ^a	#20000080	5	R/W
Set_Pending	#20000084	5	W
Clear_Pending	#20000088	5	W
Mask	#200000C0	17	R/W
Set_Mask	#200000C4	17	W
Clear_Mask	#200000C8	17	W
Exec ^b	#20000100	5	R/W
Set_Exec	#20000104	5	W
Clear_Exec	#20000108	5	W
LPTimerLS	#20000400	32	R/W
LPTimerMS	#20000404	32	R/W

Table 17.1 ST20-GP6 configuration register addresses

Register	Address	Size	Read/Write
LPTimerStart ^c	#20000408	1	R/W
LPAAlarmLS	#20000410	32	R/W
LPAAlarmMS	#20000414	8	R/W
LPAAlarmStart	#20000418	1	R/W
LPSysPII	#20000420	2	R/W
SysRatio	#20000500	6	R
Int0Priority	#20001000	3	R/W
Int1Priority	#20001004	3	R/W
Int2Priority	#20001008	3	R/W
Int3Priority	#2000100C	3	R/W
Int4Priority	#20001010	3	R/W
Int5Priority	#20001014	3	R/W
Int6Priority	#20001018	3	R/W
Int7Priority	#2000101C	3	R/W
InputInterrupts	#20001048	18	R
IntActiveHigh	#2000104C	2	R/W
IntLPEnable	#20001050	2	R/W
RTCweeks	#20002000	16	R/W
RTCmilliseconds	#20002004	30	R/W
RTCload	#20002008	4	W
RTCstatus		2	R
WDTclearA	#20002010	4	W
WDTclearB	#20002014	4	W
WDTstatus	#20002018	1	R
ASC0BaudRate	#20004000	16	R/W
ASC0TxBuffer	#20004004	16	W
ASC0RxBuffer	#20004008	16	R
ASC0Control	#2000400C	16	R/W
ASC0IntEnable	#20004010	8	R/W
ASC0Status	#20004014	8	R
ASC1BaudRate	#20006000	16	R/W
ASC1TxBuffer	#20006004	16	W
ASC1RxBuffer	#20006008	16	R
ASC1Control	#2000600C	16	R/W
ASC1IntEnable	#20006010	8	R/W
ASC1Status	#20006014	8	R
P0Out	#20008000	6	R/W
Set_P0Out	#20008004	6	W

Table 17.1 ST20-GP6 configuration register addresses

Register	Address	Size	Read/Write
Clear_P0Out	#20008008	6	W
P0In	#20008010	6	R
P0C1	#20008030	6	R/W
Set_P0C1	#20008034	6	W
Clear_P0C1	#20008038	6	W
P0Comp	#20008050	6	R/W
Set_P0Comp	#20008054	6	W
Clear_P0Comp	#20008058	6	W
P0Mask	#20008060	6	R/W
Set_P0Mask	#20008064	6	W
Clear_P0Mask	#20008068	6	W
P1Out	#2000A000	6	R/W
Set_P1Out	#2000A004	6	W
Clear_P1Out	#2000A008	6	W
P1In	#2000A010	6	R
P1C1	#2000A030	6	R/W
Set_P1C1	#2000A034	6	W
Clear_P1C1	#2000A038	6	W
P1Comp	#2000A050	6	R/W
Set_P1Comp	#2000A054	6	W
Clear_P1Comp	#2000A058	6	W
P1Mask	#2000A060	6	R/W
Set_P1Mask	#2000A064	6	W
Clear_P1Mask	#2000A068	6	W
PRNcode0	#2000C000	7	W
PRNcode1	#2000C004	7	W
PRNcode2	#2000C008	7	W
PRNcode3	#2000C00C	7	W
PRNcode4	#2000C010	7	W
PRNcode5	#2000C014	7	W
PRNcode6	#2000C018	7	W
PRNcode7	#2000C01C	7	W
PRNcode8	#2000C020	7	W
PRNcode9	#2000C024	7	W
PRNcode10	#2000C028	7	W
PRNcode11	#2000C02C	7	W
PRNphase0	#2000C040	19	W
PRNphase0WrEn		1	R

Table 17.1 ST20-GP6 configuration register addresses

Register	Address	Size	Read/Write
PRNphase1	#2000C044	19	W
PRNphase1WrEn		1	R
PRNphase2	#2000C048	19	W
PRNphase2WrEn		1	R
PRNphase3	#2000C04C	19	W
PRNphase3WrEn		1	R
PRNphase4	#2000C050	19	W
PRNphase4WrEn		1	R
PRNphase5	#2000C054	19	W
PRNphase5WrEn		1	R
PRNphase6	#2000C058	19	W
PRNphase6WrEn		1	R
PRNphase7	#2000C05C	19	W
PRNphase7WrEn		1	R
PRNphase8	#2000C060	19	W
PRNphase8WrEn		1	R
PRNphase9	#2000C064	19	W
PRNphase9WrEn		1	R
PRNphase10	#2000C068	19	W
PRNphase10WrEn		1	R
PRNphase11	#2000C06C	19	W
PRNphase11WrEn		1	R
NCOfrequency0	#2000C080	18	W
NCOfrequency1	#2000C084	18	W
NCOfrequency2	#2000C088	18	W
NCOfrequency3	#2000C08C	18	W
NCOfrequency4	#2000C090	18	W
NCOfrequency5	#2000C094	18	W
NCOfrequency6	#2000C098	18	W
NCOfrequency7	#2000C09C	18	W
NCOfrequency8	#2000C0A0	18	W
NCOfrequency9	#2000C0A4	18	W
NCOfrequency10	#2000C0A8	18	W
NCOfrequency11	#2000C0AC	18	W
NCOphase0	#2000C0C0	7	W
NCO1phase	#2000C0C4	7	W
NCOphase2	#2000C0C8	7	W
NCOphase3	#2000C0CC	7	W

Table 17.1 ST20-GP6 configuration register addresses

Register	Address	Size	Read/Write
NCPhase4	#2000C0D0	7	W
NCPhase5	#2000C0D4	7	W
NCPhase6	#2000C0D8	7	W
NCPhase7	#2000C0DC	7	W
NCPhase8	#2000C0E0	7	W
NCPhase9	#2000C0E4	7	W
NCPhase10	#2000C0E8	7	W
NCPhase11	#2000C0EC	7	W
PRNInitialVal0	#2000C100	10	W
PRNInitialVal1	#2000C104	10	W
DSPControl	#2000C140	4	W

Table 17.1 ST20-GP6 configuration register addresses

- a. Set by interrupt trigger. Cleared by interrupt grant.
- b. Set by interrupt valid. Cleared by interrupt done.
- c. Cleared by a write to **LPTimerLS** or **LPTimerMS** register.

18 Electrical specifications

Absolute maximum ratings

Operation beyond the absolute maximum ratings may cause permanent damage to the device.

All voltages are measured referred to **GND**.

Symbol	Parameter	Min	Max	Units	Notes
VDD	DC power supply	-0.5	4.5	V	
VDDrtc	Voltage at RTCVDD pin referred to GND	-0.5	4.5	V	
Ts	Storage temperature (ambient)	-55	125	°C	
Tj	Temperature under bias (junction)	-40	125	°C	1
Io	Continuous DC output current from any output pin.	-20	20	mA	2
Vi	Applied voltage to all functional pins excluding LowPowerClockIn , and notRST pins.	-0.5	VDD + 0.5	V	
Virtc	Applied voltage to LowPowerClockIn and notRST pins.	-0.5	VDDrtc + 0.5	V	
Vo	Voltage on bi-directional and output pins except notMemCE .	-0.5	VDD + 0.5	V	
Vortc	Voltage on the LowPowerClockOsc pin	-0.5	VDDrtc + 0.5	V	
PDmax	Power dissipation in package		2.0	W	

Table 18.1 Absolute maximum ratings

Notes

- 1 For a package junction to case thermal resistance of 14°C/W.
- 2 For reliability reasons the long-term current from any pin may be limited to a lower value than stated here.

Operating conditions

Symbol	Parameter	Min	Max	Units	Notes
Ta	Ambient operating temperature of case	-40	85	°C	
Tj	Operating temperature of junction	-40	125	°C	1
Vi	Applied voltage to all functional input pins and bidirectional pins excluding LowPowerClockIn and notRST pins.	0	VDD	V	
Virtc	Applied voltage to LowPowerClockIn and notRST pins	0	VDDrtc	V	
fclk	ClockIn frequency		16.5	MHz	2
Cl	Load capacitance per pin		50	pF	

Table 18.2 Operating conditions

Notes

- 1 For a package junction to case thermal resistance of 14°C/W.
- 2 The nominal input clock frequency must be 16.368 MHz for the DSP module to function correctly with the GPS satellites.

DC specifications

Symbol	Parameter	Min	Typical	Max	Units	Notes
VDD	Positive supply voltage during normal operation.	3.0	3.3	3.6	V	
VDDoff	Positive supply voltage when device is off but real time clock is running.	-0.3	0	0.3	V	
VDDrtc	Voltage at RTCVDD pin referred to GND .	2.4	3.3	3.6	V	Normal operation
VDDrtc	Voltage at RTCVDD pin referred to GND .	1.4	3.3	3.6	V	VDDoff, notRST set to 1
VDDdiff	VDD-VDDrtc during normal operation and notRST set to 1.	-0.6	0	0.6	V	1
Vih	Input logic 1 for CMOS pins ^a (except notRST pin) and TTL pins ^b .	2.0		VDD + 0.5	V	
	Input logic 1 for notRST pin.	2.4		VDD + 0.5	V	
Vil	Input logic 0 for CMOS pins.	-0.5		0.8		
	Input logic 0 for TTL pins.	-0.5		0.8		
Iin	Input current to input pins.	-10		10	μA	
Ioz	Off state digital output current.	-50		50	μA	
Vohdc	Output logic 1	2.4		VDD	V	2
Voldc	Output logic 0	0		0.4		2
Cin	Input capacitance (input only pins).		4	10	pF	
Cout	Output capacitance and capacitance of bidirectional pins.		6	15	pF	
Pop	Operational power consumption under heavy device activity. fclk of 16.368 MHz and SpeedSelect set to PLL operation (x1). No external memory used.		100mW	1W		3
Papp	Operational power consumption under 'typical' device activity. fclk of 16.368 MHz and SpeedSelect set to PLL operation (x2). External memory used.		150mW	1W		3
Pstby	Operational power during stand-by.		10mW		mW	4
Prtc	Operational power for the real time clock and 16K RAM, supplied through the RTCVDD pin.		40μW		μW	5

Table 18.3 DC specification

- a. CMOS pins: LowPowerClockIn, LowPowerClockOsc, LowPowerStatus, notWdReset, WdEnable, ClockIn, SpeedSelect0-1, notRST, TriggerOut, TriggerIn, Interrupt0-1, EnableIntROM, BusWidth, TXD0-1, RXD0-1, PIO0[0-7] and PIO1[0-7], TDI, TMS, TCK, notTRST, TDO, GPSIF.
- b. TTL pins: MemAddr1-19, MemData0-15, MemWait, MemReadnotWrite, notMemOE, notMemCE0-3, notMemBE0-1

Notes

- 1 This is the static specification to ensure low current.
- 2 Output load of 2mA on all pins except PIO. Output load of 4mA on PIO.
- 3 Excludes power used to drive external loads. Includes operation of the 32 KHz watch crystal oscillator.
- 4 Device operation suspended by use of the low power controller with **VDD** and **RTCVD** within specification. Frequency of system clock (fclk) is 16.368 MHz and frequency of low power clock is 32768 Hz.
- 5 With **RTCVD** at 2.4 V and **VDD** at 0 V. All inputs static except **LowPowerClockIn** and **LowPowerClockOsc**, frequency of low power clock 32768 Hz. All other inputs must be in the range -0.1 to 0.1 V.

Analogue specifications

LowPowerClockIn and **LowPowerClockOsc** analogue pins are dedicated low power pins and should only be connected as in Figure 13.1 on page 74. Due to their high impedance, they must not be monitored or loaded by test equipment.

AC specifications

Symbol	Parameter	Min	Typical	Max	Units	Notes
tvddr	Rise time of VDD during power up (measured between 0.3 V and 2.7 V).	5 ns		100 ms		1, 2
tvddf	Fall time of VDD during power down (measured between 2.7 V and 0.3 V).	5 ns		100 ms		1, 2

Table 18.4 AC Specification

Notes

- 1 The maximum is only a guideline to ensure a low current consumption during the change in **VDD**.
- 2 The transition need not be monotonic, providing that the **notRST** pin is forced low during the whole period while the main **VDD** voltage is not within limits set in the DC operating conditions.

19 GPS Performance

This chapter details the performance of a ST20-GP6 based GPS receiver.

Note that the performance is dependent on the quality of the user radio, antenna and software used to track the signal and to calculate the resultant position.

19.1 Accuracy

19.1.1 Benign site

The accuracy performance of a GPS receiver is dependent on external factors, in particular the deliberate degradation of the signal by the US DoD, known as Selective Availability (SA). This results in an error specification of 100m.

If signal errors are corrected by differential GPS, the ST20-GP6 can achieve better than 1m accuracy with 1-second rate corrections. Note that the ST20-GP6 supports the RTCA-SC159 provided corrections with no additional hardware.

For surveying use, the resolution of the counters used in the phase/frequency tracking allows resolution down to 1mm.

	Accuracy
Stand alone	
with Selective Availability	< 100m
without Selective Availability	< 30m
Differential	< 1m
Surveying	< 1cm

Table 19.1 Accuracy performance

19.1.2 Under harsh conditions

Under harsh conditions, accuracy degrades due to:

- noise on the weakened signal
- reflected signals from buildings and cliffs
- obstruction of satellites

The ST20-GP6 pays a 2 dB signal/noise ratio penalty by using 1-bit signal coding, there are then no further losses in the signal processing hardware. The fast sampling rate, with both in-phase and quadrature channels, results in the subsequent processing being 11 dB better, on a signal to noise ratio, than earlier systems that sample at 2 MHz. Thus there is a 9 dB overall improvement.

19.2 Time to first fix

Condition	Receiver situation	Time to first fix
autonomous start	the receiver has no estimate of time/date/position and no recent almanac	90s
cold start	the receiver has estimated time/date/position and almanac	45s
warm start	the receiver has estimated time/date/position and almanac and still valid ephemeris data	7s
obscuration	the receiver has precise time (to μs level) as its calibrated clock is not stopped	1s

Table 19.2 Time to first fix

20 Timing specifications

20.1 EMI timings

The 'Reference Clock' used in the EMI timings is a virtual clock and is defined as the point at which all EMI strobe and address outputs programmed to change at the start of a memory cycle have become valid. This is designed to remove process dependent skews from the datasheet description and highlight the dominant influence of address and strobe timings on memory system design.

Symbol	Parameter	Min	Max	Units	Notes
tCHAV	Reference clock high to Address valid	-9	0	ns	
tCLSV	Reference clock low to Strobe valid	-11	3	ns	1
tCHSV	Reference clock high to Strobe valid	-9	0	ns	
tRDVCH	Read Data valid to Reference clock high	10		ns	2
tCHRD	Read Data hold after Reference clock high	0		ns	2
tSVRDX	Read Data hold after Strobe valid	0		ns	
tCHWDV	Reference clock high to Write Data valid		2	ns	
tWVCH	MemWait valid to Reference clock high	20		ns	
tCHWX	MemWait hold after Reference clock high	0		ns	

Table 20.1 EMI cycle timings

Notes:

- 1 **MemReadnotWrite** strobe — not applicable as it does not change state mid cycle.
- 2 Timed relative to the end of the access cycle. There could be many clocks in the access cycle, and the strobes may be programmed to go inactive at a previous clock cycle.

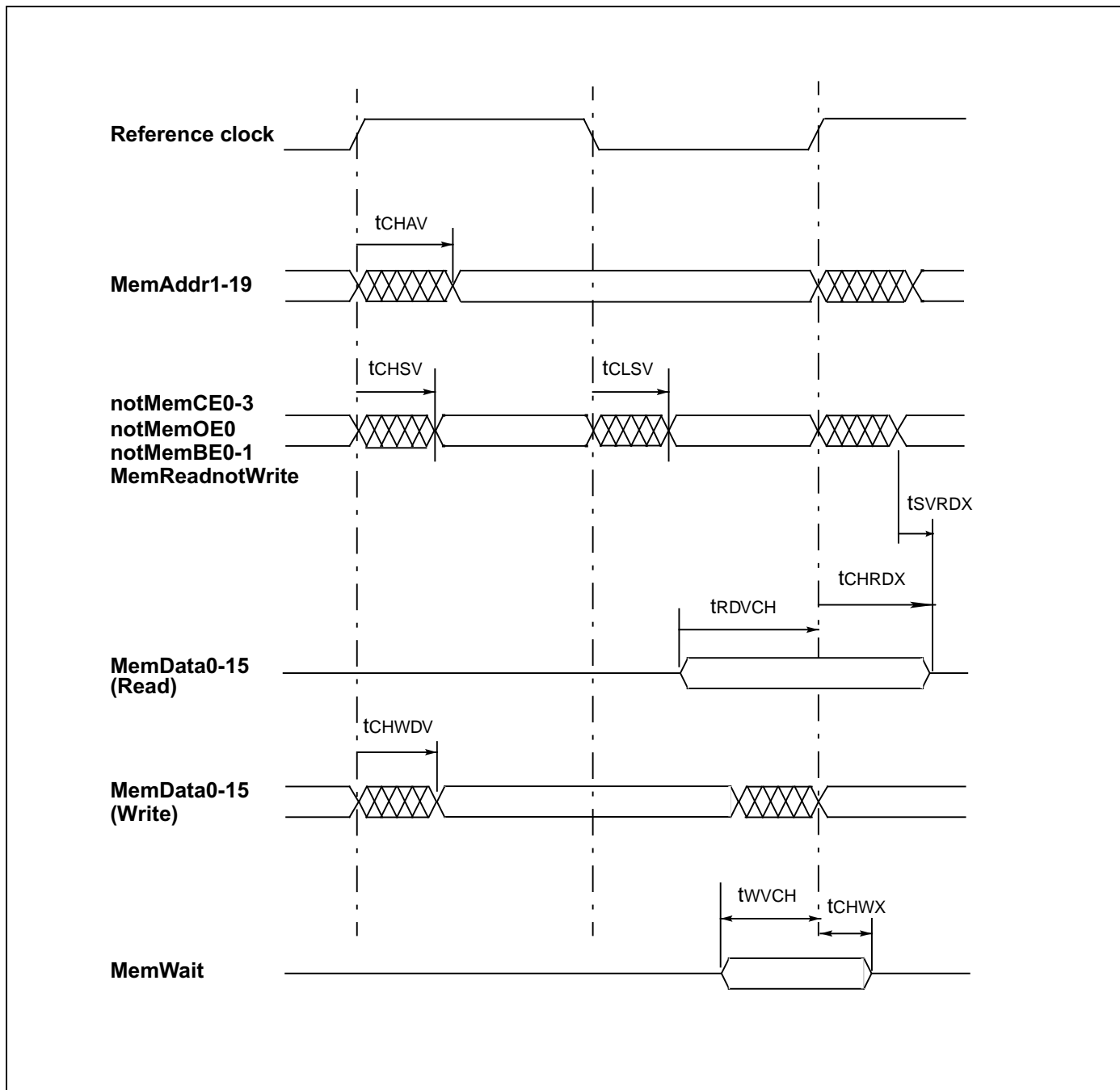


Figure 20.1 EMI timings

20.2 Reset timings

Symbol	Parameter	Min	Nom	Max	Units	Notes
trSTHRSTL	notRST pulse width low with a stable VDD	8			ClockIn	

Table 20.2 Reset timings

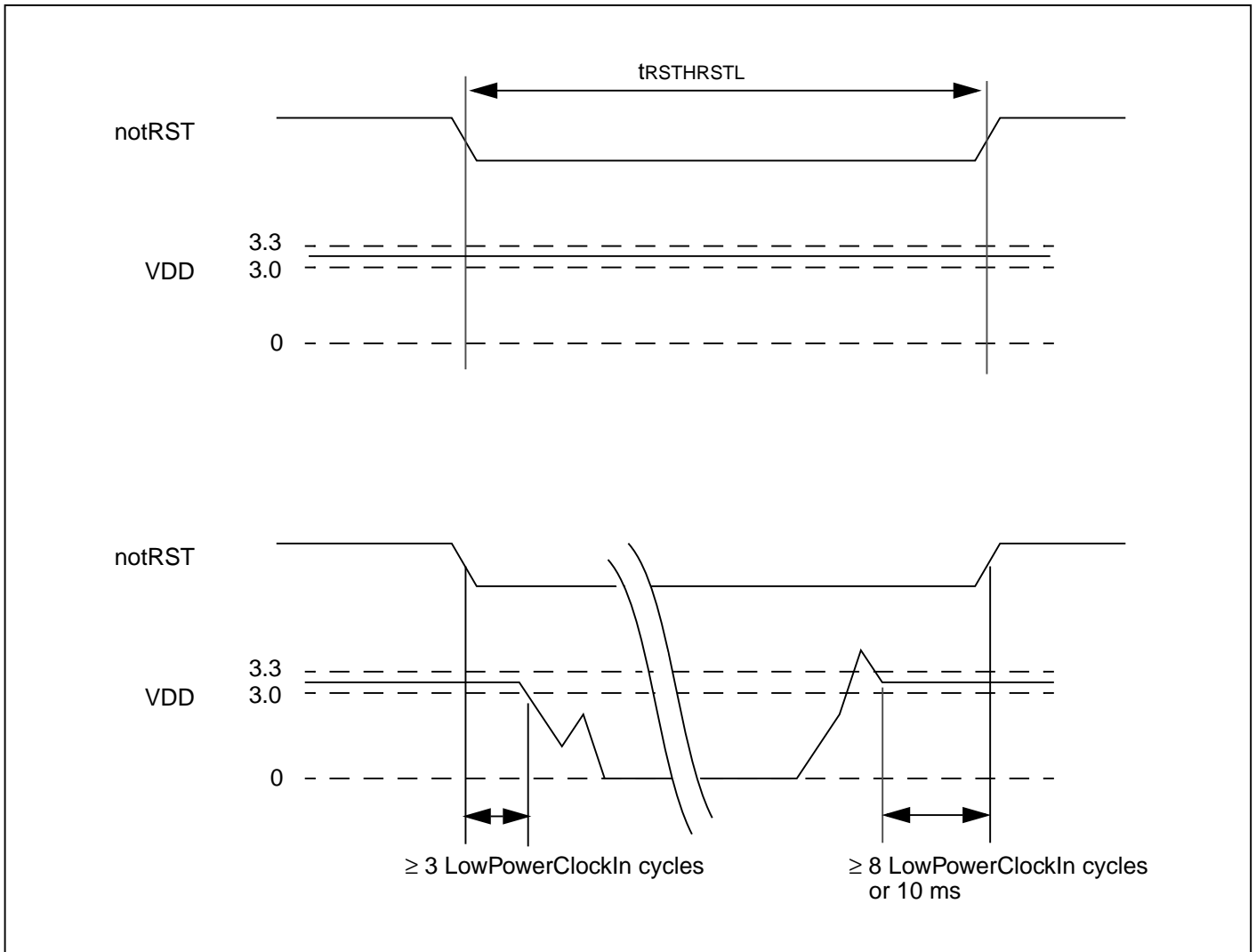


Figure 20.2 Reset timings

20.3 PIO timings

Reference clock in this case means the last transition of any PIO signal.

Symbol	Parameter	Min	Max	Units	Note
t_{PCHPOV}	PIO_refclock high to PIO output valid	-2	0	ns	
t_{IOr}	Output rise time	7	30	ns	1
t_{IOf}	Output fall time	7	30	ns	1

Table 20.3 PIO timings

Notes:

- 1 Load = 50pf

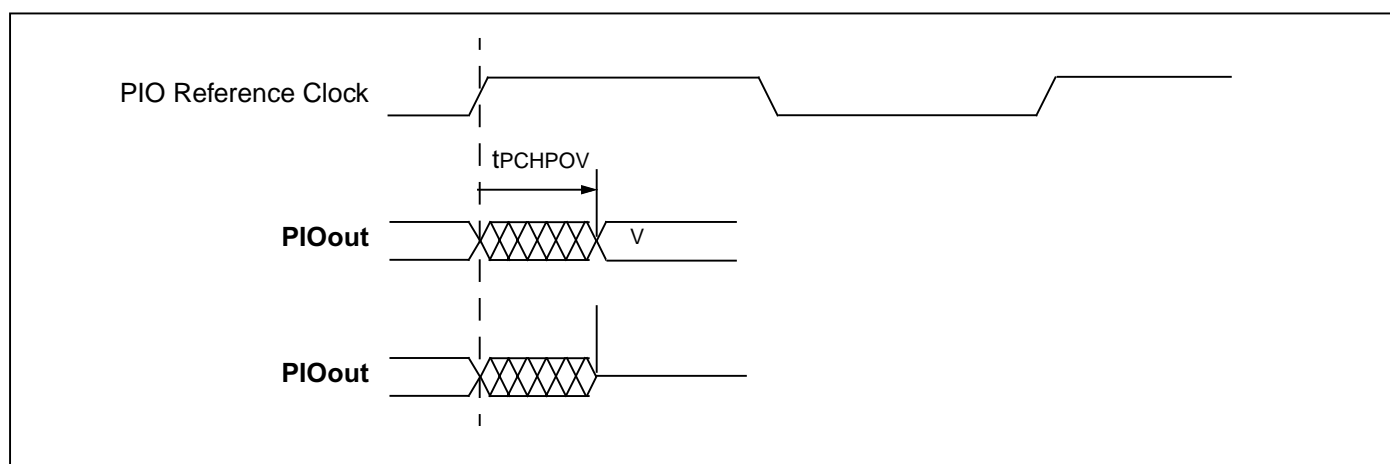


Figure 20.3 PIO timings

20.4 ClockIn timings

Symbol	Parameter	Min	Nom	Max	Units	Notes
tDCLDCH	ClockIn pulse width low for PLL operation	20		40	ns	1, 2
tDCHDCL	ClockIn pulse width high for PLL operation	20		40	ns	1, 2
tDCr	ClockIn rise time for PLL operation			20	ns	1
tDCf	ClockIn fall time for PLL operation			20	ns	1
tGDVCH	GPSIF valid before clock rising edge	20			ns	
tCHGDX	GPSIF valid after clock rising edge	10			ns	

Notes

- 1 Clock transitions must be monotonic within the range V_{IH} to V_{IL} (see Electrical Specifications Chapter 18 on page 102).
- 2 In TimesOneMode, excursions from a 50/50 mark-space ratio will map directly into EMI phases which will then *not* be of equal duration.

Table 20.4 **ClockIn** timings

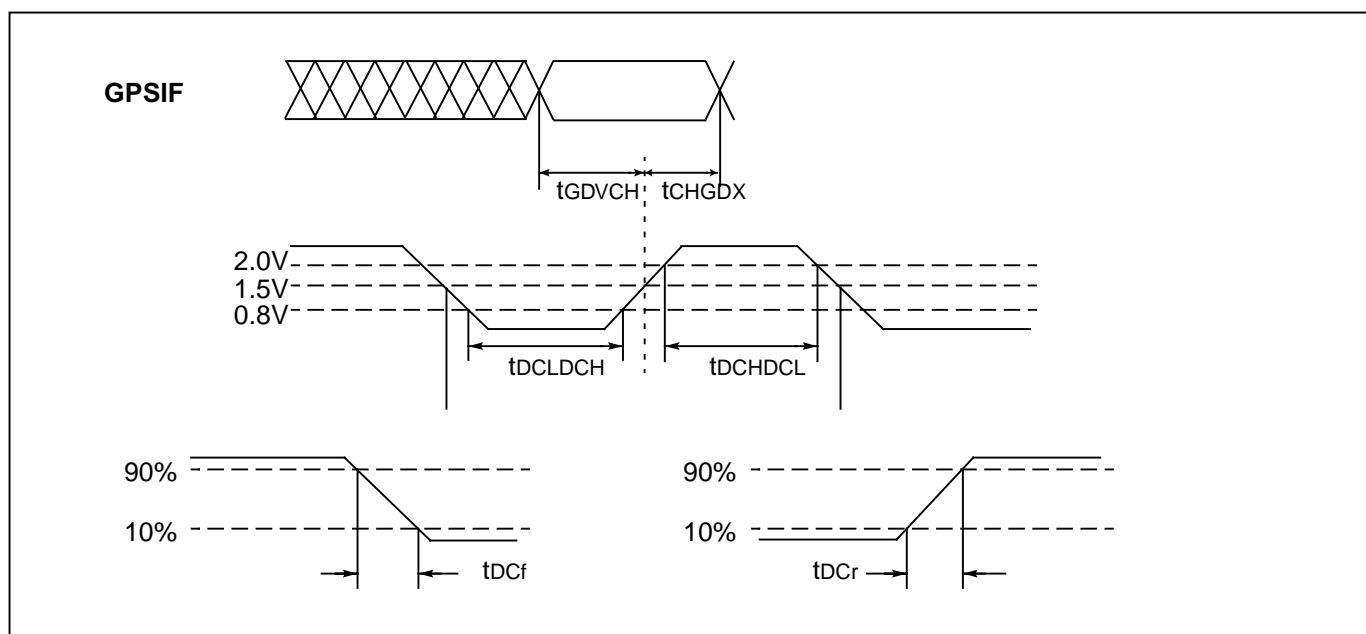


Figure 20.4 **ClockIn** timings

20.4.1 ClockIn frequency

Nominal **ClockIn** frequency is 16.36800 Mhz ± 50 ppm tolerance. This tolerance relates to the GPS system requirements and not for the device to function.

20.5 JTAG IEEE 1149.1 timings

The IEEE 1149.1 TAP will function at 5 MHz **TCK** with the following timings. All other electrical characteristics of the TAP pins are as defined in the Electrical Specifications chapter.

Symbol	Parameter	Min	Nom	Max	Units
Tsetup	Set-up time	10			ns
Thold	Hold time	10			ns
Tprop	Propagation delay			50	ns

Table 20.5 IEEE 1149.1 TAP timings

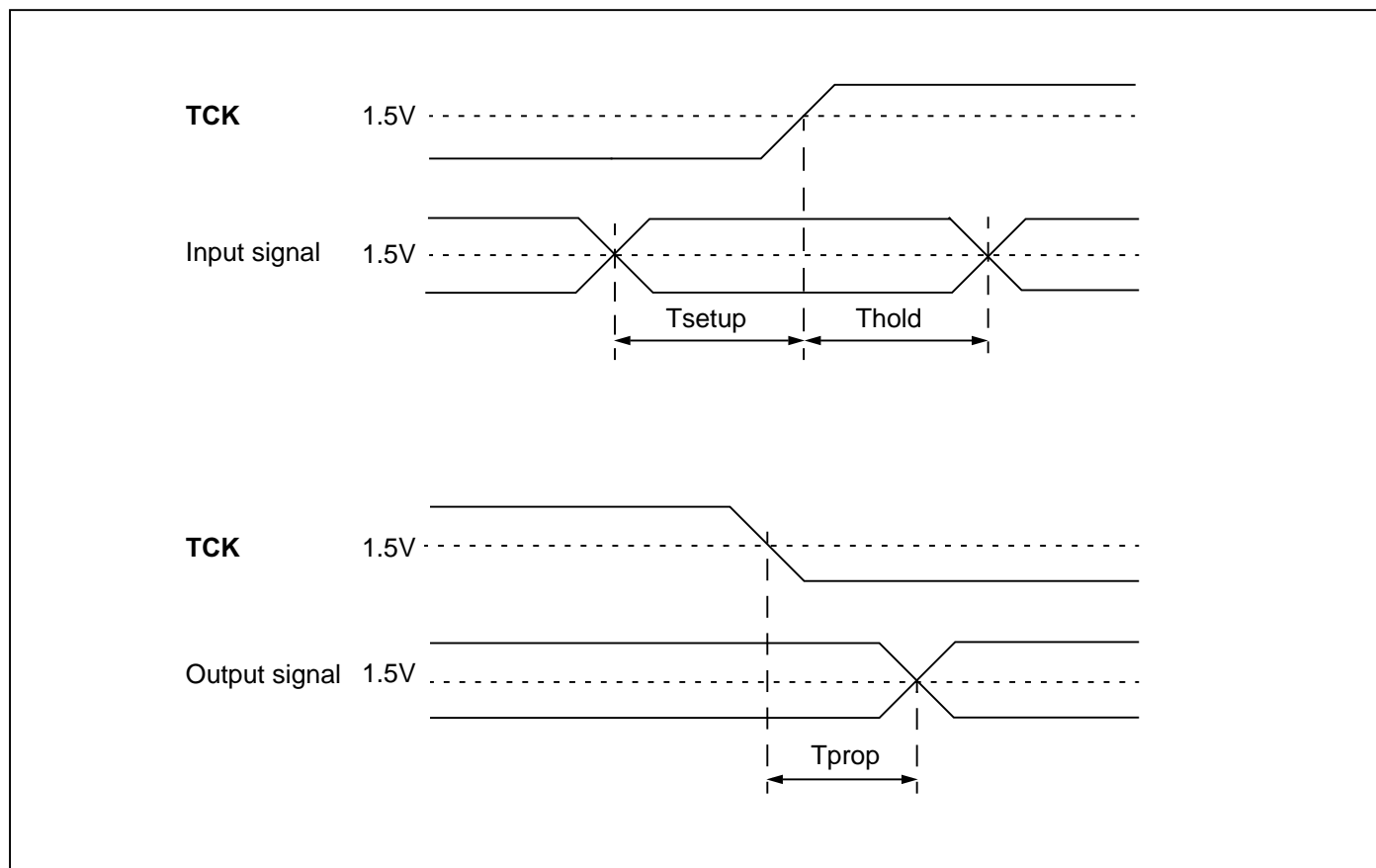


Figure 20.5 IEEE 1149.1 TAP timings

21 Pin list

Signals names are prefixed by **not** if they are active low, otherwise they are active high.

Supplies

Pin	In/Out	Function
VDD		Power supply
GND		Ground
RTCVD		Real time clock and battery-backed SRAM supply

Table 21.1 ST20-GP6 supply pins

Interrupts

Pin	In/Out	Function
Interrupt0-1	in	Interrupts

Table 21.2 ST20-GP6 interrupt pins

Memory

Pin	In/Out	Function
MemAddr1-19	out	Address bus
MemData0-15	in/out	Data bus. Data0 is the least significant bit (LSB) and Data15 is the most significant bit (MSB).
MemWait	in	Memory cycle extender
MemReadnotWrite	out	Indicates if current access is a read or a write
notMemOE	out	Output enable strobe
notMemCE0-3	out	Chip enable strobes – one per bank
notMemBE0-1	out	Used as byte enable, or MemAddr0 on 8-bit bus
BusWidth	in	Selects 8 or 16-bit bus at reset

Table 21.3 ST20-GP6 memory pins

Low power controller and real time clock

Pin	In/Out	Function
LowPowerClockIn	in	Low power input clock
LowPowerClockOsc	in/out	Low power clock oscillator
LowPowerStatus	out	Low power status
notWdReset	out	Watchdog timer reset
WdEnable	in	Watchdog timer enable

Table 21.4 ST20-GP6 low power controller and real time clock pins

System services

Pin	In/Out	Function
ClockIn	in	System input clock
SpeedSelect0-1	in	Speed selectors
notRST	in	Reset
TriggerOut	out	Trigger output from DCU
TriggerIn	in	Trigger input to DCU

Table 21.5 ST20-GP6 system services pins

UART

Pin	In/Out	Function
TXD0-1	out	UART serial data output
RXD0-1	in	UART serial data input

Table 21.6 ST20-GP6 UART pins

Parallel IO

Pin	In/Out	Function
PIO0[0-7]	in/out	PIO port 0
PIO1[0-7]	in/out	PIO port 1

Table 21.7 ST20-GP6 parallel IO pins

Test access port

Pin	In/Out	Function
TDI	in	Test data input
TMS	in	Test mode select
TCK	in	Test clock
notTRST	in	Test logic reset
TDO	out	Test data output

Table 21.8 ST20-GP6 parallel IO pins

Application specific

Pin	In/Out	Function
GPSIF	in	GPS IF input

Table 21.9 ST20-GP6 application specific pins

Miscellaneous

Pin	In/Out	Function
ConnectToGND		Must be connected to GND

Table 21.10 ST20-GP6 miscellaneous pins

22 Package specifications

The ST20-GP6 is available in a 100 pin plastic quad flat pack (PQFP) package.

22.1 ST20-GP6 package pinout

Pin	Pin name	I/O
1	PIO1<0>	I/O
2	PIO1<1>	I/O
3	PIO1<2>	I/O
4	PIO1<3>	I/O
5	PIO1<4>	I/O
6	VDD	
7	PIO1<5>	I/O
8	PIO1<6>	I/O
9	PIO1<7>	I/O
10	GND	
11	SpeedSelect1	I
12	SpeedSelect0	I
13	WdEnable	I
14	notWdReset	O
15	LowPowerStatus	O
16	RTCVDD	
17	LowPowerClockOsc	I/O
18	LowPowerClockIn	I/O
19	notRST	I
20	ConnectToGND	I
21	BusWidth	I
22	notMemCE<0>	O
23	VDD	
24	notMemCE<1>	O
25	notMemCE<2>	O
26	notMemCE<3>	O
27	GND	
28	notMemOE	O
29	memReadnotWrite	O
30	memWait	I

Table 22.1 ST20-GP6 package pinout

Pin	Pin name	I/O
31	memAddr<19>	O
32	memAddr<18>	O
33	memAddr<17>	O
34	memAddr<16>	O
35	memAddr<15>	O
36	memAddr<14>	O
37	memAddr<13>	O
38	memAddr<12>	O
39	memAddr<11>	O
40	VDD	
41	GND	
42	memAddr<10>	O
43	memAddr<9>	O
44	memAddr<8>	O
45	memAddr<7>	O
46	memAddr<6>	O
47	memAddr<5>	O
48	memAddr<4>	O
49	memAddr<3>	O
50	memAddr<2>	O
51	memAddr<1>	O
52	notMemBE<1>	O
53	notMemBE<0>	O
54	memData<15>	I/O
55	memData<14>	I/O
56	VDD	
57	memData<13>	I/O
58	memData<12>	I/O
59	memData<11>	I/O
60	GND	
61	memData<10>	I/O
62	memData<9>	I/O
63	memData<8>	I/O
64	memData<7>	I/O
65	memData<6>	I/O

Table 22.1 ST20-GP6 package pinout

Pin	Pin name	I/O
66	memData<5>	I/O
67	memData<4>	I/O
68	memData<3>	I/O
69	memData<2>	I/O
70	memData<1>	I/O
71	VDD	
72	memData<0>	I/O
73	notTRST	I
74	TCLK	I
75	GND	
76	TMS	I
77	TDI	I
78	TDO	O
79	TriggerIn	I
80	TriggerOut	O
81	PIO0<0>	I/O
82	PIO0<1>	I/O
83	PIO0<2>	I/O
84	PIO0<3>	I/O
85	PIO0<4>	I/O
86	PIO0<5>	I/O
87	PIO0<6>	I/O
88	PIO0<7>	I/O
89	clockIn	I
90	VDD	
91	GND	
92	GPSIF	I
93	Interrupt<1>	I
94	Interrupt<0>	I
95	RXD<0>	I
96	TXD<0>	O
97	RXD<1>	I
98	TXD<1>	O
99	VDD	
100	GND	

Table 22.1 ST20-GP6 package pinout

22.2 100 pin PQFP package dimensions

REF.	CONTROL DIM. mm			ALTERNATIVE DIM. INCHES			NOTES
	min	nom	max	min	nom	max	
A	-	-	3.400	-	-	0.134	
A1	0.100	-	-	0.004	-	-	
A2	2.540	2.800	3.050	0.096	0.110	0.120	
B	0.220	-	0.380	0.009	-	0.015	
C	0.130	-	0.230	0.005	-	0.009	
D	22.950	-	24.150	0.904	-	0.951	
D1	19.900	20.000	20.100	0.783	0.787	0.791	
D3	-	18.850	-	-	0.742	-	REF
E	16.950	-	18.150	0.667	-	0.715	
E1	13.900	14.000	14.100	0.547	0.551	0.555	
E3	-	12.350	-	-	0.486	-	REF
e	-	0.650	-	-	0.026	-	BSC
G	-	-	0.100	-	-	0.004	
K	0°	-	7°	0°	-	7°	
L	0.650	0.800	0.950	0.026	0.031	0.037	
Zd	-	0.580	-	-	0.23	-	REF
Ze	-	0.830	-	-	0.033	-	REF

Notes

- 1 Lead finish to be 60 Sn/40 Pb solder plate.
- 2 Maximum lead displacement from the notional centre line will be no greater than ± 0.125 mm.

Table 22.2 100 pin PQFP package dimensions

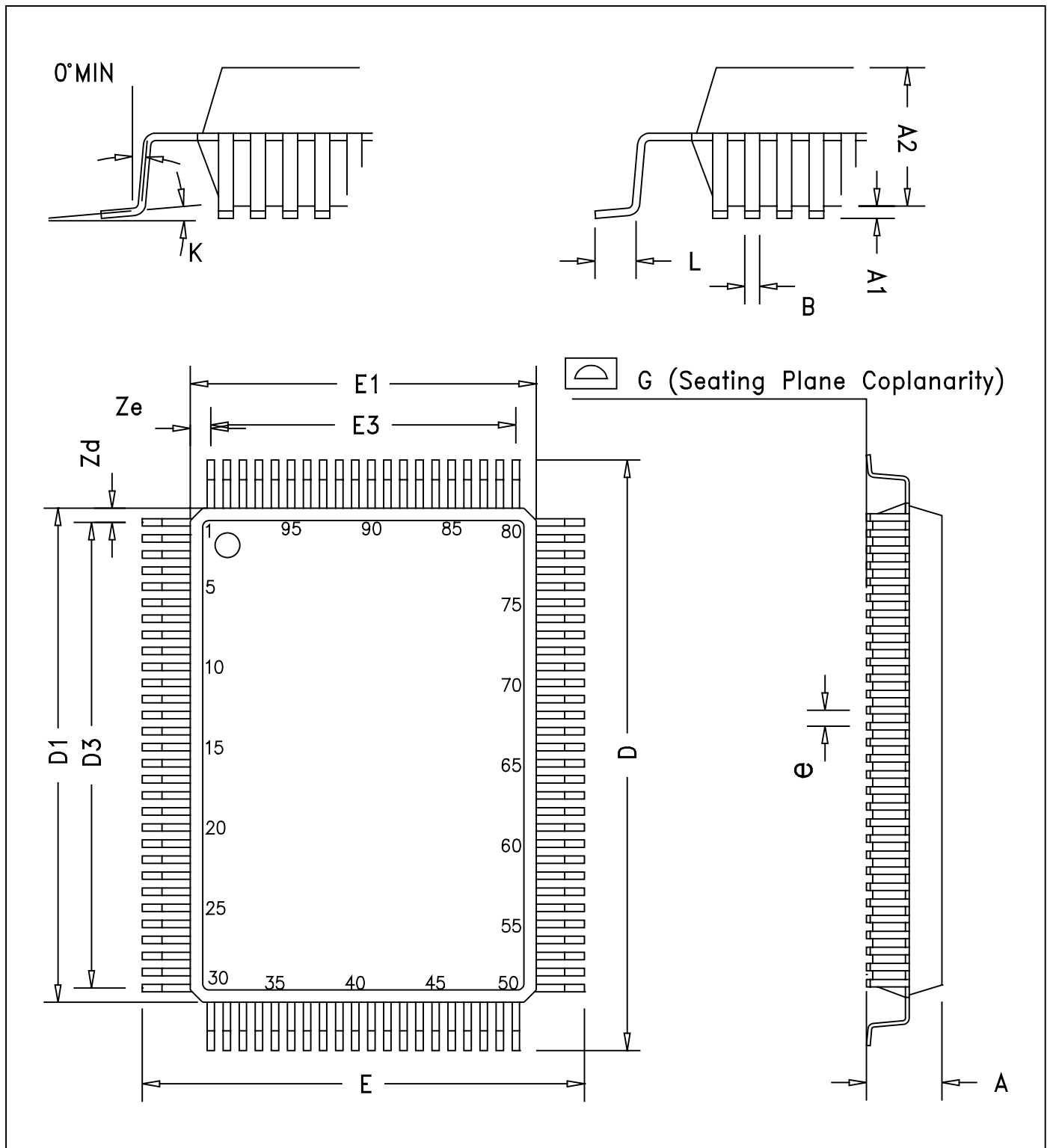


Figure 22.1 100 pin PQFP package dimensions

23 Test access port

The ST20-GP6 Test Access Port (TAP) conforms to IEEE standard 1149.1.

The TAP consists of five pins: **TMS**, **TCK**, **TDI**, **TDO** and **notTRST**.

The instruction register is 5 bits long, with no parity, and the pattern “00001” is loaded into the register during the *Capture-IR* state.

There are four defined public instructions, see Table 23.1. All other instruction codes are reserved.

Instruction code ^a					Instruction	Selected register
0	0	0	0	0	EXTEST	Boundary-Scan
0	0	0	1	0	IDCODE	Identification
0	0	0	1	1	SAMPLE/PRELOAD	Boundary-Scan
1	1	1	1	1	BYPASS	Bypass

Table 23.1 Instruction codes

a. MSB ... LSB; LSB closest to **TDO**.

There are three test data registers; **Bypass**, **Boundary-Scan** and **Identification**. These registers operate according to 1149.1. The **Boundary-Scan** register is not supported on the ST20-GP6.

24 Device ID

The identification code for the ST20-GP6 is #*m*5196041, where *m* is a manufacturing revision number reserved by STMicroelectronics. See Table 24.1.

bit 31																														bit 0												
Mask rev		ST20 family					Variant						STMicroelectronics manufacturers id						a																							
<i>reserved</i>		0	1	0	1	0	0	0	1	1	0	0	1	0	1	1	0	0	0	0	0	0	1	0	0	0	0	0	1													
		5					1						9						6						0						4						1					

Table 24.1 Identification code

a. Defined as 1 in IEEE 1149.1 standard.

The identification code is returned by the *Idprodid* instruction, see Table 7.4 on page 42.

25 Revision History

Table 25.1 Revision History

Date	Revision	Description of Changes
December 1998	1	First Issue
October 2004	2	Changed from Preliminary Data to Final datasheet.

Information furnished is believed to be accurate and reliable. However, STMicroelectronics assumes no responsibility for the consequences of use of such information nor for any infringement of patents or other rights of third parties which may result from its use. No license is granted by implication or otherwise under any patent or patent rights of STMicroelectronics. Specifications mentioned in this publication are subject to change without notice. This publication supersedes and replaces all information previously supplied. STMicroelectronics products are not authorized for use as critical components in life support devices or systems without express written approval of STMicroelectronics.

The ST logo is a registered trademark of STMicroelectronics.

All other names are the property of their respective owners

© 2004 STMicroelectronics - All rights reserved

STMicroelectronics group of companies

Australia - Belgium - Brazil - Canada - China - Czech Republic - Finland - France - Germany - Hong Kong - India - Israel - Italy - Japan - Malaysia - Malta - Morocco - Singapore - Spain - Sweden - Switzerland - United Kingdom - United States of America

www.st.com