



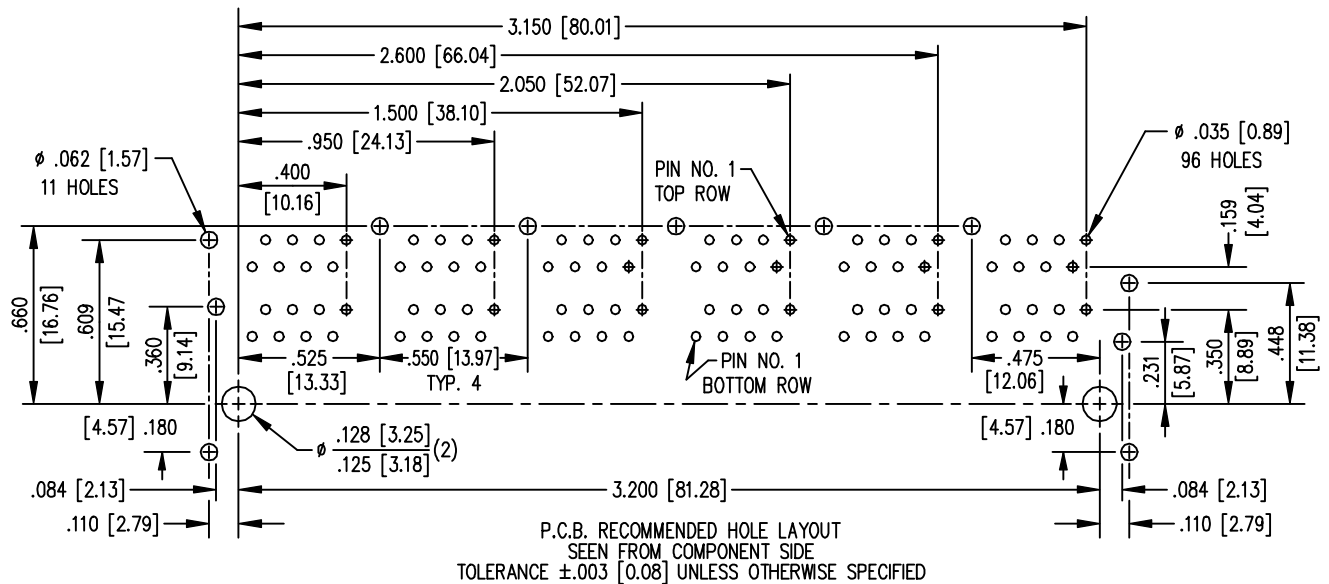
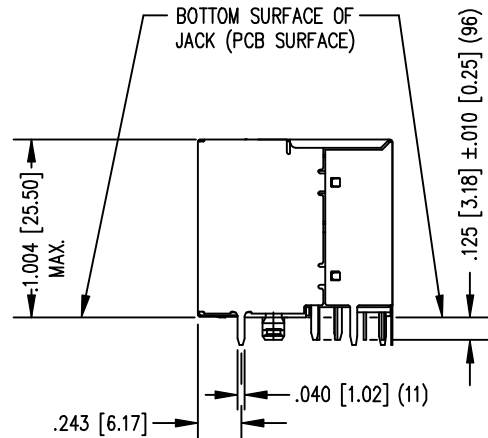
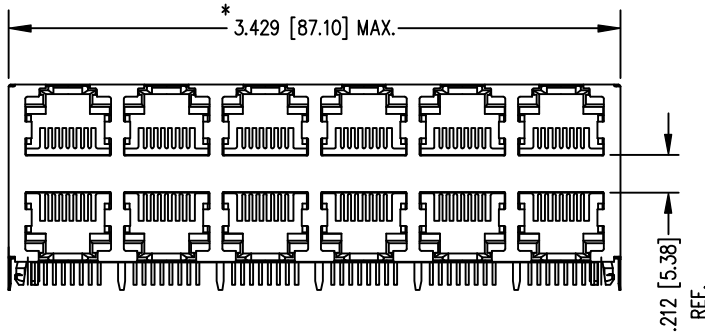
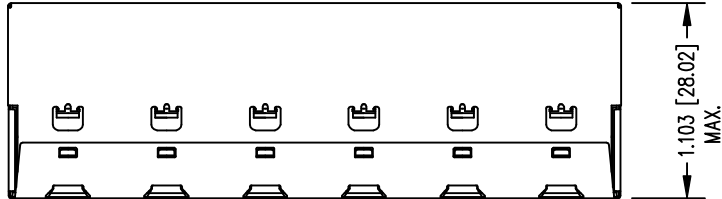
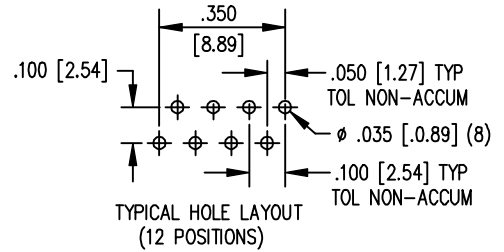
Stewart Connector Systems, Inc.
Insilco Technologies Group
 11118 Susquehanna Trail South
 Glen Rock, PA 17327-9199
 (717) 235-7512 Fax: (717) 235-7954

REV.	REVISION CHANGES
X0	AS DRAWN
A0	PRODUCT BASELINE
A1	CORRECTED SOLDER TAIL LOCATION

PART NO. SS-73100-021

FOR REFERENCE ONLY

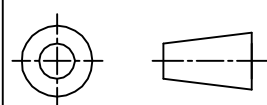
CATEGORY 3 SHIELDED STACK JACK
 EIGHT CONTACT, EIGHT POSITION
 50 MICRO INCHES GOLD
 12 PORTS (6 ON 6)



NOTES:

- TOLERANCES COMPLY WITH F.C.C. DIMENSION REQUIREMENTS.
- DIMENSIONS SHOWN WITH "*" TO BE CENTRAL ABOUT CENTER LINE.
- DIMENSIONS SHOWN ARE SUBJECT TO CHANGE WITHOUT NOTICE.

THIRD ANGLE PROJECTION



THIS DRAWING AND THE SUBJECT MATTER SHOWN THEREON ARE CONFIDENTIAL AND THE PROPRIETARY PROPERTY OF STEWART CONNECTOR SYSTEMS ("SCS") AND SHALL NOT BE REPRODUCED, COPIED OR USED IN ANY MANNER WITHOUT PRIOR WRITTEN CONSENT OF "SCS". THE SUBJECT MATTER MAY BE PATENTED OR A PATENT MAY BE PENDING. © SCS