

ELECTRICAL SPECIFICATIONS:

1.0 TURNS RATIO (P6-P5-P4) : (J6-J3)
 (P3-P2-P1) : (J2-J1)

2.0 INDUCTANCE (P6-P5-P4)
 (P3-P2-P1)

3.0 LEAKAGE INDUCTANCE P6-P5-P4 (WITH J6 AND J3 SHORT)
 P3-P2-P1 (WITH J2 AND J1 SHORT)

4.0 INTERWINDING CAPACITANCE (P6,P5,P4) TO (J6,J3)
 (P3,P2,P1) TO (J2,J1)

5.0 DC RESISTANCE (J6-J3)=(J2-J1)

: 1CT : 1CT ± 3%
 : 1CT : 1CT ± 3%

: 350uH MIN. @ 0.1V , 100KHz, 8mA DC Bias
 : 350uH MIN. @ 0.1V, 100KHz, 8mA DC Bias

: 0.3 MAX. @ 1MHz
 : 0.3 MAX. @ 1MHz

: 30pf MAX @ 1MHz
 : 30pf MAX. @ 1MHz

: 1.2 ohms Max.

NOTES

1.0 PINS WITHOUT ELECTRICAL CONNECTION ARE OMITTED.

InNet Technologies Inc.
<http://www.innet-tech.com>
 Stewart Connector Systems
<http://www.stewartconnector.com>

6.0 RETURN LOSS: (P6-P4)=100 OHMS AND (P1-P3)=100 OHM REF.
 1MHz TO 30MHz : 18dB MIN.
 60MHz TO 80MHz : 12dB MIN.
 NOTE: 100 OHMS CONNECTED TO (J2-J1) OR (J6-J3).

7.0 VOLTAGE WITHSTAND:
 (J1, J2) TO (P1, P3) : 1500 VAC
 (J3, J6) TO (P4,P6) : 1500 VAC

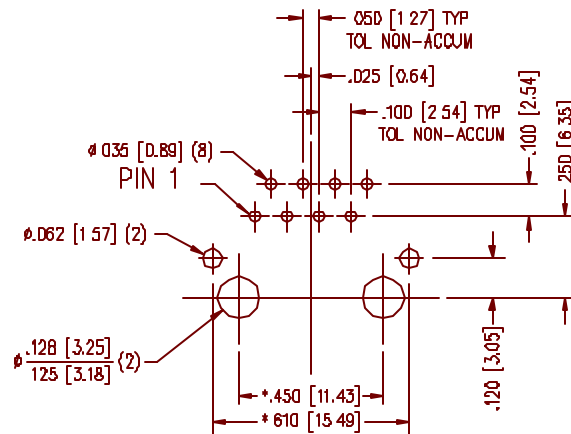
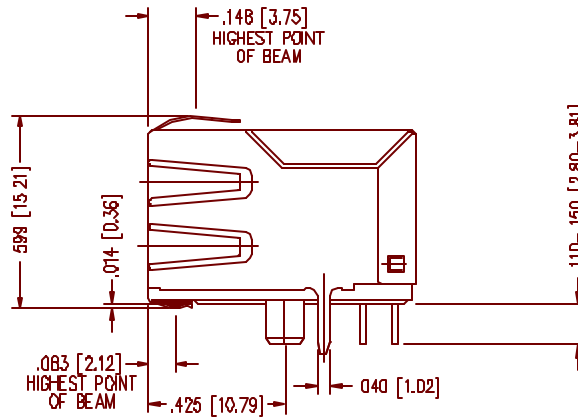
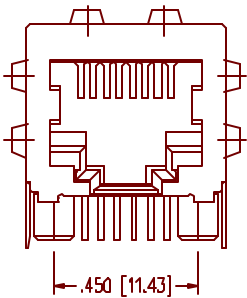
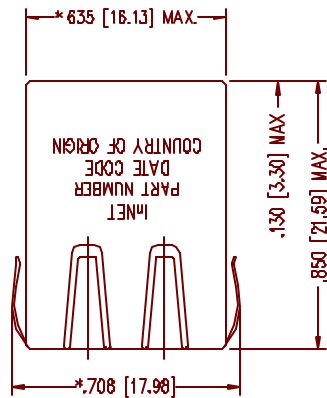
8.0 INSERTION LOSS: RS=RL=100 ohms
 100KHz TO 100MHz 1.1 dB TYP

9.0 RISE TIME: RS=100 OHMS AND RL = 100 OHMS
 OUTPUT VOLTAGE = 1 V peak 3.0 nS MAX
 PULSE WIDTH= 112nS 3.0 nS MAX

10.0 CROSS TALK:
 1MHz TO 100MHz 40 dB TYP

11.0 COMMON TO COMMON MODE ATTENUATION:
 30MHz TO 100MHz 35dB TYP

InNet Technologies Inc. http://www.innet-tech.com Stewart Connector Systems http://www.stewartconnector.com		
SHEET 2 OF 4	DRAWING NO. CH0042-S1	REV. 04



P.C.B. RECOMMENDED HOLE LAYOUT
 SEEN FROM COMPONENT SIDE
 TOLERANCE ± 0.03 [0.08] UNLESS OTHERWISE SPECIFIED

NOTES:

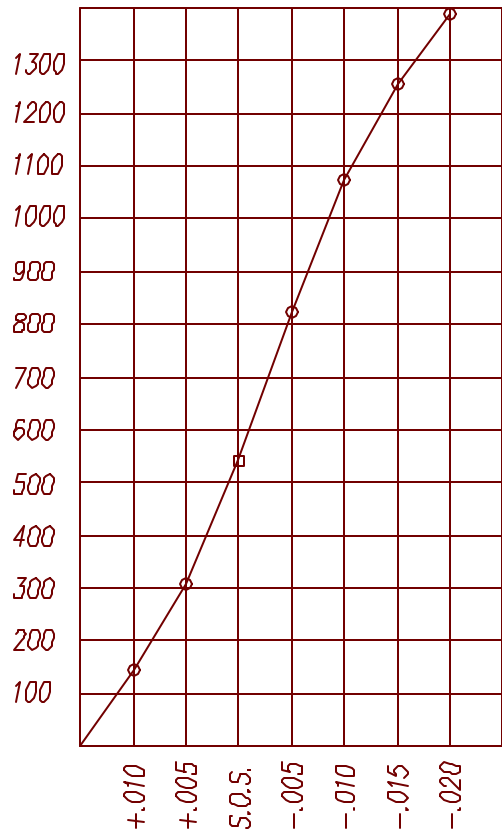
- TOLERANCES COMPLY WITH F.C.C. DIMENSION REQUIREMENTS
- DIMENSIONS SHOWN WITH \pm TO BE CENTRAL ABOUT CENTER LINE
- DIMENSIONS SHOWN ARE SUBJECT TO CHANGE WITHOUT NOTICE.
- PIN NOT ELECTRICALLY CONNECTED MAYBE OMITTED SEE ELECTRICAL DRAWING FOR OMITTED PINS.
- HIGH TEMPERATURE VERSION.

AVAILABLE WITH:

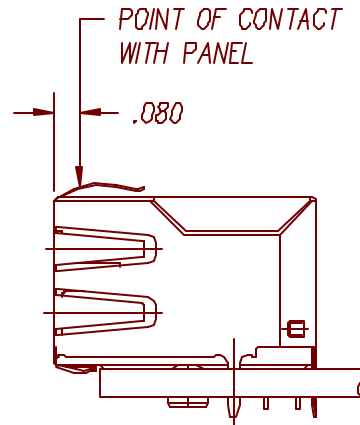
- STANDARD 50 MICRO-INCH SELECTIVE GOLD PLATING

CT720034X1/24-0012

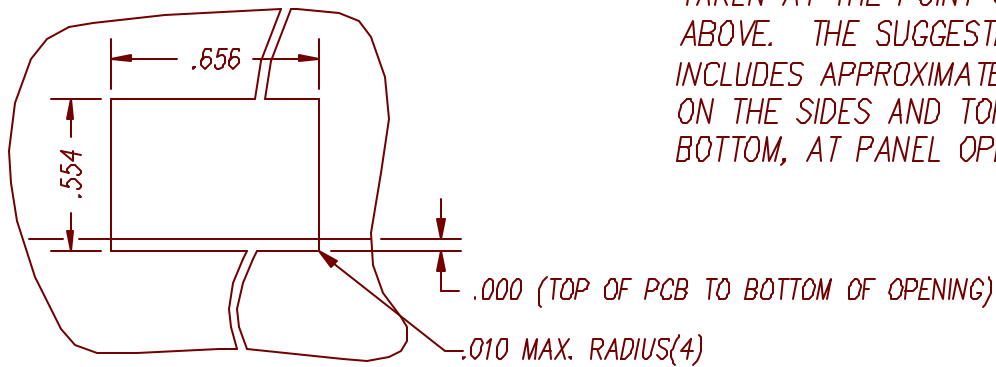
INNet TECHNOLOGIES, Inc. 10635 Scripps Ranch Blvd, Suite F, San Diego, Ca. 92131			
SIZE A	FSCM NO.	DRAWING NO. CH0042-S1	REV. 02
SCALE NONE	RELEASE DATE	SHEET 3 of 4	



PANEL GROUNDING BEAM DEFLECTION
S.O.S. = SUGGESTED OPENING SIZE



THE SUGGESTED PANEL OPENING IS INTENDED TO GIVE THE USER THE ABILITY TO HAVE REASONABLE JACK / PANEL CLEARANCES YET MAINTAIN RELIABLE GROUNDING CAPABILITY. THESE VARIABLES CAN BE ADJUSTED IN EITHER DIRECTION BUT MAY CARRY SOME CONSEQUENCES IN THE FORM OF LOWER MATING FORCES OR TIGHTER ASSEMBLY TOLERANCES. FORCE VALUES ON THE GRAPH ARE GENERAL AVERAGES TAKEN AT THE POINT OF CONTACT SHOWN ABOVE. THE SUGGESTED PANEL OPENING INCLUDES APPROXIMATELY .020 CLEARANCE ON THE SIDES AND TOP AND .013 ON THE BOTTOM, AT PANEL OPENING.



SUGGESTED PANEL OPENING

CT720034X1/24-001302

IN Net TECHNOLOGIES, Inc. 10635 Scripps Ranch Blvd. Suite F, San Diego, Ca. 92131			
SIZE A	FSCM NO.	DRAWING NO. CH0042-S1	REV. 02
SCALE NONE	RELEASE DATE	SHEET 4 of 4	