

## CMOS 8-Bit Microcontroller

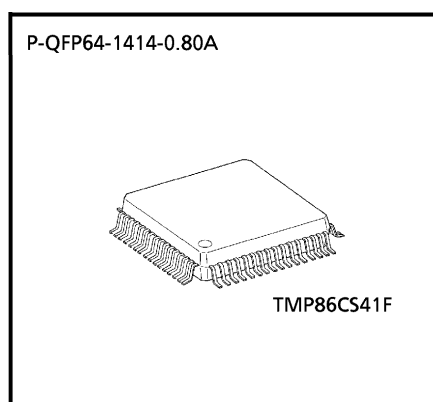
## TMP86CS41F

The TMP86CS41F is the high-speed, high-performance and low power consumption 8-bit microcomputer, including large-capacity ROM, RAM driver, multi-function timer/counter, serial interface (UART/SIO), a 10-bit AD converter and two clock generators on chip.

Product No.	ROM	RAM	Package	Flash
TMP86CS41F	60K × 8 bits	2K × 8 bits	P-QFP64-1414-0.80A	TMP86FS41F

## Features

- ◆ 8-bit single chip microcomputer TLCS-870/C series
- ◆ Instruction execution time: 0.25  $\mu$ s (at 16 MHz)  
122  $\mu$ s (at 32.768 kHz)
- ◆ 132 types and 731 basic instructions
- ◆ 21 interrupt sources (External: 6, Internal: 15)
- ◆ Input/Output ports (55 pins)  
High current output: 8 pins (typ. 20 mA)
- ◆ 16-bit timer counter: 2 ch
  - Timer, Event counter, Pulse width measurement, Programmable pulse Generator (PPG), External-triggered timer, Window modes
- ◆ 8-bit timer counter: 4 ch
  - Timer, Event counter, Pulse Width Modulation (PWM) output, Programmable Divider Output (PDO), PPG modes
- ◆ Time Base Timer (TBT)
- ◆ Divider output function



000707EBP1

- For a discussion of how the reliability of microcontrollers can be predicted, please refer to Section 1.3 of the chapter entitled Quality and Reliability Assurance / Handling Precautions.
- TOSHIBA is continually working to improve the quality and reliability of its products. Nevertheless, semiconductor devices in general can malfunction or fail due to their inherent electrical sensitivity and vulnerability to physical stress. It is the responsibility of the buyer, when utilizing TOSHIBA products, to comply with the standards of safety in making a safe design for the entire system, and to avoid situations in which a malfunction or failure of such TOSHIBA products could cause loss of human life, bodily injury or damage to property. In developing your designs, please ensure that TOSHIBA products are used within specified operating ranges as set forth in the most recent TOSHIBA products specifications. Also, please keep in mind the precautions and conditions set forth in the "Handling Guide for Semiconductor Devices," or "TOSHIBA Semiconductor Reliability Handbook" etc..
- The TOSHIBA products listed in this document are intended for usage in general electronics applications (computer, personal equipment, office equipment, measuring equipment, industrial robotics, domestic appliances, etc.). These TOSHIBA products are neither intended nor warranted for usage in equipment that requires extraordinarily high quality and/or reliability or a malfunction or failure of which may cause loss of human life or bodily injury ("Unintended Usage"). Unintended Usage include atomic energy control instruments, airplane or spaceship instruments, transportation instruments, traffic signal instruments, combustion control instruments, medical instruments, all types of safety devices, etc.. Unintended Usage of TOSHIBA products listed in this document shall be made at the customer's own risk.
- The products described in this document are subject to the foreign exchange and foreign trade laws.
- The information contained herein is presented only as a guide for the applications of our products. No responsibility is assumed by TOSHIBA CORPORATION for any infringements of intellectual property or other rights of the third parties which may result from its use. No license is granted by implication or otherwise under any intellectual property or other rights of TOSHIBA CORPORATION or others.
- The information contained herein is subject to change without notice.

- ◆ Watchdog Timer
  - Interrupt source/reset output (programmable)
- ◆ Serial interface
  - 8-bit SIO: 1ch
  - 8-bit UART: 1ch (IrDA output, selection of used pin)
- ◆ 10-bit successive approximation type AD converter
  - Analog input: 16 ch
- ◆ Key on wake up: 4 ch
- ◆ Dual clock operation
  - Single/Dual-clock mode
- ◆ Nine power saving operating modes
  - STOP mode: Oscillation stops. Battery/Capacitor back-up. Port output hold/High-impedance.
  - SLOW 1, 2 mode: Low power consumption operation using low-frequency clock (32.768 kHz)
  - IDLE 0 mode: CPU stops, and peripherals operate using high-frequency clock of Time-Base-Timer. Release by INTTBT interrupt.
  - IDLE 1 mode: CPU stops, and peripherals operate using high-frequency clock. Release by interrupts.
  - IDLE 2 mode: CPU stops, and peripherals operate using high and low frequency clock. Release by interrupts.
  - SLEEP 0 mode: CPU stops, and peripherals operate using low-frequency clock of Time-Base-Timer. Release by INTTBT interrupt.
  - SLEEP 1 mode: CPU stops, and peripherals operate using low-frequency clock. Release by interrupts.
  - SLEEP 2 mode: CPU stops, and peripherals operate using high and low frequency clock. Release by interrupts.
- ◆ Wide operating voltage: 4.5 to 5.5 V at 16 MHz/32.768 kHz, 2.7 to 5.5 V at 8 MHz/32.768 kHz

### Difference between TMP86CM41F, TMP86CS41F, TMP86FS41F

The functions and the electrical characteristics between above products have some difference. Please refer the notice below.

#### 1. Functions

##### a) Memory size

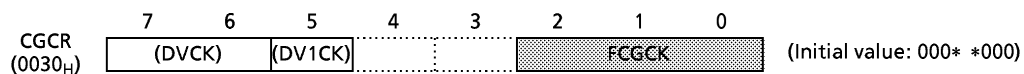
Product No.	ROM	RAM
TMP86CM41F	32 kbyte	1 kbyte
TMP86CS41F	60 kbyte	2 kbyte
TMP86FS41F	60 kbyte	2 kbyte

##### b) Clock gear

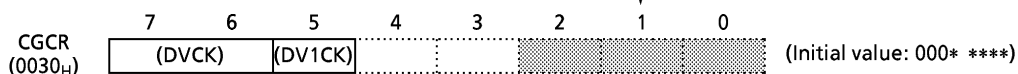
Product No.	Clock gear
TMP86CM41F	Support
TMP86CS41F	Not support
TMP86FS41F	Support

When developing a software for TMP86CS41F by using TMP86FS41F, CGCR <FCGCK > must be set to "000".

##### ● TMP86CM41F/TMP86FS41F



##### ● TMP86CS41F



##### c) Port5

Product No.	Input
TMP86CM41F	CMOS
TMP86CS41F	Schmitt
TMP86FS41F	Schmitt

## 2. Electrical Characteristics

The some electrical characteristics except below are different. Please refer the technical data book of TMP86CM41F, TMP86CS41F and TMP86FS41F.

### a) Absolute maximum ratings (VSS=0)

Parameter	Symbol	Pin	Rating			Unit
			TMP86CM41F	TMP86CS41F	TMP86FS41F	
Output current (Total)	$\Sigma$ IOUT1	Except P5	80	60	80	mA
	$\Sigma$ IOUT2	P5 (Large current)	120	60	120	
Operating Temperature	Topr		-40 to 85	-40 to 85	20 to 70	°C

### b) Recommended operating condition

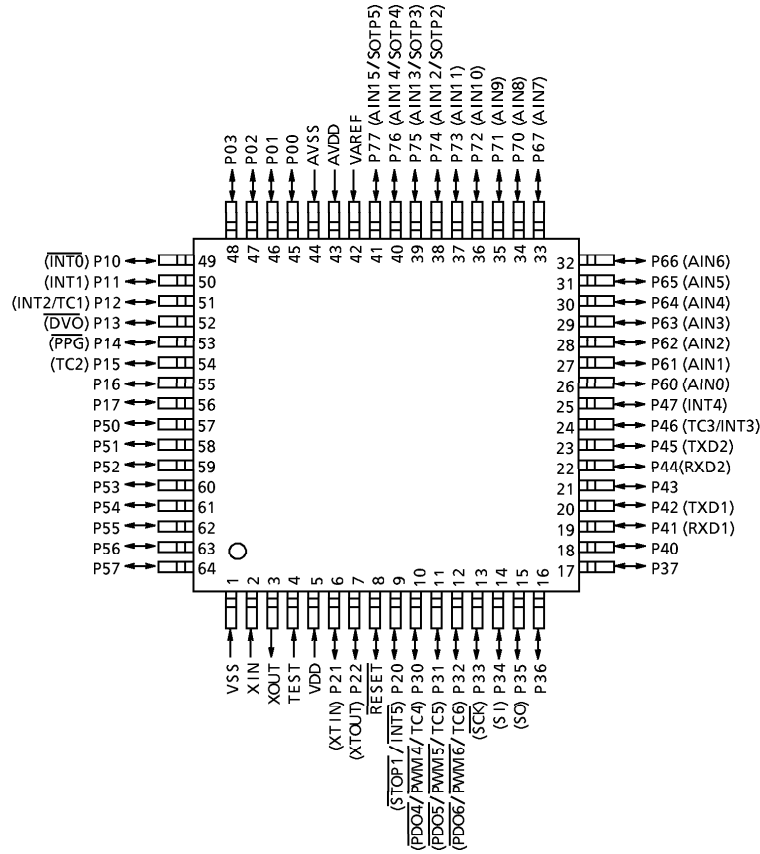
The supply voltage and the clock frequency have difference.

Recommended operating condition (Vss = 0 V, Topr = -40 to 85°C (Except TMP86FS41F))

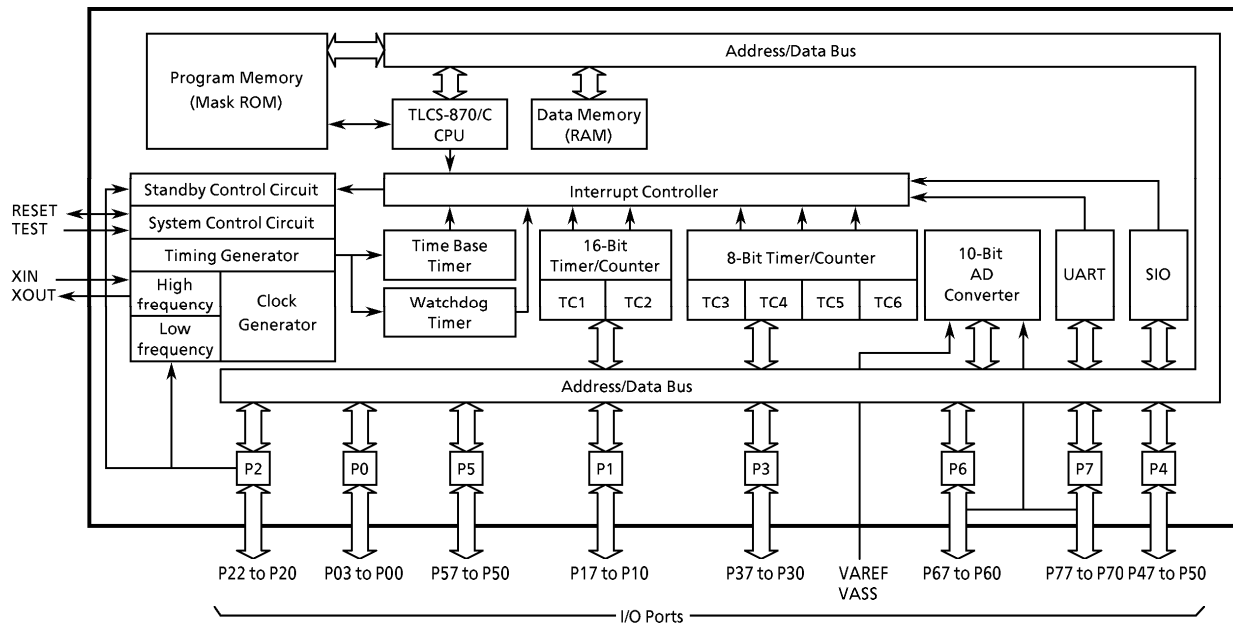
Parameter	Symbol	Pin	Condition	TMP86CM41F		TMP86CS41F		TMP86FS41F		Unit
				Min	Max	Min	Max	Min	Max	
Supply voltage	VDD		fc = 1 to 16 MHz	4.5	5.5	4.5		4.5	5.5	V
			fc = 1 to 8 MHz			2.7				
			fs = 32.768 kHz			2.0				
						2.0				
Clock frequency	fc	XIN, XOUT	VDD = 4.5 to 5.5 V	1.0	16.0	1.0	16.0	1.0	16.0	MHz
			VDD = 2.7 to 5.5 V	—	—	1.0	8.0	—	—	
	fs	XIN, XOUT	VDD = 4.5 to 5.5 V	30.0	34.0	30.0	34.0	30.0	34.0	kHz
			VDD = 2.7 to 5.5 V	—	—	—	—	—	—	

Pin Assignments (Top View)

P-QFP64-1414-0.80A



Block Diagram



## Pin Functions (1/2)

Pin Name	Input/Output	Function	
P00 P01 P02 P03	I/O	4-bit I/O port. Each bit of these ports can be individually configured as an input or an output under software control.	-
P10 (INT0) P11 (INT1) P12 (INT2/TC1) P13 (DVO) P14 (PPG) P15 (TC2) P16 P17	I/O (Input)  I/O (Output) I/O (Input) I/O	8-bit I/O port with latch. Each bit of these ports can be individually configured as an input or an output under software control. When used as divider output, PPG output, the latch of used bit must be set to "1", and used bits are configured outputs.	External Interrupt input External Interrupt input External interrupt input, Timer/Counter input Divider output PPG output Timer/Counter input -
P20 (INT5/STOP1) P21 (XTIN) P22 (XTOUT)	I/O (Input) I/O (Input/Output)	3-bit I/O port with latch. When used as input port, external interrupt input, and STOP mode release signal input, the latch must be set to "1".	External interrupt input, STOP mode release signal input Low Frequency Clock input Low Frequency Clock output
P30 (TC4/PWM4/PDO4) P31 (TC5/PWM5/PDO5) P32 (TC6/PWM6/PDO6) P33 (SCK) P34 (SI) P35 (SO) P36 P37	I/O (Input/Output/ Output) I/O (I/O) I/O (Input) I/O (Output) I/O	8-bit I/O port with latch. Each bit of these ports can be individually configured as an input or an output under software control. When used as timer/Counter input, SI, used bits are configured inputs. When used as PWM output, PDO output, and SO, used bits are configured outputs.	Timer/Counter input PWM output PDO output  SIO input/output -
P40 P41 (RXD1) P42 (TXD1) P43 P44 (RXD2) P45 (TXD2) P46 (TC3/INT3) P47 (INT4)	I/O I/O (Input) I/O (Output) I/O I/O (Input) I/O (Output) I/O (Input)	8-bit I/O port with latch. Each bit of these ports can be individually configured as an input or an output under software control. When used as UART mode, the latch must be set to "1". When used as Open-Drain output, P4ODE and P4CR must be set to "1".	- UART Data input UART Data output - UART Data input UART Data output Timer/Counter input External Interrupt input External Interrupt input
P50 P51 P52 P53 P54 P55 P56 P57	I/O	8-bit I/O port. Each bit of these ports can be individually configured as an input or output under software control. These ports are High current output ports, can be drive LED direct.	-

## Pin Functions (2/2)

Pin Name	Input/Output	Function	
P60 (AIN0) P61 (AIN1) P62 (AIN2) P63 (AIN3) P64 (AIN4) P65 (AIN5) P66 (AIN6) P67 (AIN7)	I/O (Input)	8-bit I/O port. Each bit of these ports can be individually configured as an input or output under software control.	AD Converter analog inputs
P70 (AIN8) P71 (AIN9) P72 (AIN10) P73 (AIN11) P74 (AIN12/STOP2) P75 (AIN13/STOP3) P76 (AIN14/STOP4) P77 (AIN15/STOP5)	I/O (Input)	8-bit I/O port. Each bit of these ports can be individually configured as an input or output under software control.	AD Converter analog inputs  AD Converter analog input STOP mode release signal input
TEST	Input	Test pin for out-going test. Be fixed to Low.	
RESET	I/O	Reset signal input or watchdog timer output/address-trap-reset output.	
XIN XOUT	Input Output	Resonator connecting pins for high-frequency clock. For inputting external clock, XIN is used and XOUT is opened.	
VSS VDD AVSS AVDD VAREF	Power Supply	GND Vcc AD circuit power supply AD circuit power supply Analog reference voltage inputs	

## Operational Description

### 1. CPU Core Functions

The CPU core consists of a CPU, a system clock controller, and an interrupt controller.

This section provides a description of the CPU core, the program memory, the data memory, and the reset circuit.

#### 1.1 Memory Address Map

The TMP86CS41 memory consist of 4 blocks: ROM, RAM, DBR (Data Buffer Register) and SFR (Special Function Register). They are all mapped in 64 Kbyte address space. Figure 1-1 shows the TMP86CS41 memory address map. The general-purpose registers are not assigned to the RAM address space.

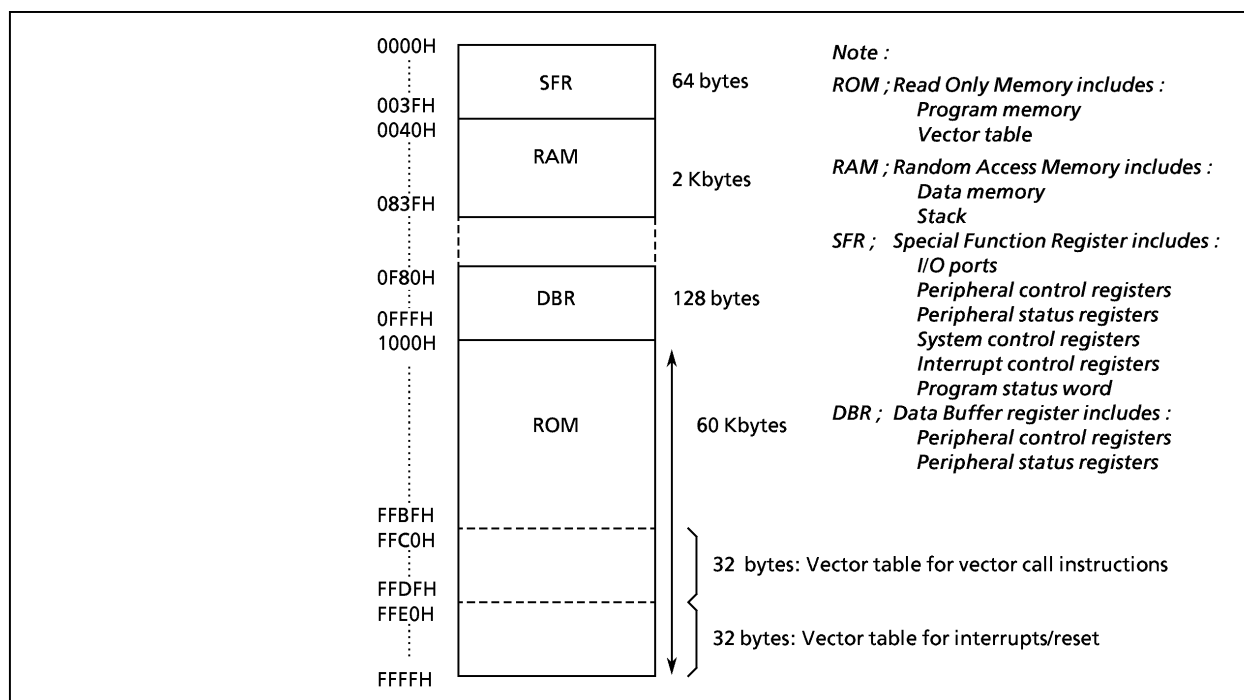


Figure 1-1. Memory Address Map

#### 1.2 Program Memory (ROM)

The TMP86CS41 has a 60 K×8 bits (Address 1000H to FFFFH) of program memory (mask programmed ROM). However, placing program memory on the internal RAM is deregulated if a certain procedure is executed (See 2.4.5 Address trap).



## Electrical Characteristics

Absolute Maximum Ratings ( $V_{SS} = 0\text{ V}$ )

Parameter	Symbol	Pins	Rating	Unit
Supply Voltage	$V_{DD}$		- 0.3 to 6.5	V
Input Voltage	$V_{IN}$		- 0.3 to $V_{DD} + 0.3$	
Output Voltage	$V_{OUT}$		- 0.3 to $V_{DD} + 0.3$	
Output Current (Per 1 pin)	$I_{OUTH}$	P0, P1, P3, P4, P5, P6, P7 Port	- 3.2	mA
	$I_{OUT1}$	P0, P1, P2, P3, P4, P6, P7 Port	3.2	
	$I_{OUT2}$	P5 Port	30	
Output Current (Total)	$\Sigma I_{OUT1}$	P0, P1, P2, P3, P4, P6, P7 Port	60	
	$\Sigma I_{OUT2}$	P5 Port	80	
Power Dissipation [ $T_{opr} = 85^\circ\text{C}$ ]	PD		250	mW
Soldering Temperature (time)	$T_{sld}$		260 (10 s)	$^\circ\text{C}$
Storage Temperature	$T_{stg}$		- 55 to 125	
Operating Temperature	$T_{opr}$		- 40 to 85	

Note: The absolute maximum ratings are rated values which must not be exceeded during operation, even for an instant. Any one of the ratings must not be exceeded. If any absolute maximum rating is exceeded, a device may break down or its performance may be degraded, causing it to catch fire or explode resulting in injury to the user. Thus, when designing products which include this device, ensure that no absolute maximum rating value will ever be exceeded.

Recommended Operating Condition ( $V_{SS} = 0\text{ V}$ ,  $T_{opr} = -40\text{ to }85^\circ\text{C}$ )

Parameter	Symbol	Pins	Condition	Min	Max	Unit	
Supply Voltage	$V_{DD}$		$f_c = 16\text{ MHz}$	NORMAL1, 2 mode	4.5	5.5	V
				IDLE0, 1, 2 mode			
			$f_c = 8\text{ MHz}$	NORMAL1, 2 mode	2.7		
				IDLE0, 1, 2 mode			
			$f_s = 32.768\text{ kHz}$	SLOW1, 2 mode	2.0		
SLEEP0, 1, 2 mode							
		STOP mode					
Input high Level	$V_{IH1}$	Except Hysteresis input	$V_{DD} \geq 4.5\text{ V}$	$V_{DD} \times 0.70$	$V_{DD}$		
	$V_{IH2}$	Hysteresis input		$V_{DD} \times 0.75$			
	$V_{IH3}$			$V_{DD} < 4.5\text{ V}$			$V_{DD} \times 0.9$
Input low Level	$V_{IL1}$	Except Hysteresis input	$V_{DD} \geq 4.5\text{ V}$	0	$V_{DD} \times 0.30$		
	$V_{IL2}$	Hysteresis input			$V_{DD} \times 0.25$		
	$V_{IL3}$				$V_{DD} < 4.5\text{ V}$		$V_{DD} \times 0.10$
Clock Frequency	$f_c$	XIN, XOUT	$V_{DD} = 4.5\text{ to }5.5\text{ V}$	1.0	16.0	MHz	
	$f_s$	XTIN, XTOUT		30.0	34.0	kHz	

Note: The recommended operating conditions for a device are operating conditions under which it can be guaranteed that the device will operate as specified. If the device is used under operating conditions other than the recommended operating conditions (supply voltage, operating temperature range, specified AC/DC values etc.), malfunction may occur. Thus, when designing products which include this device, ensure that the recommended operating conditions for the device are always adhered to.

DC Characteristics (V<sub>SS</sub> = 0 V, T<sub>opr</sub> = -40 to 85°C)

Parameter	Symbol	Pins	Condition	Min	Typ.	Max	Unit
Hysteresis Voltage	V <sub>HS</sub>			-	0.9	-	V
Input Current	I <sub>IN1</sub>	TEST	V <sub>DD</sub> = 5.5 V, V <sub>IN</sub> = 5.5 V/0 V	-	-	± 2	μA
	I <sub>IN2</sub>	Open Drain port Tri-state port					
	I <sub>IN3</sub>	RESET, STOP1					
Input Resistance	R <sub>IN1</sub>	RESET		100	220	450	kΩ
	R <sub>fx</sub>	XIN-XOUT		-	1.2	-	MΩ
	R <sub>fxT</sub>	XTIN-XTOUT		-	6	-	
Output Leakage Current	I <sub>LO1</sub>	Open Drain port	V <sub>DD</sub> = 5.5 V, V <sub>OUT</sub> = 5.5 V	-	-	2	μA
	I <sub>LO2</sub>	Tri-state port	V <sub>DD</sub> = 5.5 V, V <sub>OUT</sub> = 5.5 V/0 V	-	-	± 2	
Output High Voltage	V <sub>OH</sub>	Tri-state port	V <sub>DD</sub> = 4.5 V, I <sub>OH</sub> = -0.7 mA	4.1	-	-	V
Output Low Voltage	V <sub>OL1</sub>	Except XOUT and P5 Port	V <sub>DD</sub> = 4.5 V, I <sub>OL</sub> = 1.6 mA	-	-	0.4	
Output Low Current	I <sub>OL1</sub>	Except XOUT and P5 Port	V <sub>DD</sub> = 4.5 V, V <sub>OL</sub> = 0.4 V	-	1.6	-	
	I <sub>OL2</sub>	P5 (High current port)	V <sub>DD</sub> = 4.5 V, V <sub>OL</sub> = 1.0 V	-	20	-	
Supply Current in Normal 1, 2 mode	I <sub>DD</sub>		V <sub>DD</sub> = 5.5 V V <sub>IN</sub> = 5.3 V/0.2 V f <sub>c</sub> = 16 MHz f <sub>s</sub> = 32.768 kHz	-	7	8	mA
Supply Current in IDLE 0, 1, 2 mode			-	4	5		
Supply Current in SLOW mode			V <sub>DD</sub> = 5.5 V V <sub>IN</sub> = 5.3 V/0.2 V f <sub>s</sub> = 32.768 kHz	-	10	20	μA
Supply Current in SLEEP 0, 1 mode			-	6	12		
Supply Current in Stop mode			V <sub>DD</sub> = 5.5 V V <sub>IN</sub> = 5.3 V/0.2 V	-	0.5	10	

Note 1: Typical values show those at T<sub>opr</sub> = 25°C, V<sub>DD</sub> = 5 V

Note 2: Input current (I<sub>IN1</sub>, I<sub>IN2</sub>); The current through pull-up or pull-down resistor is not included.

Note 3: I<sub>DD</sub> does not include I<sub>REF</sub> current.

## AD Conversion Characteristics

(V<sub>SS</sub> = 0.0 V, Topr = -40 to 85°C)

Parameter	Symbol	Condition	Min	Typ.	Max	Unit
Analog Reference Voltage	V <sub>AREF</sub>		V <sub>DD</sub> - 1.0	-	V <sub>DD</sub>	V
Power Supply Voltage of Analog Control Circuit	A <sub>VDD</sub>		V <sub>DD</sub>			
	A <sub>VSS</sub>		V <sub>SS</sub>			
Analog Reference of Voltage Range	ΔV <sub>AREF</sub>	V <sub>AREF</sub> - A <sub>VSS</sub>	2.5	-	V <sub>DD</sub>	
Analog Input Voltage	V <sub>AIN</sub>		V <sub>SS</sub>	-	V <sub>AREF</sub>	
Power Supply Current of Analog Reference Voltage	I <sub>REF</sub>	V <sub>DD</sub> = A <sub>VDD</sub> = V <sub>AREF</sub> = 5.5 V V <sub>SS</sub> = A <sub>VSS</sub> = 0.0 V	-	0.6	1.0	mA
Non linearity Error		V <sub>DD</sub> = 4.5 to 5.5 V V <sub>SS</sub> = 0.0 V A <sub>VDD</sub> = V <sub>AREF</sub> = V <sub>DD</sub> A <sub>VSS</sub> = 0.0 V	-	-	± 2	LSB
Zero Point Error			-	-	± 2	
Full Scale Error			-	-	± 2	
Total Error			-	-	± 4	

Note 1: Total errors includes all errors, except quantization error.

Note 2: Conversion time is different in recommended value by power supply voltage.

About conversion time, please refer to "2.10.2 Register Framing".

Note 3: Please use input voltage to AIN input Pin in limit of V<sub>AREF</sub> - V<sub>SS</sub>.

When voltage of range outside is input, conversion value becomes unsettled and gives affect to other channel conversion value.

## AC Characteristics

(V<sub>SS</sub> = 0 V, V<sub>DD</sub> = 4.5 to 5.5 V, Topr = -40 to 85°C)

Parameter	Symbol	Condition	Min	Typ.	Max	Unit
Machine Cycle Time	t <sub>cy</sub>	NORMAL 1, 2 mode	0.25	-	4	μs
		IDLE 0, 1, 2 mode				
		SLOW 1, 2 mode	117.6	-	133.3	
		SLEEP 0, 1, 2 mode				
High Level Clock Pulse Width	t <sub>WCH</sub>	For external clock operation (XIN input) f <sub>c</sub> = 16 MHz	-	31.25	-	ns
Low Level Clock Pulse Width	t <sub>WCL</sub>					
High Level Clock Pulse Width	t <sub>WSH</sub>	For external clock operation (XTIN input) f <sub>c</sub> = 32.768 kHz	-	15.26	-	μs
Low Level Clock Pulse Width	t <sub>WSL</sub>					

**Recommended Oscillating Conditions-1**

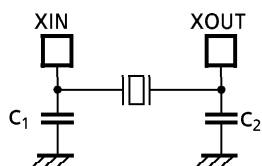
( $V_{SS} = 0\text{ V}$ ,  $V_{DD} = 4.5\text{ to }5.5\text{ V}$ ,  $T_{opr} = -40\text{ to }85^\circ\text{C}$ )

Parameter	Oscillator	Oscillation Frequency	Recommended Oscillator		Recommended Constant	
					C <sub>1</sub>	C <sub>2</sub>
High-frequency Oscillation	Ceramic Resonator	16 MHz	MURATA	CSA16.00MXZ040	10 pF	10 pF
		8 MHz	MURATA	CSA8.00MTZ	30 pF	30 pF
				CST8.00MTW	30 pF (built-in)	30 pF (built-in)
		4.19 MHz	MURATA	CSA4.19MG	30 pF	30 pF
				CST4.19MGW	30 pF (built-in)	30 pF (built-in)
Low-frequency Oscillation	Crystal Oscillator	32.768 kHz	SII	VT-200	6 pF	6 pF

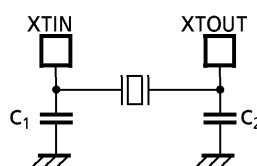
**Recommended Oscillating Conditions-2**

( $V_{SS} = 0\text{ V}$ ,  $V_{DD} = 2.7\text{ to }5.5\text{ V}$ ,  $T_{opr} = -40\text{ to }85^\circ\text{C}$ )

Parameter	Oscillator	Oscillation Frequency	Recommended Oscillator		Recommended Constant	
					C <sub>1</sub>	C <sub>2</sub>
High-frequency Oscillation	Ceramic Resonator	8 MHz	MURATA	CSA8.00MTZ	30 pF	30 pF
				CST8.00MTW	30 pF (built-in)	30 pF (built-in)
		4.19 MHz	MURATA	CSA4.19MG	30 pF	30 pF
				CST4.19MGW	30 pF (built-in)	30 pF (built-in)



(1) High-frequency Oscillation



(2) Low-frequency Oscillation

**Note 1 :** An electrical shield by metal shield plate on the surface of IC package is recommended in order to protect the device from the high electric field stress applied from CRT (Cathodic Ray Tube) for continuous reliable operation.

**Note 2:** The product numbers and specifications of the resonators by Murata Manufacturing Co., Ltd. are subject to change. For up-to-date information, please refer to the following URL;  
<http://www.murata.co.jp/search/index.html>