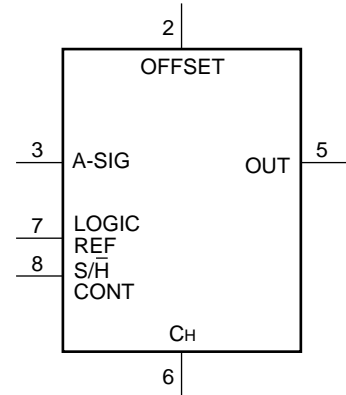
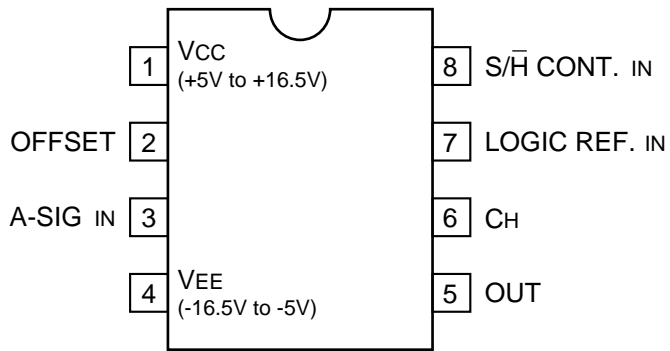


\*\*\*\*\*

### SAMPLE AND HOLD CIRCUIT

—TOP VIEW—



S/H CONT. ; SAMPLE/HOLD CONTROL  
CH ; EXTERNAL HOLD CAPACITOR