

Tyco / Electronics
 Raychem Circuit Protection
 308 Constitution Drive
 Menlo Park, Ca 94025-1164
 Phone: 800-227-4856
 FAX 800-227-4866

PolySwitch®
PTC Devices
 Overcurrent Protection Device

PRODUCT: TSM600-250-RA

DOCUMENT: SCD 24939
 PCN: 644560
 REV LETTER: B
 REV DATE: APRIL 16, 2002
 PAGE NO.: 1 OF 1

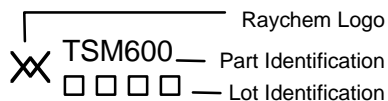
Specification Status: RELEASED

Max Electrical Rating at 20°C

Operating Voltage: 250V_{DC}
 Fault Voltage: 600V_{RMS}
 Interrupt Current: 3A_{RMS}

Lead Material: Tin plated brass
 Configuration: Two PPTC devices per TSM600 part
 Case Material: Nylon Resin (UL94 V-0)
 1000V dielectric rating

Marking:



Terminal Description:

T1 = Tip In T4 = Tip Out
 R2 = Ring In R3 = Ring Out

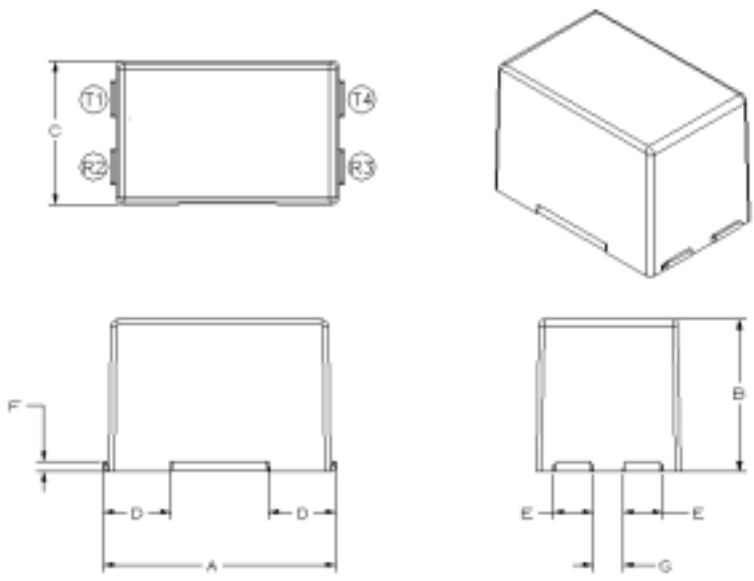


TABLE I. DIMENSIONS:

mm:	A		B		C		D		E		F		G	
	MIN	MAX	MIN	MAX	MIN	MAX	MIN	MAX	MIN	MAX	MIN	MAX	MIN	MAX
	17.0	17.6	11.2	11.7	10.4	11.2	4.8	5.2	2.5	2.8	0.6	1.0	2.0	3.1
in:	(0.671)	(0.691)	(0.440)	(0.460)	(0.410)	(0.440)	(0.187)	(0.203)	(0.099)	(0.111)	(0.022)	(0.038)	(0.080)	(0.122)

TABLE II. PERFORMANCE RATINGS @ 20°C (unless otherwise noted):

I HOLD (mA)		RESISTANCE (Ω)** @ 20° C			TIME TO TRIP @ 3 A (Seconds)		OPERATING TEMPERATURE (°C)		Tripped State Power Dissipation @ 250V (Watts) TYPICAL
20°C	60°C	R MIN	R TYP	R ₁ MAX*	TYP	MAX	MIN	MAX	
250	140	1.0	3.0	5.0	1	6	-40	85	2

* Maximum device resistance, measured 1-hour post reflow or post trip.
 ** Resistance per PPTC device.

Additional Ratings @ 20°C

Resistance Matched: 0.5 Ohm measured 24 hours after reflow installation Storage Temperature: -40° to 85° C
 Line Balance: 0.5 Ohm, 59 dB @ 4 kHz minimum*** Storage Humidity: Per IPC/JEDEC J-STD-020A Level 2a

***Tested in accordance with IEEE 455 with a device having a series longitudinal balance value of at least 60dB.

Agency Recognition: UL, CSA
 Reference Documents: PS300
 Precedence: This specification takes precedence over documents referenced herein.
 Effectivity: Reference documents shall be the issue in effect on the date of invitation for bid.