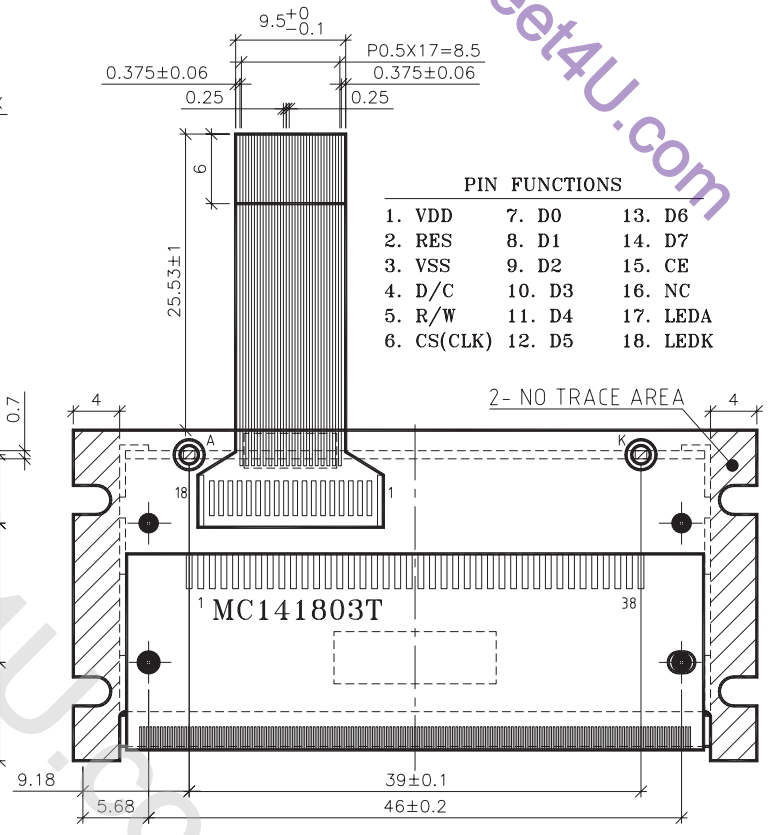
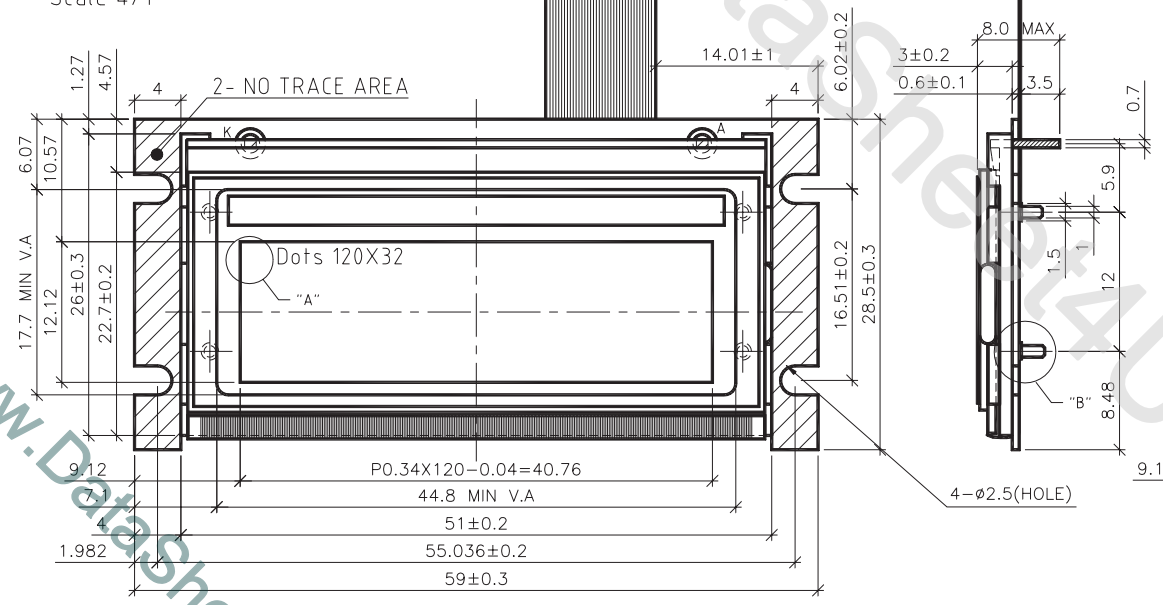


Connector: molex 52745-1890
FPC contact side

PIN FUNCTIONS

1. VDD	7. D0	13. D6
2. RES	8. D1	14. D7
3. VSS	9. D2	15. CE
4. D/C	10. D3	16. NC
5. R/W	11. D4	17. LEDA
6. CS(CLK)	12. D5	18. LEDK



Note: tolerance is ±0.3 unless otherwise noted.