

90° Crossover Hybrid Coupler

800-900, 890-960, or 1700-1900 MHz

3032 Series

V2.00

Features

- Type N jack
- Low Loss
- High Isolation

Description

M/A-COM's 3032 Series of 90° Crossover Hybrid Couplers provide low loss, high isolation answers to your coupling needs.

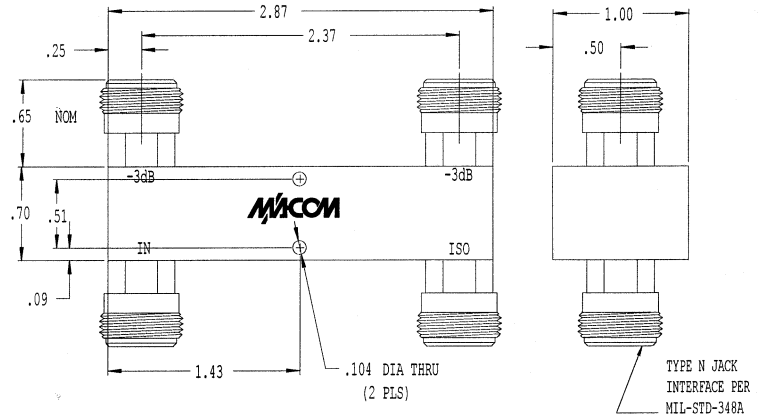


Figure 1

Ordering Information and Typical Performance Specifications

| Part Number | Frequency (MHz) | Figure | Coupling (dB) Nom. | VSWR (Max) | Insertion Loss (dB) Max | Isolation (dB) min | Amplitude Balance |
|--------------|-----------------|--------|--------------------|------------|-------------------------|--------------------|-------------------|
| 3032-6017-00 | 800-900 | 1 | 3 | 1.2:1 | .2 | 25 | .25 |
| 3032-6018-00 | 890-960 | 1 | 3 | 1.2:1 | .2 | 25 | .25 |
| 3032-6019-00 | 1700-1900 | 2 | 3 | 1.2:1 | .2 | 25 | .5 |

Input Power 125 Watts maximum.

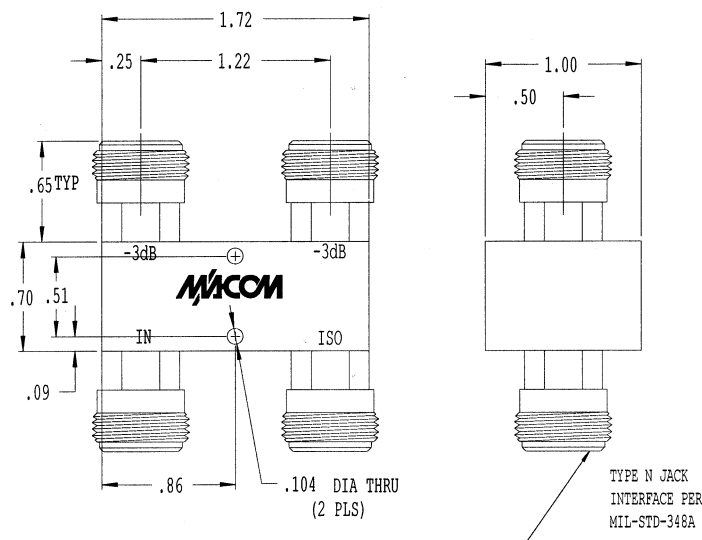


Figure 2