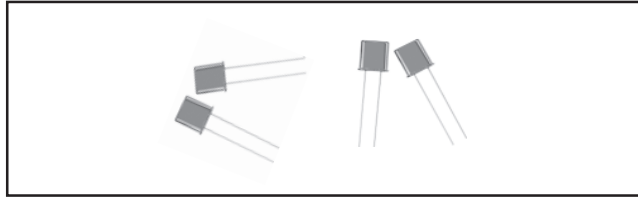


Quartz Crystals

3.6864MHz to 225.0MHz


FEATURES

- Miniature package.
- Wide frequency range.

STANDARD ELECTRICAL SPECIFICATIONS

FREQUENCY RANGE (MHz)	MODE OF VIBRATION	ESR MAX. (Ohms)
3.6864 - 3.999	Fundamental	250
4.0 - 4.999	Fundamental	150
5.0 - 5.999	Fundamental	120
6.0 - 6.999	Fundamental	100
7.0 - 7.999	Fundamental	90
8.0 - 9.999	Fundamental	80
10.0 - 10.999	Fundamental	60
11.0 - 45.0	Fundamental	40
45.1 - 134.999	3rd Overtone	40
135.0 - 225.0	5th Overtone	100

STANDARD SPECIFICATIONS
Operating Temperature Range: - 10°C to + 60°C.

Frequency Range: 3.6864MHz to 225.0MHz.

Frequency Tolerance: ± 50PPM 3.6MHz to 9.9MHz,
± 30PPM 10.0MHz to 225.0MHz.

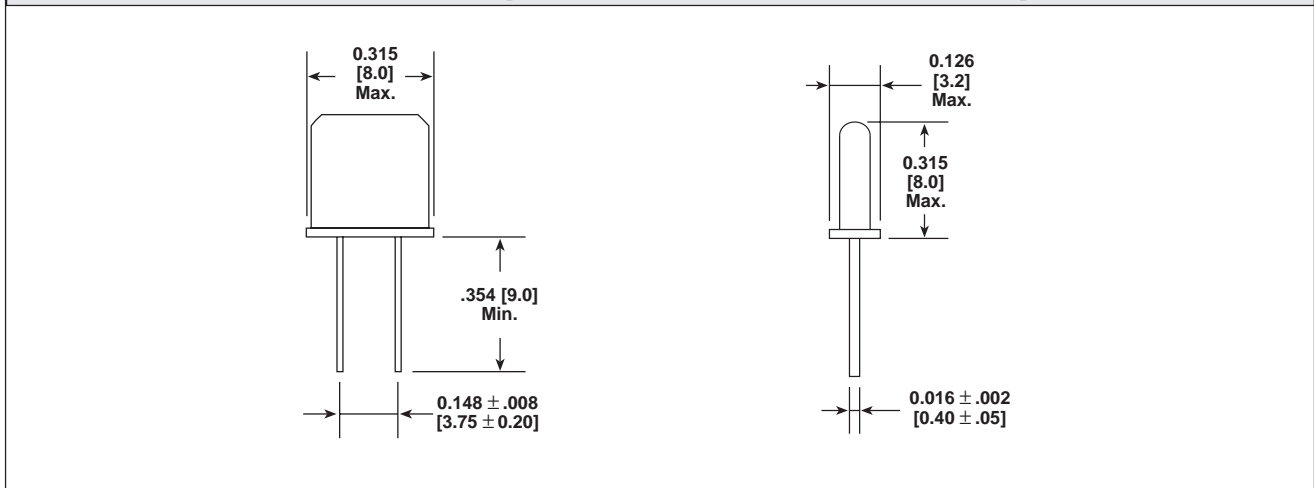
Temperature Stability: ± 100PPM 3.6MHz to 9.9MHz,
± 50PPM 10.0MHz to 225.0MHz.

Storage Temperature: - 40°C to 85°C.

Load: 10 to 32pF or series resonant.

Drive Level: 0.1mW maximum.

Shunt Capacitance: 5pF maximum.

DIMENSIONAL CONFIGURATIONS [Numbers in brackets indicate millimeters]

HOW TO ORDER
