

M4053BP M4053BFP

TRIPLE 2-CHANNEL ANALOG MULTIPLEXER/DEMULTIPLEXER

DESCRIPTION

The M4053BP is a semiconductor integrated circuit consisting of three multiplexer/demultiplexers which use 1-bit digital inputs to perform selection of two analog switches.

FEATURES

- Low ON resistance: 50Ω typ. ($V_{DD}=15V$)
- High OFF resistance: 10⁹Ω or greater (typ)
- Small differences in ON resistance between each switch in the package: 10Ω typ. ($V_{DD}=7.5V$, $V_{SS}=-7.5V$)
- Linearized transfer characteristics: 0.07% distortion (typ)
- Signals with amplitude greater than the logic level amplitude of the control inputs may be switched.
- Provided with an inhibit input

APPLICATION

General purpose, for use in industrial and consumer digital equipment.

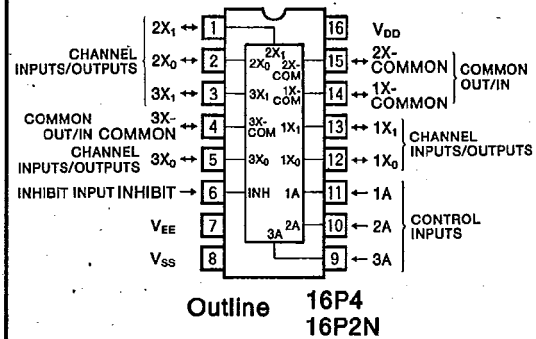
FUNCTIONAL DESCRIPTION

When a 1-bit binary input signal is applied to the control inputs (A), the channel numbers corresponding to the binary value input (X_0 , X_1) are set to low impedance with respect to the corresponding (X-COMMON). All other channels remain at high impedance.

In this operation, if the (INHIBIT) input is held high, all channels (X_0 , X_1) will be put in the high-impedance state, regardless of the state of the other inputs.

It is possible to switch an analog signal of amplitude $V_{DD}-V_{EE}$ if this is greater than the logic level span $V_{DD}-V_{SS}$ for inputs (A).

PIN COFIGURATION (TOP VIEW)

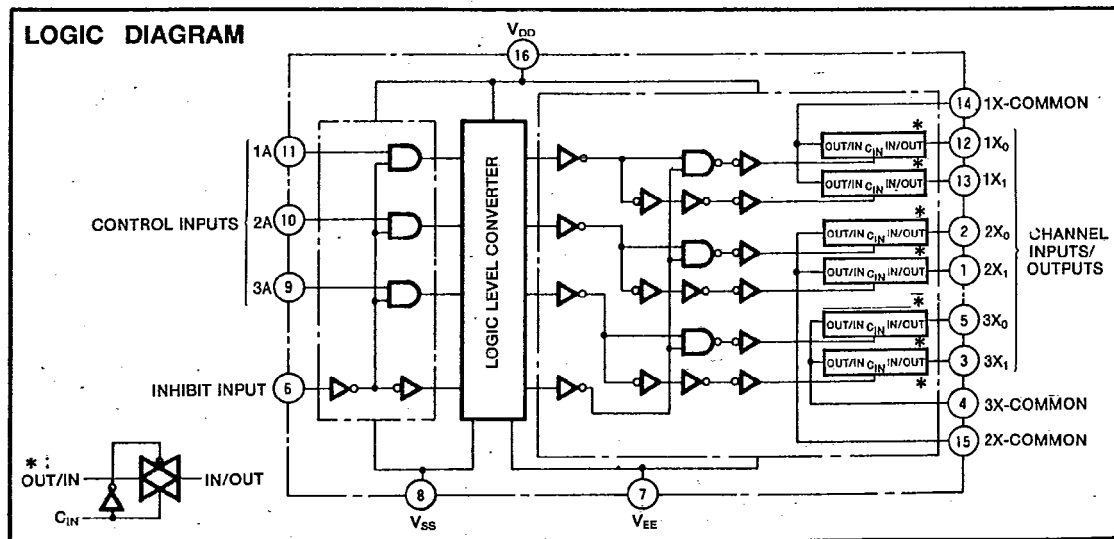


FUNCTION TABLE (Note 1)

Inhibit Input	Control Inputs	Channel INPUT/OUTPUT to COMMON switch selection	
INHIBIT	A	X_0	X_1
L	L	ON	OFF
L	H	OFF	ON
H	X	FF	OFF

Note 1 : X : Irrelevant
ON : Low Impedance between X_n and X-COMMON ($n=0,1$)
OFF : High Impedance between X_n and X-COMMON ($n=0,1$)

LOGIC DIAGRAM



**M4053BP
M4053BFP**

TRIPLE 2-CHANNEL ANALOG MULTIPLEXER/DEMULTIPLEXER

6249826 MITSUBISHI ELEK (LINEAR)

80C 09114

D 7-51-11

ABSOLUTE MAXIMUM RATINGS ($T_A = -40 \sim +85^\circ\text{C}$, unless otherwise noted)

Symbol	Parameter	Conditions	Ratings	Unit
$V_{DD}-V_{SS}$	Supply voltage		-0.5~20	V
$V_{DD}-V_{EE}$			-0.5~20	V
V_i	Input voltage	Control and inhibit inputs	$V_{SS}-0.5 \sim V_{DD}+0.5$	V
		Channel and common inputs	$V_{EE}-0.5 \sim V_{DD}+0.5$	V
V_{IO}	Input-to-output voltage		± 0.5	V
I_i	Input current	Control and inhibit inputs	± 10	mA
I_o	Output current	Switch-off	± 10	mA
V_o	Output voltage	Channel and common outputs	$V_{EE}-0.5 \sim V_{DD}+0.5$	V
T_{opr}	Operating temperature range		-40~+85	$^\circ\text{C}$
T_{stg}	Storage temperature range		-65~+150	$^\circ\text{C}$

RECOMMENDED OPERATING CONDITING CONDITIONS ($T_A = -40 \sim +85^\circ\text{C}$, unless otherwise noted)

Symbol	Parameter	Limits			Unit
		Min	Typ	Max	
$V_{DD}-V_{SS}$	Supply voltage	3		18	V
$V_{DD}-V_{EE}$		3		18	V
V_i	Input voltage	V_{SS}		V_{DD}	V
	Control and inhibit inputs			V_{DD}	V
V_o	Output voltage	V_{EE}		V_{DD}	V

ELECTRICAL CHARACTERISTICS ($V_{SS}=0\text{V}$)

Symbol	Parameter	Test conditions	Limits								Unit		
					-40 $^\circ\text{C}$		25 $^\circ\text{C}$			85 $^\circ\text{C}$			
			$V_{EE}(\text{V})$	$V_{DD}(\text{V})$	Min	Max	Min	Typ	Max	Min		Max	
V_{IH}	"H" input voltage (A, B, C, INHIBIT)	Input-to-output current=10 μA	0	5	3.5		3.5			3.5		V	
			0	10	7.0		7.0			7.0			
			0	15	11.0		11.0			11.0			
V_{IL}	"L" input current (A, B, C, INHIBIT)	Input-to-output current=10 μA	0	5		1.5			1.5		1.5	V	
			0	10		3.0			3.0		3.0		
			0	15		4.0			4.0		4.0		
R_{ON}	ON resistance	Test circuit 1	$V_i=5\text{V}$	0	5		500			600		800	Ω
			$V_i=2.5\text{V}$	0	5		850			950		1300	
			$V_i=0.25\text{V}$	0	5		500			600		800	
			$V_i=10\text{V}$	0	10		210			250		300	
			$V_i=5\text{V}$	0	10		210			250		300	
			$V_i=0.25\text{V}$	0	10		210			250		300	
			$V_i=15\text{V}$	0	15		140			160		200	
			$V_i=7.5\text{V}$	0	15		140			160		200	
			$V_i=0.25\text{V}$	0	15		140			160		200	
			$V_i=5\text{V}$	-5	5		210			250		300	
			$V_i=\pm 0.25\text{V}$	-5	5		210			250		300	
			$V_i=-5\text{V}$	-5	5		210			250		300	
			$V_i=7.5\text{V}$	-7.5	7.5		140			160		200	
$V_i=\pm 0.25\text{V}$	-7.5	7.5		140			160		200				
$V_i=-7.5\text{V}$	-7.5	7.5		140			160		200				
ΔR_{ON}	ON resistance variations between switches of the same package		-2.5	2.5				30				Ω	
			-5	5				15					
			-7.5	7.5				10					
I_{OFF}	Input-to-output off-state leakage current ($X_0 \sim X_1, X\text{-COMMON}$)		$V_{IO}=10\text{V}, V_{OI}=0\text{V}$	0	10					125		nA	
			$V_{IO}=0\text{V}, V_{OI}=10\text{V}$	0	10					-125			
			$V_{IO}=18\text{V}, V_{OI}=0\text{V}$	0	18		250			250			1000
			$V_{IO}=0\text{V}, V_{OI}=18\text{V}$	0	18		-250			-250			-1000
I_{DD}	Quiescent supply current	$V_i=V_{DD}, V_{SS}$	0	5		20					150	μA	
			0	10		40			40		300		
			0	15		80			80		600		
I_{IH}	"H" input current (A, INH)	$V_{IH}=18\text{V}$	0	18		0.3			0.3		1.0	μA	
I_{IL}	"L" input current (A, INH)	$V_{IL}=0\text{V}$	0	18		-0.3			-0.3		-1.0	μA	

TRIPLE 2-CHANNEL ANALOG MULTIPLEXER/DEMULTIPLEXER

SWITCHING CHARACTERISTICS (T_a=25°C, V_{SS}=0V)

Symbol	Parameter	Test conditions	V _{EE} (V)		Limits			Unit
			V _{DD} (V)	Min	Typ	Max		
f _{max(I/O)}	Maximum transfer frequency	R _L =10kΩ C _L =15pF Test circuit 2	-5	5		25		MHz
t _{PLH}	"L-H" and "H-L" output propagation time (A-X ₀ , X ₁ , X-COMMON)	R _L =10kΩ C _L =50pF Test circuit 3	0	5			1000	ns
			0	10			500	
			0	15			400	
			-5	5			700	
			-7.5	7.5			500	
t _{PHL}	"L-H" and "H-L" output propagation time (A-X ₀ , X ₁ , X-COMMON)	R _L =10kΩ C _L =50pF Test circuit 3	0	5			1000	ns
			0	10			500	
			0	15			400	
			-5	5			700	
			-7.5	7.5			500	
t _{PLH}	"L-H" and "H-L" output propagation time (INHIBIT-X ₀ , X ₁ , X-COMMON)	R _L =10kΩ C _L =50pF Test circuit 4	0	5			1400	ns
			0	10			700	
			0	15			500	
			-5	5			900	
			-7.5	7.5			500	
t _{PHL}	"L-H" and "H-L" output propagation time (INHIBIT-X ₀ , X ₁ , X-COMMON)	R _L =10kΩ C _L =50pF Test circuit 4	0	5			1400	ns
			0	10			700	
			0	15			500	
			-5	5			900	
			-7.5	7.5			500	
t _{PLH}	"L-H" and "H-L" output propagation time (X ₀ , X ₁ /X-COMMON-X-COMMON/X ₀ , X ₁)	R _L =10kΩ C _L =50pF Test circuit 5	0	5			45	ns
			0	10			30	
			0	15			20	
t _{PHL}	"L-H" and "H-L" output propagation time (X ₀ , X ₁ /X-COMMON-X-COMMON/X ₀ , X ₁)	R _L =10kΩ C _L =50pF Test circuit 5	0	5			45	ns
			0	10			30	
			0	15			20	
—	Sine-wave distortion	R _L =10kΩ f _i =1kHz Test circuit 2	-5	5		0.1		%
—	Feedthrough (switch off)	R _L =1kΩ Test circuit 6	-5	5		500		kHz
—	Crosstalk (A, INHIBIT-X ₀ , X ₁ , X-COMMON)	R _i =1kΩ R _L =10kΩ C _L =15pF Test circuit 7	0	5		200		mV
C _i	Input capacitance	Control and inhibit inputs					7.5	pF
		Channel and common inputs				10		

TEST CIRCUITS (V_{SS}=0V, capacitance C_L includes stray wiring capacitance and probe input capacitance)

1 ON resistance (R_{ON})

$R_{ON} = 10 \times \frac{(V_i - V_0)}{V_0} \text{ (k}\Omega\text{)}$

Refer to the function table for conditions of control Input A.

2 Maximum transfer frequency (f_{max(I/O)})
Sine-wave distortion

f_{max(I/O)} is taken as that frequency f₁ at which, using a sine-wave input of 2.5V_{p-p}, 20 log₁₀(V₀/V_i) = -3dB. Refer to the function table for conditions of control Input A.

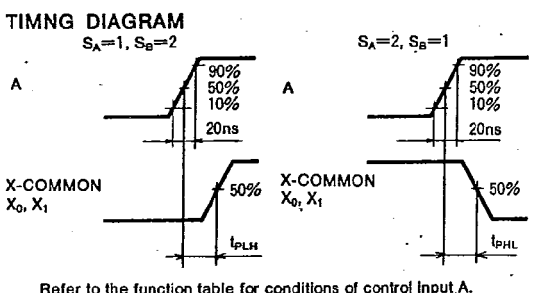
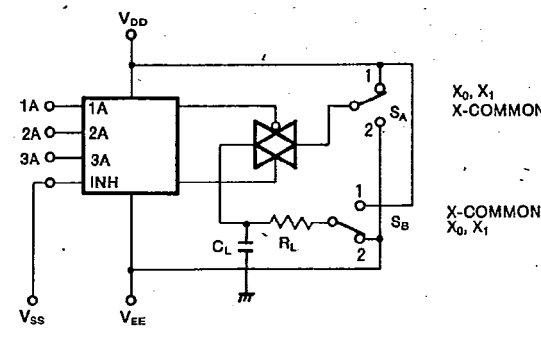
M4053BP
M4053BFP

TRIPLE 2-CHANNEL ANALOG MULTIPLEXER/DEMULTIPLEXER

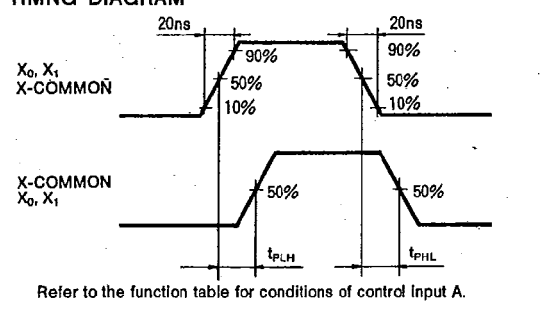
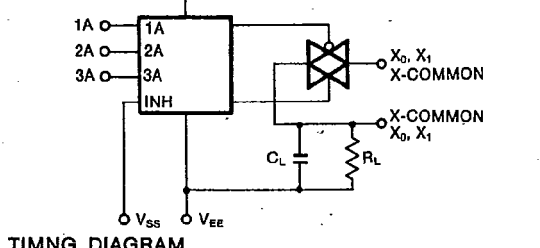
6249826 MITSUBISHI ELEK (LINEAR)

80C 09116 D T-51-11

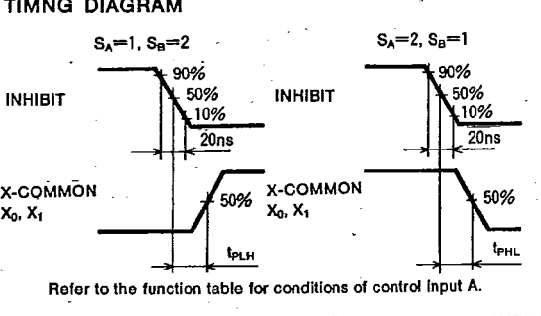
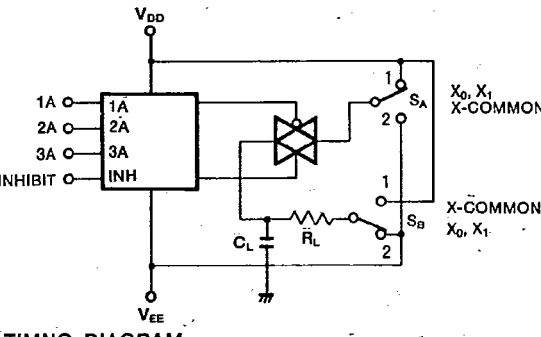
3 "L-H" and "H-L" output propagation time
(A-X₀, X₁, X-COMMON)



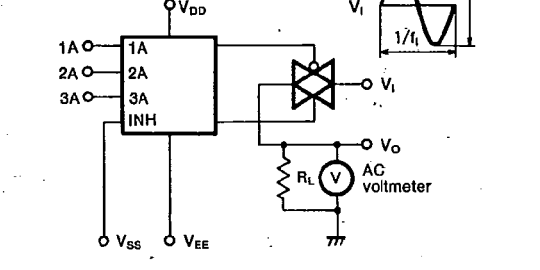
5 "L-H" and "H-L" output propagation time
(X₀, X₁/X-COMMON-X-COMMON/X₀, X₁)



4 "L-H" and "H-L" output propagation time
(INHIBIT-X₀, X₁, X-COMMON)

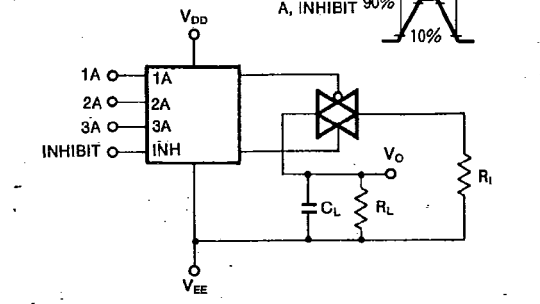


6 Feedthrough



The feedthrough is taken as that frequency f , at which, using a sine-wave input of $2.5V_{P-P}$, $20 \log_{10}(V_o/V_i) = -50dB$. Refer to the function table for conditions of control Input A.

7 Crosstalk



Refer to the function table for conditions of control Input A.