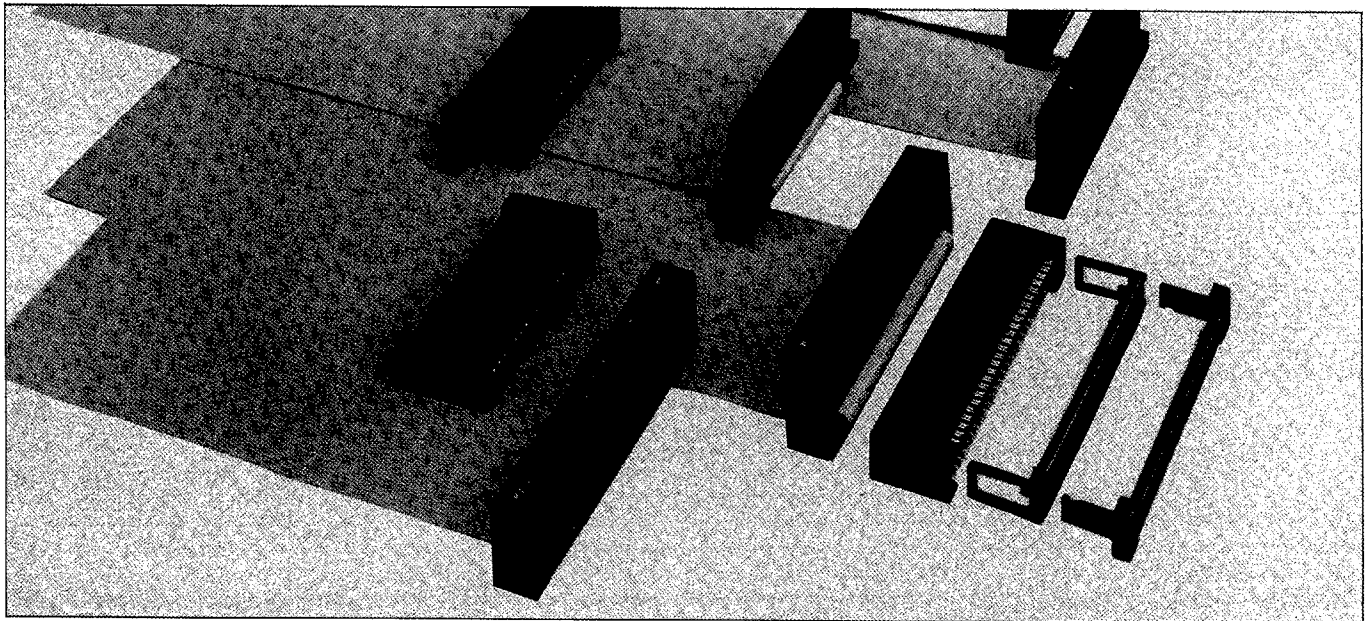


I.D.C. CONNECTORS

6300 series

FEATURES

- Card edge connector for 1.6mm thick board



SPECIFICATIONS

- Current Rating : 1A
- Contact Resistance : 16mΩ max.
- Dielectric Withstanding Voltage : 800V AC(1minute)
- Insulation Resistance : 1000MΩ min. (500V DC)
- Insertion Force : 500g max./pair
- Withdrawal Force : 28g min./pair

MATERIAL

- Insulator : Glass-filled P.B.T. (UL94V-O)
- Contact : Copper Alloy
- Contact Finish : Gold over Nickel on contact area
Tin on IDC terminals

PART NUMBER

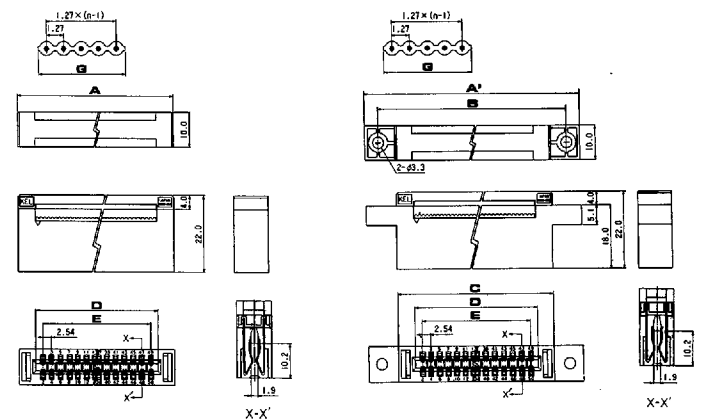
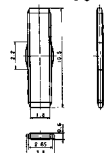
6300X-XXX-603

No. of contacts :
010, 014, 016, 020, 024, 026, 030,
034, 040, 050, 060, 064, 072

- A : No flange & no strain relief
- B : No flange & with strain relief
- C : No strain relief & with flange
- D : With flange & strain relief

Series

KEY-63



DIMENSIONS

Part No.	A	A'	B	C	D	E	G
6300X-010-603	24.40	41.20	33.20	24.40	15.34	10.16	12.70
6300X-014-603	29.48	46.28	38.28	29.48	20.42	15.24	17.78
6300X-016-603	32.02	48.82	40.82	32.02	22.96	17.78	20.32
6300X-020-603	37.10	53.90	45.90	37.10	28.04	22.86	25.40
6300X-024-603	42.18	58.98	50.98	42.18	33.12	27.94	30.48
6300X-026-603	44.72	61.52	53.52	44.72	35.66	30.48	33.02
6300X-030-603	49.80	66.60	58.60	49.80	40.74	35.56	38.10
6300X-034-603	54.88	71.68	63.68	54.88	45.82	40.64	43.18
6300X-040-603	62.50	79.30	71.30	62.50	53.44	48.26	50.80
6300X-050-603	75.20	92.00	84.00	75.20	66.14	60.96	63.50
6300X-060-603	87.90	104.70	96.70	87.90	78.84	73.66	76.20
6300X-064-603	92.98	109.78	101.78	92.98	83.92	78.74	81.28
6300X-072-603	103.14	119.94	111.94	103.14	94.08	88.90	91.44