

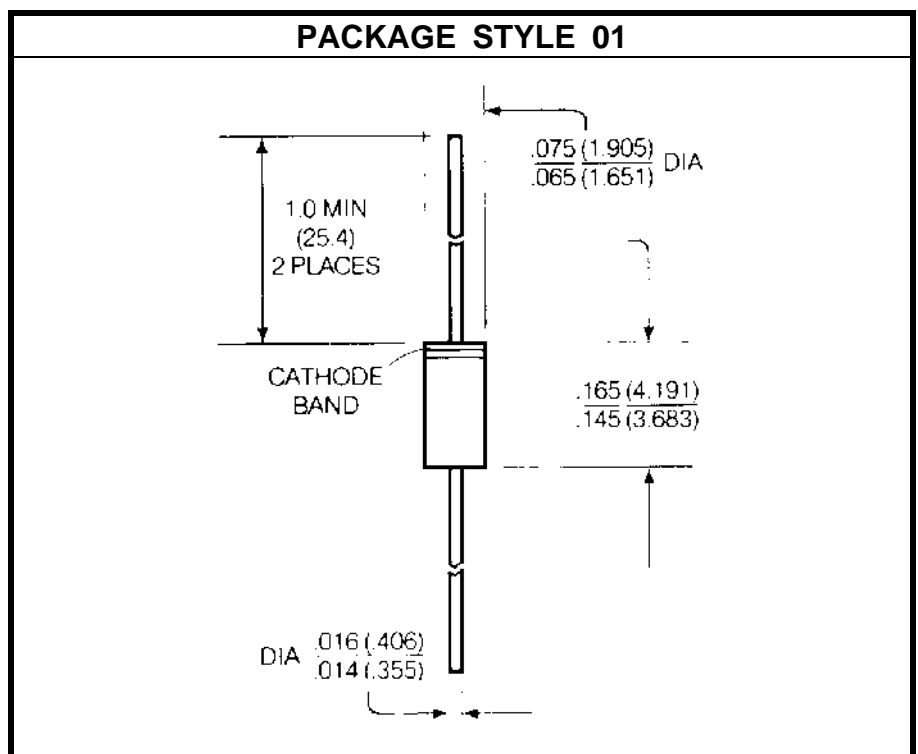
# SCHOTTKY BARRIER DIODE

## DESCRIPTION:

The **ASI 5082-2787** is a Silicon Small Signal Schottky Diode Designed for UHF/VHF Mixers, and Video Detector Applications. Color Band Indicates Cathode. RF Parameters are Sample Tested.

## MAXIMUM RATINGS

<b>I</b>	10 mA
<b>V</b>	4.0 V
<b>P<sub>DISS</sub></b>	100 mW @ T <sub>A</sub> = 25 °C
<b>T<sub>J</sub></b>	-60 °C to +150 °C
<b>T<sub>STG</sub></b>	-60 °C to +150 °C
<b>T<sub>SOLD</sub></b>	t = 5.0 Sec. +260 °C



## CHARACTERISTICS T<sub>C</sub> = 25 °C

SYMBOL	TEST CONDITIONS	MINIMUM	TYPICAL	MAXIMUM	UNITS
<b>V<sub>R</sub></b>	I <sub>R</sub> = 10 μA	4.0			<b>V</b>
<b>C<sub>J0</sub></b>	V <sub>R</sub> = 0 V f = 1.0 MHz		0.12		<b>pF</b>
<b>T<sub>SS</sub></b>	f = 10 GHz			-52	<b>dBm</b>
<b>R<sub>V</sub></b>	P = -40 dBm R <sub>L</sub> = 100 KΩ f = 10 GHz	1.2		1.8	<b>KW</b>
<b>g</b>	P = -40 dBm R <sub>L</sub> = 100 KΩ f = 10 GHz	3.5			<b>mV/mW</b>