

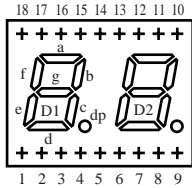
Numeric Display

Two Color Lighting

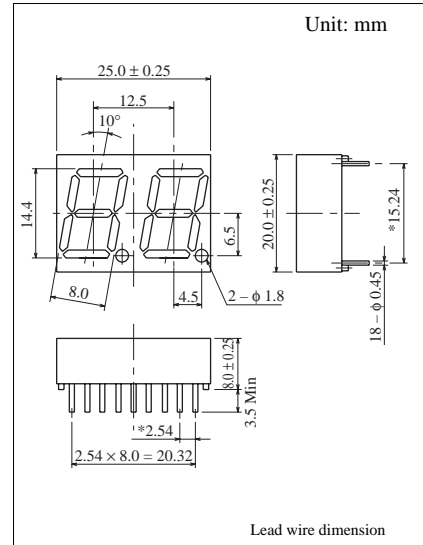
2 Digit 14.4 mm (.6") Series (Static Diagram)

Conventional Part No. LN526RGA Global Part No. LNM126AP01 Lighting Color Red, Green

Terminal Connection



Pin No.	Assignment
1	Cathode e1 (Red, Green)
2	Cathode d1 (Red, Green)
3	Cathode c1 (Red, Green)
4	Cathode dp1 (Red, Green)
5	Cathode e2 (Red, Green)
6	Cathode g2 (Red, Green)
7	Cathode d2 (Red, Green)
8	Cathode c2 (Red, Green)
9	Cathode dp2 (Red, Green)
10	Cathode b2 (Red, Green)
11	Cathode a2 (Red, Green)
12	Cathode f2 (Red, Green)
13	Common Anode (Green)
14	Common Anode (Red)
15	Cathode b1 (Red, Green)
16	Cathode a1 (Red, Green)
17	Cathode g1 (Red, Green)
18	Cathode f1 (Red, Green)



■ Absolute Maximum Ratings ($T_a = 25^\circ\text{C}$)

Lighting Color	P_D (mW)	I_F (mA)	I_{FP} (mA)*	V_R (V)	T_{opr} ($^\circ\text{C}$)	T_{stg} ($^\circ\text{C}$)
Red	60	20	100	5	-25 ~ +80	-30 ~ +85
Green	60	20	100	5	-25 ~ +80	-30 ~ +85

I_{FP} の条件は duty 10% Pulse width 1 msec. The condition of I_{FP} is duty 10%, Pulse width 1 msec

■ Electro-Optical Characteristics ($T_a = 25^\circ\text{C}$)

Conventional Part No.	Lighting Color	Common	I_O / seg		I_F	V_F		λ_p	$\Delta\lambda$	I_F	I_R		
			Typ	Min		Typ	Max				Max	V_R	
LN526RGA	Red	Anode	450	150	150	5	2.2	2.8	700	100	20	10	5
	Green		1500	500	500	10	2.2	2.8	565	30	20	10	5
Unit	—	—	μcd	μcd	μcd	mA	V	V	nm	nm	mA	μA	V

