

# IA4420 Universal ISM Band FSK Transceiver

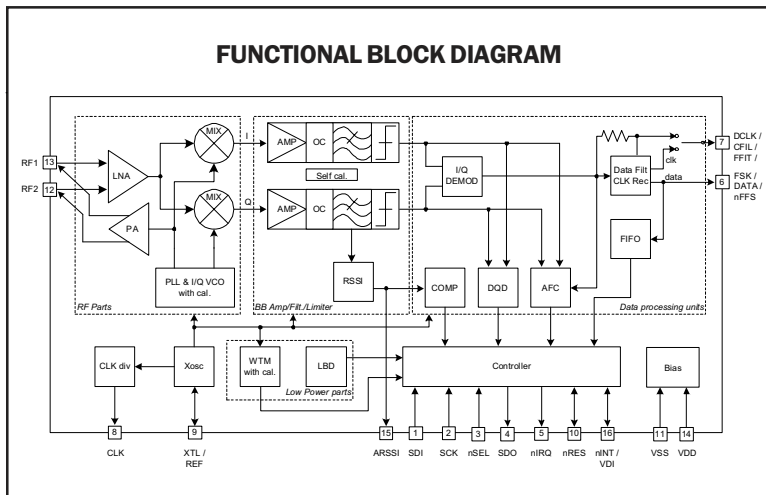
## DESCRIPTION

Integration's IA4420 is a single chip, low power, multi-channel FSK transceiver designed for use in applications requiring FCC or ETSI conformance for unlicensed use in the 315, 433, 868 and 915 MHz bands. The IA4420 transceiver is a part of Integration's EZRadio™ product line, which produces a flexible, low cost, and highly integrated solution that does not require production alignments. The chip is a complete analog RF and baseband transceiver including a multi-band PLL synthesizer with PA, LNA, I/Q down converter mixers, baseband filters and amplifiers, and an I/Q demodulator. All required RF functions are integrated. Only an external crystal and bypass filtering are needed for operation.

The IA4420 features a completely integrated PLL for easy RF design, and its rapid settling time allows for fast frequency-hopping, bypassing multipath fading and interference to achieve robust wireless links. The PLL's high resolution allows the usage of multiple channels in any of the bands. The receiver baseband bandwidth (BW) is programmable to accommodate various deviation, data rate and crystal tolerance requirements. The transceiver employs the Zero-IF approach with I/Q demodulation. Consequently, no external components (except crystal and decoupling) are needed in most applications.

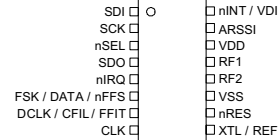
The IA4420 dramatically reduces the load on the microcontroller with the integrated digital data processing features: data filtering, clock recovery, data pattern recognition, integrated FIFO and TX data register. The automatic frequency control (AFC) feature allows the use of a low accuracy (low cost) crystal. To minimize the system cost, the IA4420 can provide a clock signal for the microcontroller, avoiding the need for two crystals.

For low power applications, the IA4420 supports low duty cycle operation based on the internal wake-up timer.



## IA4420

### PIN ASSIGNMENT revC and later



See back page for ordering information.

## FEATURES

- Fully integrated (low BOM, easy design-in)
- No alignment required in production
- Fast-settling, programmable, high-resolution PLL synthesizer
- Fast frequency-hopping capability
- High bit rate (up to 115.2 kbps in digital mode and 256 kbps in analog mode)
- Direct differential antenna input/output
- Integrated power amplifier
- Programmable TX frequency deviation (15 to 240 KHz)
- Programmable RX baseband bandwidth (67 to 400 kHz)
- Analog and digital RSSI outputs
- Automatic frequency control (AFC)
- Data quality detection (DQD)
- Internal data filtering and clock recovery
- RX synchron pattern recognition
- SPI compatible serial control interface
- Clock and reset signals for microcontroller
- 16 bit RX Data FIFO
- Two 8 bit TX data registers
- Low power duty cycle mode
- Standard 10 MHz crystal reference
- Wake-up timer
- 2.2 to 5.4 V supply voltage
- Low power consumption
- Low standby current (0.3 μA)
- Compact 16 pin TSSOP package

## TYPICAL APPLICATIONS

- Remote control
- Home security and alarm
- Wireless keyboard/mouse and other PC peripherals
- Toy controls
- Remote keyless entry
- Tire pressure monitoring
- Telemetry
- Personal/patient data logging
- Remote automatic meter reading

## DETAILED FEATURE-LEVEL DESCRIPTION

The IA4420 FSK transceiver is designed to cover the unlicensed frequency bands at 315, 433, 868 and 915 MHz. The devices facilitate compliance with FCC and ETSI requirements.

The receiver block employs the Zero-IF approach with I/Q demodulation, allowing the use of a minimal number of external components in a typical application. The IA4420 incorporates a fully integrated multi-band PLL synthesizer, PA with antenna tuning, an LNA with switchable gain, I/Q down converter mixers, baseband filters and amplifiers, and an I/Q demodulator followed by a data filter.

### PLL

The programmable PLL synthesizer determines the operating frequency, while preserving accuracy based on the on-chip crystal-controlled reference oscillator. The PLL's high resolution allows the usage of multiple channels in any of the bands.

The RF VCO in the PLL performs automatic calibration, which requires only a few microseconds. Calibration always occurs when the synthesizer starts. If temperature or supply voltage changes significantly, VCO recalibration can be invoked easily. Recalibration can be initiated at any time by switching the synthesizer off and back on again.

### RF Power Amplifier (PA)

The power amplifier has an open-collector differential output and can directly drive a loop antenna with a programmable output power level. An automatic antenna tuning circuit is built in to avoid costly trimming procedures and the so-called "hand effect."

### LNA

The LNA has 250 Ohm input impedance, which functions well with the proposed antennas (see: Application Notes available from <http://www.integration.com>)

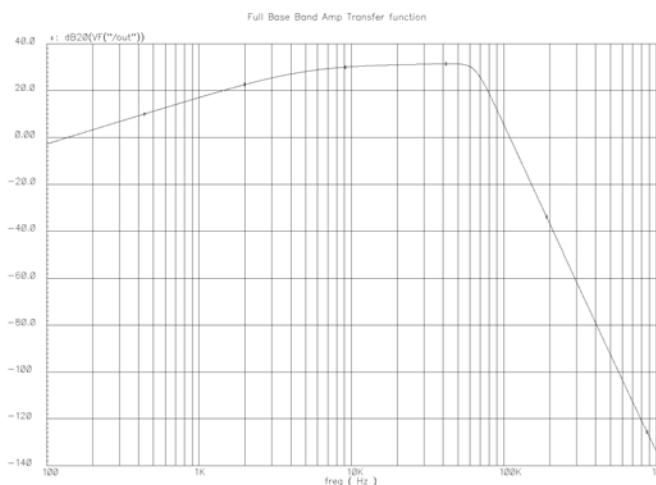
If the RF input of the chip is connected to 50 Ohm devices, an external matching circuit is required to provide the correct matching and to minimize the noise figure of the receiver.

The LNA gain can be selected (0, -6, -14, -20 dB relative to the highest gain) according to RF signal strength. It can be useful in an environment with strong interferers.

### Baseband Filters

The receiver bandwidth is selectable by programming the bandwidth (BW) of the baseband filters. This allows setting up the receiver according to the characteristics of the signal to be received.

An appropriate bandwidth can be chosen to accommodate various FSK deviation, data rate and crystal tolerance requirements. The filter structure is 7th order Butterworth low-pass with 40 dB suppression at  $2 \times BW$  frequency. Offset cancellation is done by using a high-pass filter with a cut-off frequency below 7 kHz.



### Data Filtering and Clock Recovery

Output data filtering can be completed by an external capacitor or by using digital filtering according to the final application.

**Analog operation:** The filter is an RC type low-pass filter followed by a Schmitt-trigger (St). The resistor (10 kOhm) and the St are integrated on the chip. An (external) capacitor can be chosen according to the actual bit rate. In this mode, the receiver can handle up to 256 kbps data rate. The FIFO can not be used in this mode and clock is not provided for the demodulated data.

**Digital operation:** A digital filter is used with a clock frequency at 29 times the bit rate. In this mode there is a clock recovery circuit (CR), which can provide synchronized clock to the data. Using this clock the received data can fill a FIFO. The CR has three operation modes: fast, slow, and automatic. In slow mode, its noise immunity is very high, but it has slower settling time and requires more accurate data timing than in fast mode. In automatic mode the CR automatically changes between fast and slow mode. The CR starts in fast mode, then after locking it automatically switches to slow mode

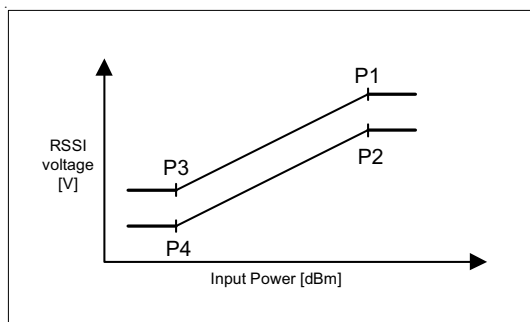
(Only the digital data filter and the clock recovery use the bit rate clock. For analog operation, there is no need for setting the correct bit rate.)

## Data Validity Blocks

### RSSI

A digital RSSI output is provided to monitor the input signal level. It goes high if the received signal strength exceeds a given preprogrammed level. An analog RSSI signal is also available. The RSSI settling time depends on the external filter capacitor. Pin 15 is used as analog RSSI output. The digital RSSI can be monitored by reading the status register.

Analog RSSI Voltage vs. RF Input Power



|    |          |         |
|----|----------|---------|
| P1 | -65 dBm  | 1300 mV |
| P2 | -65 dBm  | 1000 mV |
| P3 | -100 dBm | 600 mV  |
| P4 | -100 dBm | 300 mV  |

### DQD

The Data Quality Detector is based on counting the spikes on the unfiltered received data. For correct operation, the “DQD threshold” parameter must be filled in by using the *Data Filter Command*.

### AFC

By using an integrated Automatic Frequency Control (AFC) feature, the receiver can minimize the TX/RX offset in discrete steps, allowing the use of:

- Inexpensive, low accuracy crystals
- Narrower receiver bandwidth (i.e. increased sensitivity)
- Higher data rate

### Crystal Oscillator

The IA4420 has a single-pin crystal oscillator circuit, which provides a 10 MHz reference signal for the PLL. To reduce external parts and simplify design, the crystal load capacitor is internal and programmable. Guidelines for selecting the appropriate crystal can be found later in this datasheet.

The transceiver can supply the clock signal for the microcontroller; so accurate timing is possible without the need for a second crystal.

When the microcontroller turns the crystal oscillator off by clearing the appropriate bit using the *Configuration Setting Command*, the chip provides a fixed number (196) of further clock pulses (“clock tail”) for the microcontroller to let it go to idle or sleep mode.

### Low Battery Voltage Detector

The low battery detector circuit monitors the supply voltage and generates an interrupt if it falls below a programmable threshold level. The detector circuit has 50 mV hysteresis.

### Wake-Up Timer

The wake-up timer has very low current consumption (1.5 uA typical) and can be programmed from 1 ms to several days with an accuracy of  $\pm 5\%$ .

It calibrates itself to the crystal oscillator at every startup, and then at every 30 seconds. When the crystal oscillator is switched off, the calibration circuit switches it back on only long enough for a quick calibration (a few milliseconds) to facilitate accurate wake-up timing.

### Event Handling

In order to minimize current consumption, the transceiver supports different power saving modes. Active mode can be initiated by several wake-up events (negative logical pulse on nINT input, wake-up timer timeout, low supply voltage detection, on-chip FIFO filled up or receiving a request through the serial interface).

If any wake-up event occurs, the wake-up logic generates an interrupt signal, which can be used to wake up the microcontroller, effectively reducing the period the microcontroller has to be active. The source of the interrupt can be read out from the transceiver by the microcontroller through the SDO pin.

### Interface and Controller

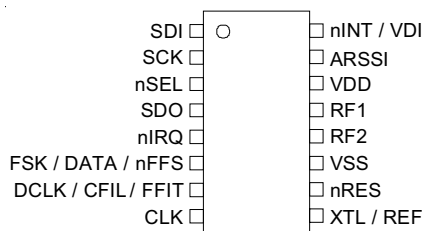
An SPI compatible serial interface lets the user select the frequency band, center frequency of the synthesizer, and the bandwidth of the baseband signal path. Division ratio for the microcontroller clock, wake-up timer period, and low supply voltage detector threshold are also programmable. Any of these auxiliary functions can be disabled when not needed. All parameters are set to default after power-on; the programmed values are retained during sleep mode. The interface supports the read-out of a status register, providing detailed information about the status of the transceiver and the received data.

The transmitter block is equipped with an 8 bit wide TX data register. It is possible to write 8 bits into the register in burst mode and the internal bit rate generator transmits the bits out with the predefined rate.

It is also possible to store the received data bits into a FIFO register and read them out in a buffered mode.

## PACKAGE PIN DEFINITIONS

Pin type key: D=digital, A=analog, S=supply, I=input, O=output, IO=input/output

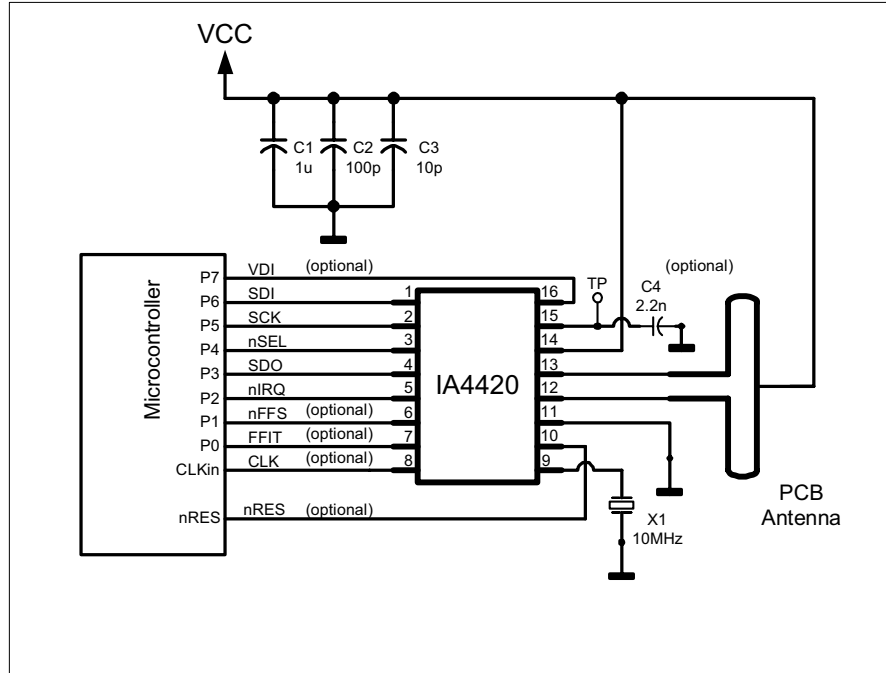


| Pin | Name  | Type | Function   |
|-----|-------|------|--|
| 1   | SDI   | DI   | Data input of the serial control interface (SPI compatible)  |
| 2   | SCK   | DI   | Clock input of the serial control interface  |
| 3   | nSEL  | DI   | Chip select input of the serial control interface (active low)   |
| 4   | SDO   | DO   | Serial data output with bus hold   |
| 5   | nIRQ  | DO   | Interrupt request output (active low)  |
| 6   | FSK   | DI   | Transmit FSK data input  |
|     | DATA  | DO   | Received data output (FIFO not used)   |
|     | nFFS  | DI   | FIFO select input (active low) In FIFO mode, when bit <i>ef</i> is set in <i>Configuration Setting Command</i>   |
| 7   | DLCK  | DO   | Received data clock output (Digital filter used, FIFO not used)  |
|     | CFIL  | AIO  | External data filter capacitor connection (Analog filter used)   |
|     | FFIT  | DO   | FIFO interrupt (active high) Number of the bits in the RX FIFO that reach the preprogrammed limit<br>In FIFO mode, when bit <i>ef</i> is set in <i>Configuration Setting Command</i> |
| 8   | CLK   | DO   | Microcontroller clock output   |
| 9   | XTL   | AIO  | Crystal connection (the other terminal of crystal to VSS) or external reference input  |
|     | REF   | AIO  | External reference input. Use 33 pF series coupling capacitor  |
| 10  | nRES  | DIO  | Open drain reset output with internal pull-up and input buffer (active low)  |
| 11  | VSS   | S    | Ground reference voltage   |
| 12  | RF2   | AIO  | RF differential signal input/output  |
| 13  | RF1   | AIO  | RF differential signal input/output  |
| 14  | VDD   | S    | Positive supply voltage  |
| 15  | ARSSI | AO   | Analog RSSI output   |
| 16  | nINT  | DI   | Interrupt input (active low)   |
|     | VDI   | DO   | Valid data indicator output  |

**Note:** The actual mode of the multipurpose pins (pin 6 and 7) is determined by the TX/RX data I/O settings of the transceiver.

Typical Application

Typical application with FIFO usage



|  | Pin 6                 | Pin 7                |
|--|-----------------------|----------------------|
| Transmit mode<br>el=0 in Configuration Setting Command | TX Data input         | -                    |
| Transmit mode<br>el=1 in Configuration Setting Command | Connect to logic high | -                    |
| Receive mode<br>ef=0 in Configuration Setting Command  | RX Data output        | RX Data clock output |
| Receive mode<br>ef=1 in Configuration Setting Command  | nFFS input            | FFIT output          |

## GENERAL DEVICE SPECIFICATION

All voltages are referenced to  $V_{ss}$ , the potential on the ground reference pin VSS.

### Absolute Maximum Ratings (non-operating)

| Symbol   | Parameter                                     | Min  | Max                   | Units |
|----------|---|------|-----------------------|-------|
| $V_{dd}$ | Positive supply voltage                       | -0.5 | 6                     | V     |
| $V_{in}$ | Voltage on any pin (except RF1 and RF2)       | -0.5 | $V_{dd}+0.5$          | V     |
| $V_{oc}$ | Voltage on open collector outputs (RF1, RF2)  | -0.5 | $V_{dd}+1.5$ (Note 1) | V     |
| $I_{in}$ | Input current into any pin except VDD and VSS | -25  | 25                    | mA    |
| ESD      | Electrostatic discharge with human body model |      | 1000                  | V     |
| $T_{st}$ | Storage temperature                           | -55  | 125                   | °C    |
| $T_{ld}$ | Lead temperature (soldering, max 10 s)        |      | 260                   | °C    |

### Recommended Operating Range

| Symbol     | Parameter  | Min                   | Max                   | Units |
|------------|--|-----------------------|-----------------------|-------|
| $V_{dd}$   | Positive supply voltage                              | 2.2                   | 5.4                   | V     |
| $V_{ocDC}$ | DC voltage on open collector outputs (RF1, RF2)      | $V_{dd}-1.5$ (Note 1) | $V_{dd}+1.5$ (Note 2) | V     |
| $V_{ocAC}$ | AC peak voltage on open collector outputs (RF1, RF2) |                       | $V_{dd}+1.5$          | V     |
| $T_{op}$   | Ambient operating temperature                        | -40                   | 85                    | °C    |

**Note 1:** At maximum,  $V_{dd}+1.5$  V cannot be higher than 7 V. At minimum,  $V_{dd}-1.5$  V cannot be lower than 1.2 V.

**Note 2:** At maximum,  $V_{dd}+1.5$  V cannot be higher than 5.5 V.

## ELECTRICAL SPECIFICATION

(Min/max values are valid over the whole recommended operating range. Typical conditions:  $T_{op} = 27\text{ °C}$ ;  $V_{dd} = V_{oc} = 2.7\text{ V}$ )

### DC Characteristics

| Symbol                | Parameter  | Conditions/Notes                                  | Min                | Typ            | Max                | Units         |
|-----------------------|--|---|--------------------|----------------|--------------------|---------------|
| $I_{dd\_TX\_0}$       | Supply current<br>(TX mode, $P_{out} = 0\text{ dBm}$ ) | 315/433 MHz bands<br>868 MHz band<br>915 MHz band |                    | 13<br>16<br>17 | 14<br>18<br>19     | mA            |
| $I_{dd\_TX\_P_{MAX}}$ | Supply current<br>(TX mode, $P_{out} = P_{max}$ )      | 315/433 MHz bands<br>868 MHz band<br>915 MHz band |                    | 21<br>23<br>24 | 22<br>25<br>26     | mA            |
| $I_{dd\_RX}$          | Supply current<br>(RX mode)                            | 315/433 MHz bands<br>868 MHz band<br>915 MHz band |                    | 11<br>12<br>13 | 13<br>14<br>15     | mA            |
| $I_{pd}$              | Standby current (Sleep mode)                           | All blocks disabled                               |                    | 0.3            |                    | $\mu\text{A}$ |
| $I_{lb}$              | Low battery voltage detector current consumption       |   |                    | 0.5            |                    | $\mu\text{A}$ |
| $I_{wt}$              | Wake-up timer current consumption                      |   |                    | 1.5            |                    | $\mu\text{A}$ |
| $I_x$                 | Idle current   | Crystal oscillator and baseband parts are on      |                    | 3              | 3.5                | mA            |
| $V_{lb}$              | Low battery detect threshold                           | Programmable in 0.1 V steps                       | 2.2                |                | 5.3                | V             |
| $V_{lba}$             | Low battery detection accuracy                         |   |                    | +/-75          |                    | mV            |
| $V_{il}$              | Digital input low level voltage                        |   |                    |                | $0.3 \cdot V_{dd}$ | V             |
| $V_{ih}$              | Digital input high level voltage                       |   | $0.7 \cdot V_{dd}$ |                |                    | V             |
| $I_{il}$              | Digital input current                                  | $V_{il} = 0\text{ V}$                             | -1                 |                | 1                  | $\mu\text{A}$ |
| $I_{ih}$              | Digital input current                                  | $V_{ih} = V_{dd}$ , $V_{dd} = 5.4\text{ V}$       | -1                 |                | 1                  | $\mu\text{A}$ |
| $V_{ol}$              | Digital output low level                               | $I_{ol} = 2\text{ mA}$                            |                    |                | 0.4                | V             |
| $V_{oh}$              | Digital output high level                              | $I_{oh} = -2\text{ mA}$                           | $V_{dd}-0.4$       |                |                    | V             |

**AC Characteristics (PLL parameters)**

| Symbol     | Parameter                                 | Conditions/Notes   | Min                                  | Typ | Max                                  | Units |
|------------|---|--|--------------------------------------|-----|--------------------------------------|-------|
| $f_{ref}$  | PLL reference frequency                   | (Note 1)   | 8                                    | 10  | 12                                   | MHz   |
| $f_o$      | Receiver LO/Transmitter carrier frequency | 315 MHz band, 2.5 kHz resolution<br>433 MHz band, 2.5 kHz resolution<br>868 MHz band, 5.0 kHz resolution<br>915 MHz band, 7.5 kHz resolution | 310.24<br>430.24<br>860.48<br>900.72 |     | 319.75<br>439.75<br>879.51<br>929.27 | MHz   |
| $t_{lock}$ | PLL lock time                             | Frequency error < 1kHz<br>after 10 MHz step  |                                      | 20  |                                      | us    |
| $t_{st,P}$ | PLL startup time                          | With a running crystal oscillator  |                                      |     | 250                                  | us    |

**AC Characteristics (Receiver)**

| Symbol               | Parameter                     | Conditions/Notes  | Min                                   | Typ                                   | Max                                   | Units |
|----------------------|-------------------------------|---|---------------------------------------|---------------------------------------|---------------------------------------|-------|
| BW                   | Receiver bandwidth            | mode 0<br>mode 1<br>mode 2<br>mode 3<br>mode 4<br>mode 5  | 60<br>120<br>180<br>240<br>300<br>360 | 67<br>134<br>200<br>270<br>350<br>400 | 75<br>150<br>225<br>300<br>375<br>450 | kHz   |
| BR                   | FSK bit rate                  | With internal digital filters   | 0.6                                   |                                       | 115.2                                 | kbps  |
| BRA                  | FSK bit rate                  | With analog filter  |                                       |                                       | 256                                   | kbps  |
| $P_{min}$            | Receiver Sensitivity          | BER $10^{-3}$ , BW=67 kHz, BR=1.2 kbps (Note 2)   |                                       | -109                                  | -100                                  | dBm   |
| $AFC_{range}$        | AFC locking range             | $df_{FSK}$ : FSK deviation in the received signal   |                                       | $0.8 \cdot df_{FSK}$                  |                                       |       |
| IIP3 <sub>inh</sub>  | Input IP3                     | In band interferers in high bands (868, 915 MHz)  |                                       | -21                                   |                                       | dBm   |
| IIP3 <sub>outh</sub> | Input IP3                     | Out of band interferers<br>$ f-f_o  > 4$ MHz  |                                       | -18                                   |                                       | dBm   |
| IIP3 <sub>inl</sub>  | IIP3 (LNA -6 dB gain)         | In band interferers in low bands (315, 433 MHz)   |                                       | -15                                   |                                       | dBm   |
| IIP3 <sub>outl</sub> | IIP3 (LNA -6 dB gain)         | Out of band interferers<br>$ f-f_o  > 4$ MHz  |                                       | -12                                   |                                       | dBm   |
| $P_{max}$            | Maximum input power           | LNA: high gain  | 0                                     |                                       |                                       | dBm   |
| $C_{in}$             | RF input capacitance          |   |                                       | 1                                     |                                       | pF    |
| $RS_a$               | RSSI accuracy                 |   |                                       | +/-5                                  |                                       | dB    |
| $RS_r$               | RSSI range                    |   |                                       | 46                                    |                                       | dB    |
| $C_{ARSSI}$          | Filter capacitor for ARSSI    |   | 1                                     |                                       |                                       | nF    |
| $RS_{step}$          | RSSI programmable level steps |   |                                       | 6                                     |                                       | dB    |
| $RS_{resp}$          | DRSSI response time           | Until the RSSI signal goes high after the input signal exceeds the preprogrammed limit $C_{ARSSI} = 5$ nF |                                       | 500                                   |                                       | us    |

All notes for tables above are on page 10.



**AC Characteristics (Transmitter)**

| Symbol     | Parameter   | Conditions/Notes                           | Min          | Typ        | Max        | Units  |
|------------|---|--|--------------|------------|------------|--------|
| $I_{OUT}$  | Open collector output DC current                                  | Programmable                               | 0.5          |            | 6          | mA     |
| $P_{max}$  | Available output power with optimal antenna impedance (Note 3, 4) | In low bands<br>In high bands              |              | 8<br>4     |            | dBm    |
| $P_{out}$  | Typical output power  | Selectable in 3 dB steps (Note 5)          | $P_{max}-21$ |            | $P_{max}$  | dBm    |
| $P_{sp}$   | Spurious emission   | At max power with loop antenna (Note 6)    |              |            | -50        | dBc    |
| $C_o$      | Output capacitance (set by the automatic antenna tuning circuit)  | In low bands<br>In high bands              | 2<br>2.1     | 2.6<br>2.7 | 3.2<br>3.3 | pF     |
| $Q_o$      | Quality factor of the output capacitance                          | In low bands<br>In high bands              | 13<br>8      | 15<br>10   | 17<br>12   |        |
| $L_{out}$  | Output phase noise  | 100 kHz from carrier<br>1 MHz from carrier |              | -75<br>-85 |            | dBc/Hz |
| BR         | FSK bit rate  |  |              |            | 256        | kbps   |
| $df_{fsk}$ | FSK frequency deviation   | Programmable in 15 kHz steps               | 15           |            | 240        | kHz    |

**AC Characteristics (Turn-on/Turnaround timings)**

| Symbol                 | Parameter                            | Conditions/Notes  | Min | Typ | Max | Units |
|------------------------|--------------------------------------|---|-----|-----|-----|-------|
| $t_{sx}$               | Crystal oscillator startup time      | Crystal ESR < 100   |     |     | 5   | ms    |
| $T_{TX\_RX\_XTAL\_ON}$ | Transmitter - Receiver turnover time | Synthesizer off, crystal oscillator on during TX/RX change with 10 MHz step |     | 450 |     | us    |
| $T_{RX\_TX\_XTAL\_ON}$ | Receiver - Transmitter turnover time | Synthesizer off, crystal oscillator on during RX/TX change with 10 MHz step |     | 350 |     | us    |
| $T_{TX\_RX\_SYNT\_ON}$ | Transmitter - Receiver turnover time | Synthesizer and crystal oscillator on during TX/RX change with 10 MHz step  |     | 425 |     | us    |
| $T_{RX\_TX\_SYNT\_ON}$ | Receiver - Transmitter turnover time | Synthesizer and crystal oscillator on during RX/TX change with 10 MHz step  |     | 300 |     | us    |

**AC Characteristics (Others)**

| Symbol     | Parameter   | Conditions/Notes                                       | Min  | Typ | Max  | Units |
|------------|---|--|------|-----|------|-------|
| $C_{xl}$   | Crystal load capacitance, see crystal selection guide | Programmable in 0.5 pF steps, tolerance +/- 10%        | 8.5  |     | 16   | pF    |
| $t_{POR}$  | Internal POR timeout                                  | After $V_{dd}$ has reached 90% of final value (Note 7) |      |     | 100  | ms    |
| $t_{PBt}$  | Wake-up timer clock period                            | Calibrated every 30 seconds                            | 0.95 |     | 1.05 | ms    |
| $C_{in,D}$ | Digital input capacitance                             |  |      |     | 2    | pF    |
| $t_{r,f}$  | Digital output rise/fall time                         | 15 pF pure capacitive load                             |      |     | 10   | ns    |

All notes for tables above are on page 10.

**AC Characteristics (continued)**

**Note 1:** Not using a 10 MHz crystal is allowed but not recommended because all crystal referred timing and frequency parameters will change accordingly.

**Note 2:** See the BER diagrams in the measurement results section for detailed information (Not available at this time).

**Note 3:** See matching circuit parameters and antenna design guide for information.

**Note 4:** Optimal antenna admittance/impedance:

| IA4420  | Yantenna [S]      | Zantenna [Ohm] | Lantenna [nH] |
|---------|-------------------|----------------|---------------|
| 315 MHz | 1.5E-3 - j5.14E-3 | 52 + j179      | 98.00         |
| 433 MHz | 1.4E-3 - j7.1E-3  | 27 + j136      | 52.00         |
| 868 MHz | 2E-3 - j1.5E-2    | 8.7 + j66      | 12.50         |
| 915 MHz | 2.2E-3 - j1.55E-2 | 9 + j63        | 11.20         |

**Note 5:** Adjustable in 8 steps.

**Note 6:** With selective resonant antennas (see: Application Notes available from <http://www.integration.com>).

**Note 7:** During this period, commands are not accepted by the chip.

## CONTROL INTERFACE

Commands to the transmitter are sent serially. Data bits on pin SDI are shifted into the device upon the rising edge of the clock on pin SCK whenever the chip select pin nSEL is low. When the nSEL signal is high, it initializes the serial interface. All commands consist of a command code, followed by a varying number of parameter or data bits. All data are sent MSB first (e.g. bit 15 for a 16-bit command). Bits having no influence (don't care) are indicated with X. The Power On Reset (POR) circuit sets default values in all control and command registers.

The receiver will generate an interrupt request (IT) for the microcontroller - by pulling the nIRQ pin low - on the following events:

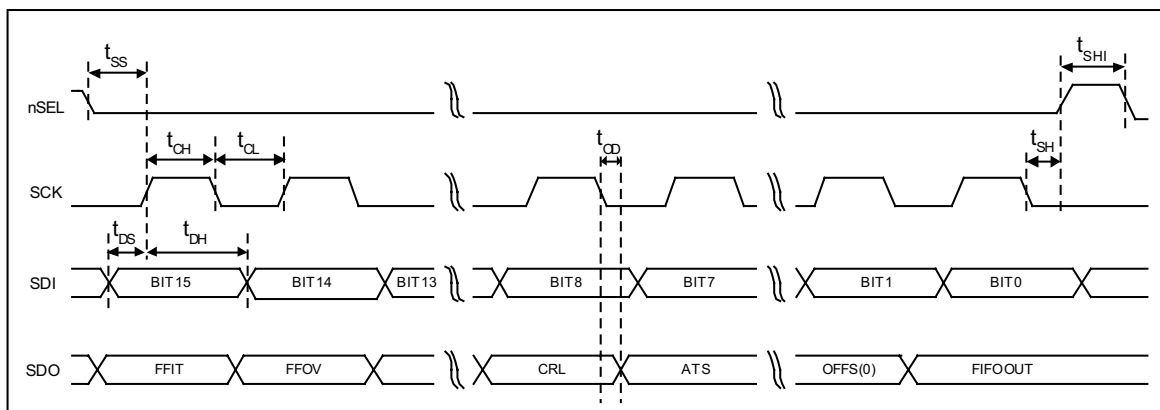
- The TX register is ready to receive the next byte (RGIT)
- The FIFO has received the preprogrammed amount of bits (FFIT)
- Power-on reset (POR)
- FIFO overflow (FFOV) / TX register underrun (RGUR)
- Wake-up timer timeout (WKUP)
- Negative pulse on the interrupt input pin nINT (EXT)
- Supply voltage below the preprogrammed value is detected (LBD)

FFIT and FFOV are applicable when the FIFO is enabled. RGIT and RGUR are applicable only when the TX register is enabled. To identify the source of the IT, the status bits should be read out.

### Timing Specification

| Symbol    | Parameter  | Minimum Value [ns] |
|-----------|--|--------------------|
| $t_{CH}$  | Clock high time  | 25                 |
| $t_{CL}$  | Clock low time   | 25                 |
| $t_{SS}$  | Select setup time (nSEL falling edge to SCK rising edge) | 10                 |
| $t_{SH}$  | Select hold time (SCK falling edge to nSEL rising edge)  | 10                 |
| $t_{SHI}$ | Select high time   | 25                 |
| $t_{DS}$  | Data setup time (SDI transition to SCK rising edge)      | 5                  |
| $t_{DH}$  | Data hold time (SCK rising edge to SDI transition)       | 5                  |
| $t_{OD}$  | Data delay time  | 10                 |
| $t_{BL}$  | Push-button input low time                               | 25                 |

### Timing Diagram



## Control Commands

| Control Command   | Related Parameters/Functions   | Related control bits                        |
|---|--|---|
| 1 Configuration Setting Command                                   | Frequency band, crystal oscillator load capacitance, baseband filter bandwidth, etc.                         | el, ef, b1 to b0, x3 to x0                  |
| 2 Power Management Command  | Receiver/Transmitter mode change, synthesizer, xtal osc, PA, wake-up timer, clock output can be enabled here | er, ebb, et, es, ex, eb, ew, dc             |
| 3 Frequency Setting Command                                       | Data frequency of the local oscillator/carrier signal  | f11 to f0                                   |
| 4 Data Rate Command   | Bit rate   | cs, r6 to r0                                |
| 5 Receiver Control Command  | Function of pin 16, Valid Data Indicator, baseband bw, LNA gain, digital RSSI threshold                      | p16, d1 to d0, i2 to i0, g1 to g0, r2 to r0 |
| 6 Data Filter Command   | Data filter type, clock recovery parameters  | al, ml, s1 to s0, f2 to f0                  |
| 7 FIFO and Reset Mode Command                                     | Data FIFO IT level, FIFO start control, FIFO enable and FIFO fill enable                                     | f3 to f0, s1 to s0, ff, fe                  |
| 8 Receiver FIFO Read Command                                      | RX FIFO can be read with this command  |   |
| 9 AFC Command   | AFC parameters   | a1 to a0, r11 to r10, st, fi, oe, en        |
| 10 TX Configuration Control Command                               | Modulation parameters, output power, ea  | mp, m3 to m0, p2 to p0                      |
| 11 Transmitter Register Write Command                             | TX data register can be written with this command  | t7 to t0                                    |
| 12 Wake-Up Timer Command  | Wake-up time period  | r4 to r0, m7 to m0                          |
| 13 Low Duty-Cycle Command   | Enable low duty-cycle mode. Set duty-cycle.  | d6 to d0, en                                |
| 14 Low Battery Detector and Microcontroller Clock Divider Command | LBD voltage and microcontroller clock division ratio   | d2 to d0, v4 to v0                          |
| 15 Status Read Command  | Status bits can be read out  |   |

In general, setting the given bit to one will activate the related function. In the following tables, the POR column shows the default values of the command registers after power-on.

## Description of the Control Commands

### 1. Configuration Setting Command

| Bit | 15 | 14 | 13 | 12 | 11 | 10 | 9 | 8 | 7  | 6  | 5  | 4  | 3  | 2  | 1  | 0  | POR   |
|-----|----|----|----|----|----|----|---|---|----|----|----|----|----|----|----|----|-------|
|     | 1  | 0  | 0  | 0  | 0  | 0  | 0 | 0 | el | ef | b1 | b0 | x3 | x2 | x1 | x0 | 8008h |

Bit *el* enables the internal data register. If the data register is used the FSK pin must be connected to logic high level.

Bit *ef* enables the FIFO mode. If *ef*=0 then DATA (pin 6) and DCLK (pin 7) are used for data and data clock output.

| b1 | b0 | Frequency Band [MHz] |
|----|----|----------------------|
| 0  | 0  | 315                  |
| 0  | 1  | 433                  |
| 1  | 0  | 868                  |
| 1  | 1  | 915                  |

| x3  | x2 | x1 | x0 | Crystal Load Capacitance [pF] |
|-----|----|----|----|-------------------------------|
| 0   | 0  | 0  | 0  | 8.5                           |
| 0   | 0  | 0  | 1  | 9.0                           |
| 0   | 0  | 1  | 0  | 9.5                           |
| 0   | 0  | 1  | 1  | 10.0                          |
| ... |    |    |    |                               |
| 1   | 1  | 1  | 0  | 15.5                          |
| 1   | 1  | 1  | 1  | 16.0                          |

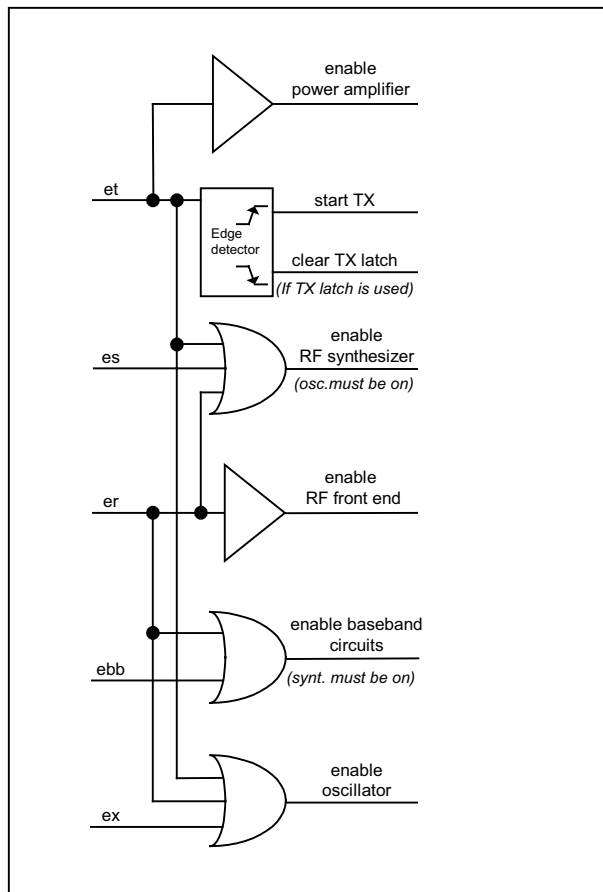
2. Power Management Command

|     |    |    |    |    |    |    |   |   |    |     |    |    |    |    |    |    |       |
|-----|----|----|----|----|----|----|---|---|----|-----|----|----|----|----|----|----|-------|
| Bit | 15 | 14 | 13 | 12 | 11 | 10 | 9 | 8 | 7  | 6   | 5  | 4  | 3  | 2  | 1  | 0  | POR   |
|     | 1  | 0  | 0  | 0  | 0  | 0  | 1 | 0 | er | ebb | et | es | ex | eb | ew | dc | 8208h |

| Bit | Function of the control bit   | Related blocks                                  |
|-----|---|---|
| er  | Enables the whole receiver chain  | RF front end, baseband, synthesizer, oscillator |
| ebb | The receiver baseband circuit can be separately switched on                                       | Baseband  |
| et  | Switches on the PLL, the power amplifier, and starts the transmission (If TX register is enabled) | Power amplifier, synthesizer, oscillator        |
| es  | Turns on the synthesizer  | Synthesizer                                     |
| ex  | Turns on the crystal oscillator   | Crystal oscillator                              |
| eb  | Enables the low battery detector  | Low battery detector                            |
| ew  | Enables the wake-up timer   | Wake-up timer                                   |
| dc  | Disables the clock output (pin 8)   | Clock output buffer                             |

The *ebb*, *es*, and *ex* bits are provided to optimize the TX to RX or RX to TX turnaround time.

Logic connections between power control bits:



**3. Frequency Setting Command**

|     |    |    |    |    |     |     |    |    |    |    |    |    |    |    |    |    |       |
|-----|----|----|----|----|-----|-----|----|----|----|----|----|----|----|----|----|----|-------|
| Bit | 15 | 14 | 13 | 12 | 11  | 10  | 9  | 8  | 7  | 6  | 5  | 4  | 3  | 2  | 1  | 0  | POR   |
|     | 1  | 0  | 1  | 0  | f11 | f10 | f9 | f8 | f7 | f6 | f5 | f4 | f3 | f2 | f1 | f0 | A680h |

The 12-bit parameter F (bits f11 to f0) should be in the range of 96 and 3903. When F value sent is out of range, the previous value is kept. The synthesizer center frequency  $f_0$  can be calculated as:

$$f_0 = 10 * C1 * (C2 + F/4000) \text{ [MHz]}$$

The constants C1 and C2 are determined by the selected band as:

| Band [MHz] | C1 | C2 |
|------------|----|----|
| 315        | 1  | 31 |
| 433        | 1  | 43 |
| 868        | 2  | 43 |
| 915        | 3  | 30 |

**4. Data Rate Command**

|     |    |    |    |    |    |    |   |   |    |    |    |    |    |    |    |    |       |
|-----|----|----|----|----|----|----|---|---|----|----|----|----|----|----|----|----|-------|
| Bit | 15 | 14 | 13 | 12 | 11 | 10 | 9 | 8 | 7  | 6  | 5  | 4  | 3  | 2  | 1  | 0  | POR   |
|     | 1  | 1  | 0  | 0  | 0  | 1  | 1 | 0 | cs | r6 | r5 | r4 | r3 | r2 | r1 | r0 | C623h |

The actual bit rate in transmit mode and the expected bit rate of the received data stream in receive mode is determined by the 7-bit parameter R (bits r6 to r0) and bit cs.

$$BR = 10000 / 29 / (R+1) / (1+cs*7) \text{ [kbps]}$$

In the receiver set R according to the next function:

$$R = (10000 / 29 / (1+cs*7) / BR) - 1, \text{ where BR is the expected bit rate in kbps.}$$

Apart from setting custom values, the standard bit rates from 600 bps to 115.2 kbps can be approximated with small error.

Data rate accuracy requirements:

$$\text{Clock recovery in slow mode: } \Delta BR / BR < 1 / (29 * N_{bit})$$

$$\text{Clock recovery in fast mode: } \Delta BR / BR < 3 / (29 * N_{bit})$$

BR is the bit rate set in the receiver and  $\Delta BR$  is the bit rate difference between the transmitter and the receiver.  $N_{bit}$  is the maximal number of consecutive ones or zeros in the data stream. It is recommended for long data packets to include enough 1/0 and 0/1 transitions, and be careful to use the same division ratio in the receiver and in the transmitter.

**5. Receiver Control Command**

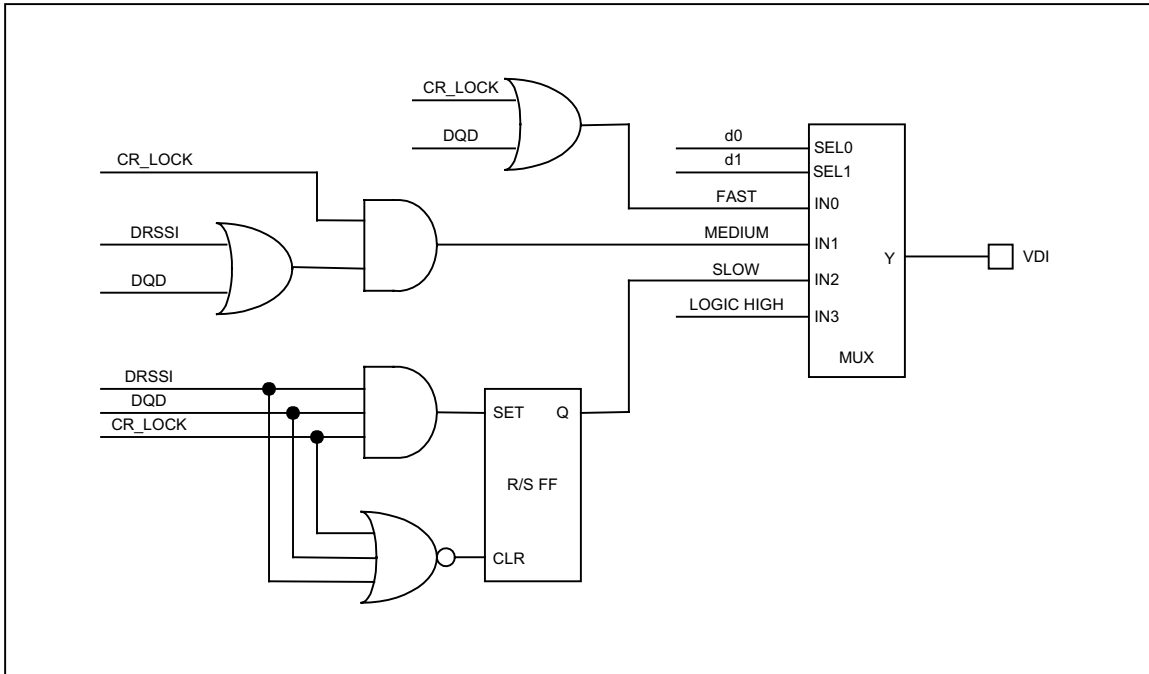
|     |    |    |    |    |    |     |    |    |    |    |    |    |    |    |    |    |       |
|-----|----|----|----|----|----|-----|----|----|----|----|----|----|----|----|----|----|-------|
| Bit | 15 | 14 | 13 | 12 | 11 | 10  | 9  | 8  | 7  | 6  | 5  | 4  | 3  | 2  | 1  | 0  | POR   |
|     | 1  | 0  | 0  | 1  | 0  | p16 | d1 | d0 | i2 | i1 | i0 | g1 | g0 | r2 | r1 | r0 | 9080h |

Bit 10 (p16): pin16 function select

| p16 | Function of pin 16 |
|-----|--------------------|
| 0   | Interrupt input    |
| 1   | VDI output         |

Bits 9-8 (*d1 to d0*): VDI (valid data indicator) signal response time setting:

| d1 | d0 | Response  |
|----|----|-----------|
| 0  | 0  | Fast      |
| 0  | 1  | Medium    |
| 1  | 0  | Slow      |
| 1  | 1  | Always on |



Bits 7-5 (*i2 to i0*): Receiver baseband bandwidth (BW) select:

| i2 | i1 | i0 | BW [kHz] |
|----|----|----|----------|
| 0  | 0  | 0  | reserved |
| 0  | 0  | 1  | 400      |
| 0  | 1  | 0  | 340      |
| 0  | 1  | 1  | 270      |
| 1  | 0  | 0  | 200      |
| 1  | 0  | 1  | 134      |
| 1  | 1  | 0  | 67       |
| 1  | 1  | 1  | reserved |

Bits 4-3 (*g1* to *g0*): LNA gain select:

| <i>g1</i> | <i>g0</i> | relative to maximum [dB] |
|-----------|-----------|--------------------------|
| 0         | 0         | 0                        |
| 0         | 1         | -6                       |
| 1         | 0         | -14                      |
| 1         | 1         | -20                      |

Bits 2-0 (*r2* to *r0*): RSSI detector threshold:

| <i>r2</i> | <i>r1</i> | <i>r0</i> | RSSI <sub>setth</sub> [dBm] |
|-----------|-----------|-----------|-----------------------------|
| 0         | 0         | 0         | -103                        |
| 0         | 0         | 1         | -97                         |
| 0         | 1         | 0         | -91                         |
| 0         | 1         | 1         | -85                         |
| 1         | 0         | 0         | -79                         |
| 1         | 0         | 1         | -73                         |
| 1         | 1         | 0         | -67                         |
| 1         | 0         | 1         | -61                         |

The RSSI threshold depends on the LNA gain, the real RSSI threshold can be calculated:

$$RSSI_{th} = RSSI_{setth} + G_{LNA}$$

**6. Data Filter Command**

| Bit | 15 | 14 | 13 | 12 | 11 | 10 | 9 | 8 | 7  | 6  | 5 | 4 | 3 | 2  | 1  | 0  | POR   |
|-----|----|----|----|----|----|----|---|---|----|----|---|---|---|----|----|----|-------|
|     | 1  | 1  | 0  | 0  | 0  | 0  | 1 | 0 | al | ml | 1 | s | 1 | f2 | f1 | f0 | C22Ch |

Bit 7 (*al*): Clock recovery (CR) auto lock control, if set.

CR will start in fast mode, then after locking it will automatically switch to slow mode.

Bit 6 (*ml*): Clock recovery lock control

1: fast mode, fast attack and fast release (6 to 8 bit preamble (1010...) is recommended)

0: slow mode, slow attack and slow release (12 to 16 bit preamble is recommended)

Using the slow mode requires more accurate bit timing (see *Data Rate Command*).

Bits 4 (*s*): Select the type of the data filter:

| <i>s</i> | Filter Type      |
|----------|------------------|
| 0        | Digital filter   |
| 1        | Analog RC filter |

Digital: This is a digital realization of an analog RC filter followed by a comparator with hysteresis. The time constant is automatically adjusted to the bit rate defined by the *Data Rate Command*.

**Note:** Bit rate can not exceed 115 kpbs in this mode.

Analog RC filter: The demodulator output is fed to pin 7 over a 10 kOhm resistor. The filter cut-off frequency is set by the external capacitor connected to this pin and VSS.

$$C = 1 / (3 * R * \text{Bit Rate}), \text{ therefore the suggested value for 9600 bps is } 3.3 \text{ nF}$$

**Note:** If analog RC filter is selected the internal clock recovery circuit and the FIFO can not be used.



Bits 2-0 (*f2* to *f0*): DQD threshold parameter.

**Note:** To let the DQD report "good signal quality" the threshold parameter should be less than 4 in the case when the bitrate is close to the deviation. At higher deviation/bitrate settings higher threshold parameter can report "good signal quality" as well.

**7. FIFO and Reset Mode Command**

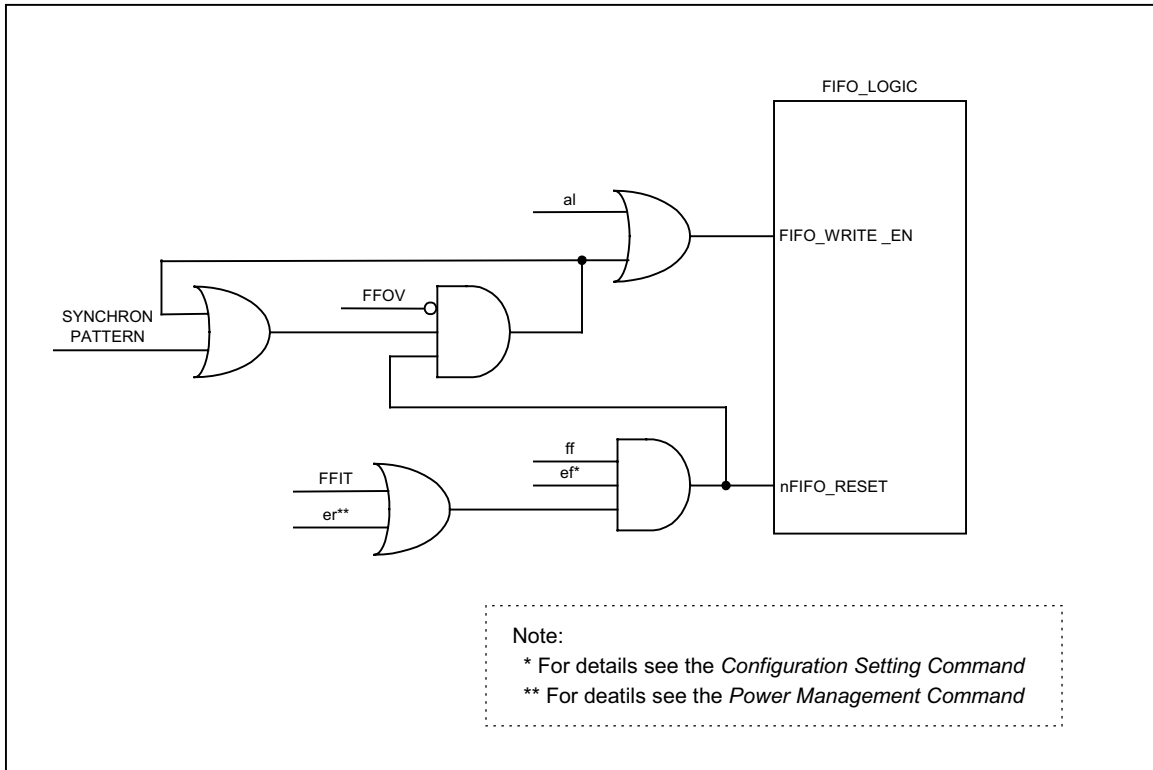
|     |    |    |    |    |    |    |   |   |    |    |    |    |   |    |    |    |       |
|-----|----|----|----|----|----|----|---|---|----|----|----|----|---|----|----|----|-------|
| Bit | 15 | 14 | 13 | 12 | 11 | 10 | 9 | 8 | 7  | 6  | 5  | 4  | 3 | 2  | 1  | 0  | POR   |
|     | 1  | 1  | 0  | 0  | 1  | 0  | 1 | 0 | f3 | f2 | f1 | f0 | 0 | al | ff | dr | CA80h |

Bits 7-4 (*f4* to *f0*): FIFO IT level. The FIFO generates IT when the number of received data bits reaches this level.

Bit 2 (*al*): Set the input of the FIFO fill start condition:

|           |                  |
|-----------|------------------|
| <b>al</b> |                  |
| 0         | Synchron pattern |
| 1         | Always fill      |

**Note:** Synchron pattern in microcontroller mode is 2DD4h.



Bit 1 (*ff*): FIFO fill will be enabled after synchron pattern reception. The FIFO fill stops when this bit is cleared.

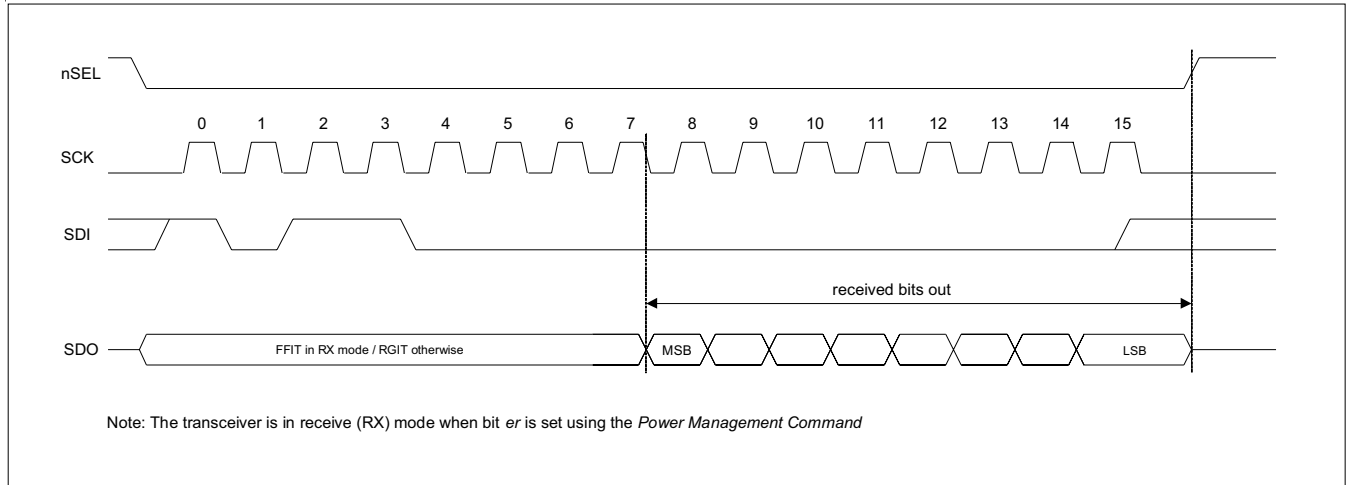
Bit 0 (*dr*): Disables the highly sensitive RESET mode. If this bit is cleared, a 200 mV glitch in the power supply may cause a system reset.

**Note:** To restart the synchron pattern recognition, bit 1 should be cleared and set.

**8. Receiver FIFO Read Command**

|     |    |    |    |    |    |    |   |   |   |   |   |   |   |   |   |   |      |
|-----|----|----|----|----|----|----|---|---|---|---|---|---|---|---|---|---|------|
| Bit | 15 | 14 | 13 | 12 | 11 | 10 | 9 | 8 | 7 | 6 | 5 | 4 | 3 | 2 | 1 | 0 | POR  |
|     | 1  | 0  | 1  | 1  | 0  | 0  | 0 | 0 | 0 | 0 | 0 | 0 | 0 | 0 | 0 | 0 | B00h |

With this command, the controller can read 8 bits from the receiver FIFO. Bit 6 (*ef*) must be set in *Configuration Setting Command*.



**9. AFC Command**

|     |    |    |    |    |    |    |   |   |    |    |    |    |    |    |    |    |       |
|-----|----|----|----|----|----|----|---|---|----|----|----|----|----|----|----|----|-------|
| Bit | 15 | 14 | 13 | 12 | 11 | 10 | 9 | 8 | 7  | 6  | 5  | 4  | 3  | 2  | 1  | 0  | POR   |
|     | 1  | 1  | 0  | 0  | 0  | 1  | 0 | 0 | a1 | a0 | r1 | r0 | st | fi | oe | en | C4F7h |

Bit 7-6 (*a1* to *a0*): Automatic operation mode selector:

| a1 | a0 |  |
|----|----|--|
| 0  | 0  | Auto mode off (Strobe is controlled by microcontroller)                    |
| 0  | 1  | Runs only once after each power-up   |
| 1  | 0  | Keep the $f_{offset}$ only during receiving (VDI=high)                     |
| 1  | 1  | Keep the $f_{offset}$ value independently from the state of the VDI signal |

Bit 5-4 (*r1* to *r0*): Range limit. Limits the value of the frequency offset register to the next values:

| r1 | r0 | Max deviation                  |
|----|----|--------------------------------|
| 0  | 0  | No restriction                 |
| 0  | 1  | +15 $f_{res}$ to -16 $f_{res}$ |
| 1  | 0  | +7 $f_{res}$ to -8 $f_{res}$   |
| 1  | 1  | +3 $f_{res}$ to -4 $f_{res}$   |

$f_{res}$  :

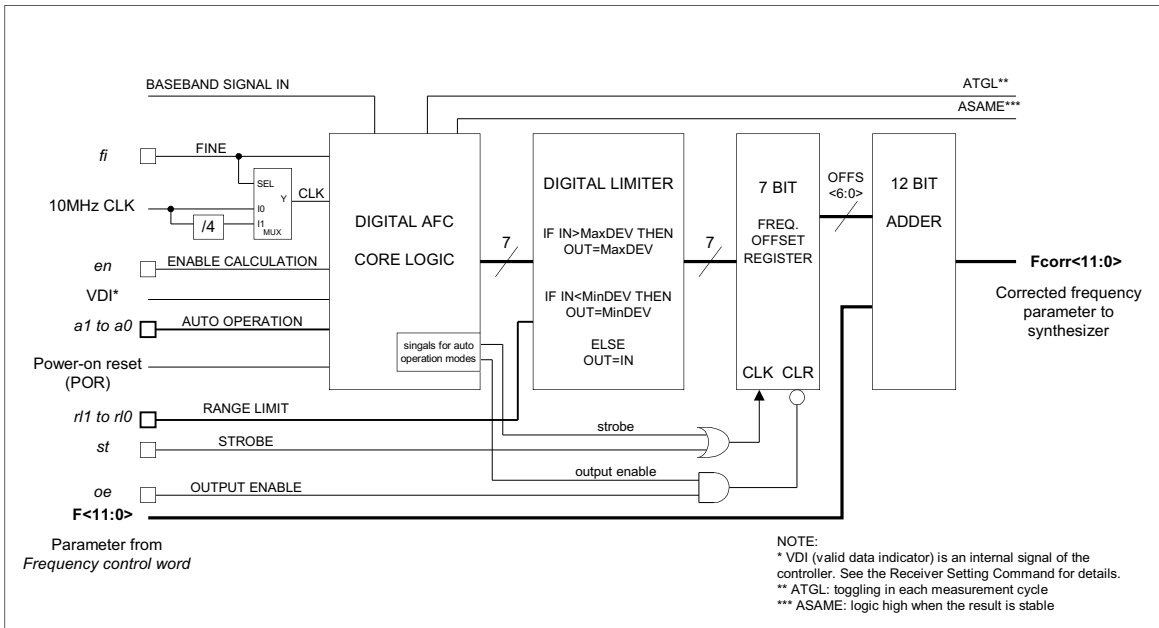
- 315, 433 MHz bands: 2.5 kHz
- 868 MHz band: 5 kHz
- 915 MHz band: 7.5 kHz

Bit 3 (*st*): Strobe edge, when *st* goes to high, the actual latest calculated frequency error is stored into the offset register of the AFC block.

Bit 2 (*fi*): Switches the circuit to high accuracy (fine) mode. In this case, the processing time is about twice longer, but the measurement uncertainty is about the half.

Bit 1 (*oe*): Enables the frequency offset register. It allows the addition of the offset register to the frequency control word of the PLL.

Bit 0 (*en*): Enables the calculation of the offset frequency by the AFC circuit.



**Note:** Lock bit is high when the AFC loop is locked, *f\_same* bit indicates when two subsequent measuring results are the same, *toggle* bit changes state in every measurement cycle.

In automatic operation mode (no strobe signal is needed from the microcontroller to update the output offset register) the AFC circuit is automatically enabled when the VDI indicates potential incoming signal during the whole measurement cycle and the circuit measures the same result in two subsequent cycles.

There are three operation modes, example from the possible application:

1, (*a1*=0, *a0*=1) The circuit measures the frequency offset only once after power up. In this way extended TX-RX maximum distance can be achieved.

Possible application:

In the final application, when the user inserts the battery, the circuit measures and compensates for the frequency offset caused by the crystal tolerances. This method allows for the use of a cheaper quartz in the application and provides protection against tracking an interferer.

2a, (*a1*=1, *a0*=0) The circuit automatically measures the frequency offset during an initial effective low data rate pattern –easier to receive- (i.e.: 00110011) of the package and changes the receiving frequency accordingly. The further part of the package can be received by the corrected frequency settings.

2b, (*a1*=1, *a0*=0) The transmitter must transmit the first part of the packet with a step higher deviation and later there is a possibility to reduce it.

In both cases (2a and 2b), when the VDI indicates poor receiving conditions (VDI goes low), the output register is automatically cleared. Use these settings when receiving signals from different transmitters transmitting in the same nominal frequencies.

3, (*a1*=1, *a0*=1) It's the same as 2a and 2b modes, but suggested to use when a receiver operates with only one transmitter. After a complete measuring cycle, the measured value is kept independently of the state of the VDI signal.

**10. TX Configuration Control Command**

|     |    |    |    |    |    |    |   |    |    |    |    |    |   |    |    |    |       |
|-----|----|----|----|----|----|----|---|----|----|----|----|----|---|----|----|----|-------|
| Bit | 15 | 14 | 13 | 12 | 11 | 10 | 9 | 8  | 7  | 6  | 5  | 4  | 3 | 2  | 1  | 0  | POR   |
|     | 1  | 0  | 0  | 1  | 1  | 0  | 0 | mp | m3 | m2 | m1 | m0 | 0 | p2 | p1 | p0 | 9800h |

Bits 8-4 (*mp*, *m3* to *m0*): FSK modulation parameters:

The resulting output frequency can be calculated as:

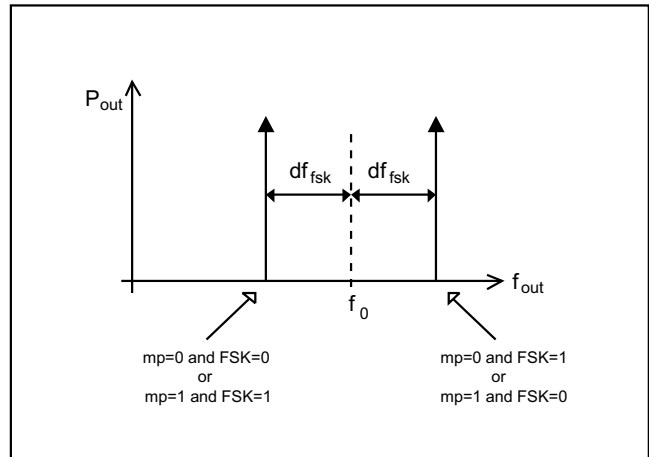
$$f_{out} = f_0 + (-1)^{SIGN} * (M + 1) * (15 \text{ kHz})$$

where:

- $f_0$  is the channel center frequency (see the *Frequency Setting Command*)
- $M$  is the four bit binary number  $\langle m3 : m0 \rangle$
- $SIGN = (mp) \text{ XOR } (FSK \text{ input})$

Bits 2-0 (*p2* to *p0*): Output power:

| p2 | p1 | p0 | Relative Output Power [dB] |
|----|----|----|----------------------------|
| 0  | 0  | 0  | 0                          |
| 0  | 0  | 1  | -3                         |
| 0  | 1  | 0  | -6                         |
| 0  | 1  | 1  | -9                         |
| 1  | 0  | 0  | -12                        |
| 1  | 0  | 1  | -15                        |
| 1  | 1  | 0  | -18                        |
| 1  | 1  | 1  | -21                        |



The output power given in the table is relative to the maximum available power, which depends on the actual antenna impedance. (See: Antenna Application Note: IA ISM-AN1)

### 11. Transmitter Register Write Command

| Bit | 15 | 14 | 13 | 12 | 11 | 10 | 9 | 8 | 7  | 6  | 5  | 4  | 3  | 2  | 1  | 0  | POR   |
|-----|----|----|----|----|----|----|---|---|----|----|----|----|----|----|----|----|-------|
|     | 1  | 0  | 1  | 1  | 1  | 0  | 0 | 0 | t7 | t6 | t5 | t4 | t3 | t2 | t1 | t0 | B8AAh |

With this command, the controller can write 8 bits (*t7* to *t0*) to the transmitter data register. Bit 7 (*el*) must be set in *Configuration Setting Command*.

### 12. Wake-Up Timer Command

| Bit | 15 | 14 | 13 | 12 | 11 | 10 | 9  | 8  | 7  | 6  | 5  | 4  | 3  | 2  | 1  | 0  | POR   |
|-----|----|----|----|----|----|----|----|----|----|----|----|----|----|----|----|----|-------|
|     | 1  | 1  | 1  | r4 | r3 | r2 | r1 | r0 | m7 | m6 | m5 | m4 | m3 | m2 | m1 | m0 | E196h |

The wake-up time period can be calculated by (*m7* to *m0*) and (*r4* to *r0*):

$$T_{wake-up} = M * 2^R \text{ [ms]}$$

**Note:**

- For continual operation the *el* bit should be cleared and set at the end of every cycle.
- For future compatibility, use  $R$  in a range of 0 and 29.

**13. Low Duty-Cycle Command**

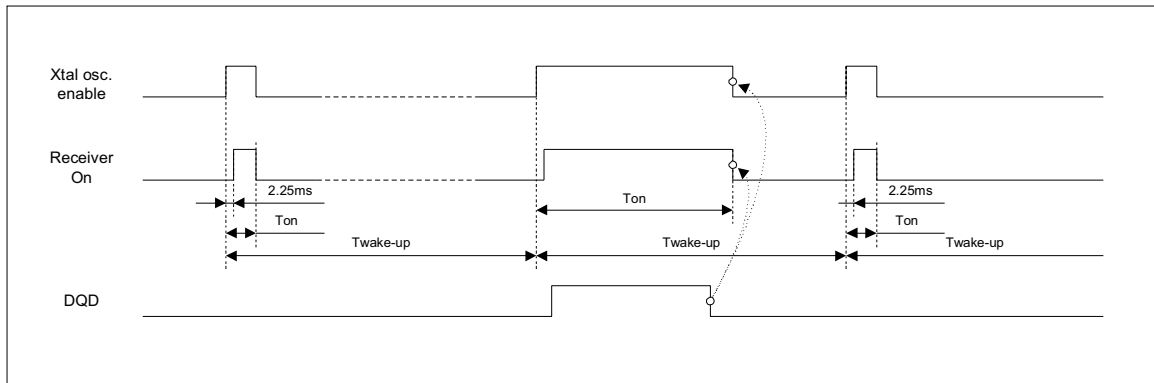
|     |    |    |    |    |    |    |   |   |    |    |    |    |    |    |    |    |       |
|-----|----|----|----|----|----|----|---|---|----|----|----|----|----|----|----|----|-------|
| Bit | 15 | 14 | 13 | 12 | 11 | 10 | 9 | 8 | 7  | 6  | 5  | 4  | 3  | 2  | 1  | 0  | POR   |
|     | 1  | 1  | 0  | 0  | 1  | 0  | 0 | 0 | d6 | d5 | d4 | d3 | d2 | d1 | d0 | en | C80Eh |

With this command, Low Duty-Cycle operation can be set in order to decrease the average power consumption in receiver mode.

The time cycle is determined by the *Wake-Up Timer Command*.

The Duty-Cycle can be calculated by using (d6 to d0) and M. (M is parameter in a *Wake-Up Timer Command*.)

$$\text{Duty-Cycle} = (D * 2 + 1) / M * 100\%$$



Bit 0 (en): Enables the Low Duty-Cycle Mode. Wake-up timer interrupt not generated in this mode.

**Note:** In this operation mode, bit er must be cleared and bit ew must be set in the *Power Management Command*.

**14. Low Battery Detector and Microcontroller Clock Divider Command**

|     |    |    |    |    |    |    |   |   |    |    |    |    |    |    |    |    |       |
|-----|----|----|----|----|----|----|---|---|----|----|----|----|----|----|----|----|-------|
| Bit | 15 | 14 | 13 | 12 | 11 | 10 | 9 | 8 | 7  | 6  | 5  | 4  | 3  | 2  | 1  | 0  | POR   |
|     | 1  | 1  | 0  | 0  | 0  | 0  | 0 | 0 | d2 | d1 | d0 | v4 | v3 | v2 | v1 | v0 | C000h |

The 5 bit parameter (v4 to v0) represents the value V, which defines the threshold voltage  $V_{lb}$  of the detector:

$$V_{lb} = 2.2 + V * 0.1 [V]$$

Clock divider configuration:

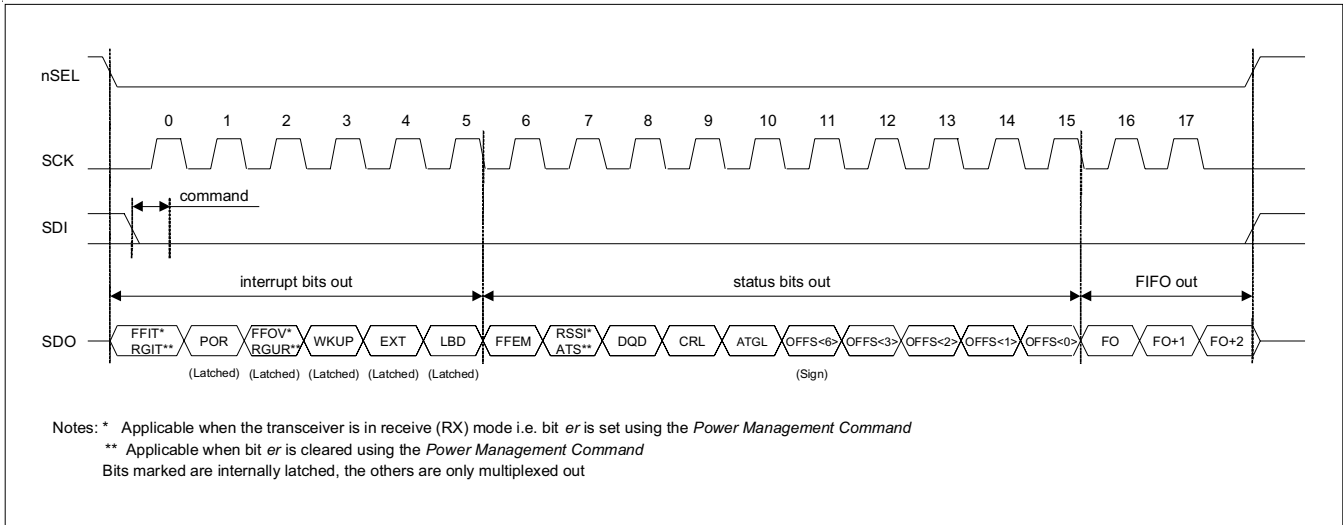
| d2 | d1 | d0 | Clock Output Frequency [MHz] |
|----|----|----|------------------------------|
| 0  | 0  | 0  | 1                            |
| 0  | 0  | 1  | 1.25                         |
| 0  | 1  | 0  | 1.66                         |
| 0  | 1  | 1  | 2                            |
| 1  | 0  | 0  | 2.5                          |
| 1  | 0  | 1  | 3.33                         |
| 1  | 1  | 0  | 5                            |
| 1  | 1  | 1  | 10                           |

The low battery detector and the clock output can be enabled or disabled by bits eb and dc, respectively, using the *Power Management Command*.

**15. Status Read Command**

The read command starts with a zero, whereas all other control commands start with a one. If a read command is identified, the status bits will be clocked out on the SDO pin as follows:

Status Register Read Sequence with FIFO Read Example:

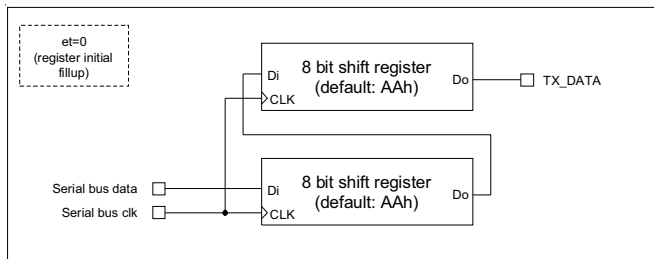


|                  |  |
|------------------|--|
| RGIT             | TX register is ready to receive the next byte (Can be cleared by <i>Transmitter Register Write Command</i> )                 |
| FFIT             | The number of data bits in the RX FIFO has reached the pre-programmed limit (Can be cleared by any of the FIFO read methods) |
| POR              | Power-on reset (Cleared after <i>Status Read Command</i> )   |
| RGUR             | TX register under run, register over write (Cleared after <i>Status Read Command</i> )                                       |
| FFOV             | RX FIFO overflow (Cleared after <i>Status Read Command</i> )   |
| WKUP             | Wake-up timer overflow (Cleared after <i>Status Read Command</i> )   |
| EXT              | Logic level on interrupt pin (pin 16) changed to low (Cleared after <i>Status Read Command</i> )                             |
| LBD              | Low battery detect, the power supply voltage is below the pre-programmed limit   |
| FFEM             | FIFO is empty  |
| ATS              | Antenna tuning circuit detected strong enough RF signal  |
| RSSI             | The strength of the incoming signal is above the pre-programmed limit  |
| DQD              | Data quality detector output   |
| CRL              | Clock recovery locked  |
| ATGL             | Toggling in each AFC cycle   |
| OFFS(6)          | MSB of the measured frequency offset (sign of the offset value)  |
| OFFS(3) -OFFS(0) | Offset value to be added to the value of the frequency control parameter (Four LSB bits)                                     |

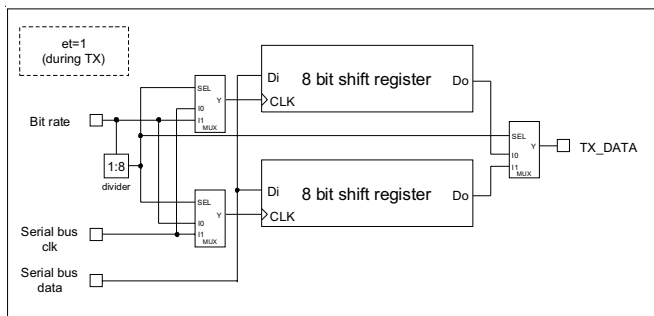
## TX REGISTER BUFFERED DATA TRANSMISSION

In this operating mode (enabled by bit *et*, the *Configuration Control Command*) the TX data is clocked into one of the two 8-bit data registers. The transmitter starts to send out the data from the first register (with the given bit rate) when bit *et* is set with the *Power Management Command*. The initial value of the data registers (AAh) can be used to generate preamble. During this mode, the SDO pin can be monitored to check whether the register is ready (SDO is high) to receive the next byte from the microcontroller.

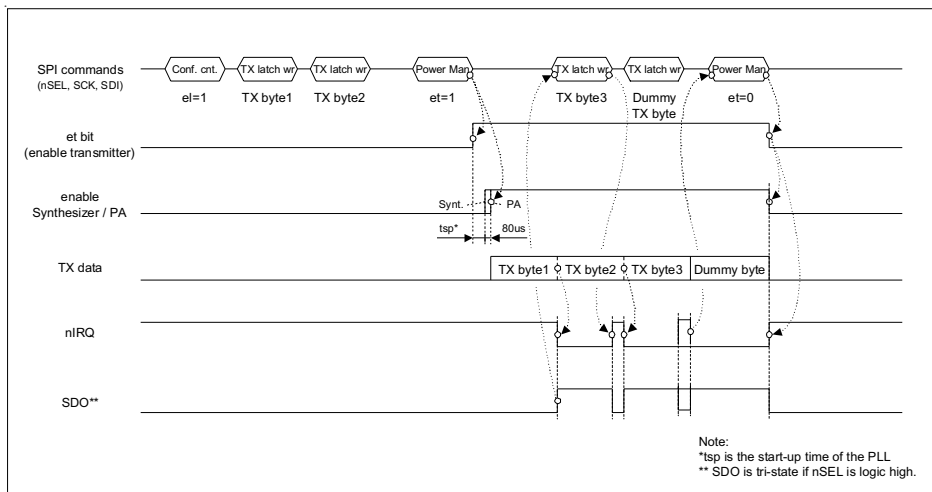
TX register simplified block diagram (before transmit)



TX register simplified block diagram (during transmit)



Typical TX register usage



**Note:** The content of the data registers are initialized by clearing bit *et*.

## RX FIFO BUFFERED DATA READ

In this operating mode, incoming data are clocked into a 16 bit FIFO buffer. The receiver starts to fill up the FIFO when the Valid Data Indicator (VDI) bit and the synchron pattern recognition circuit indicates potentially real incoming data. This prevents the FIFO from being filled with noise and overloading the external microcontroller.

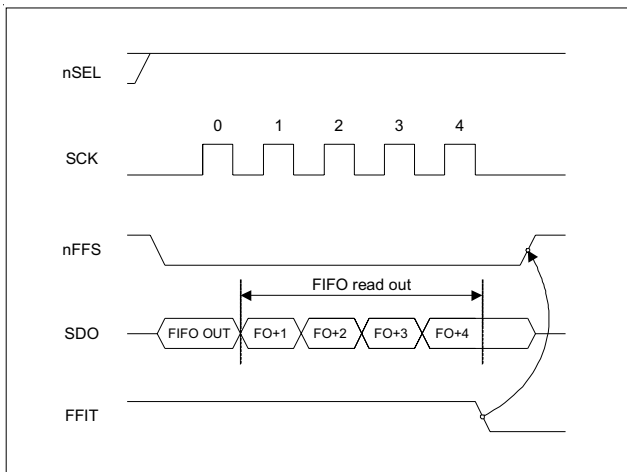
### Polling Mode:

The nFFS signal selects the buffer directly and its content can be clocked out through pin SDO by SCK. Set the FIFO IT level to 1. In this case, as long as FFIT indicates received bits in the FIFO, the controller may continue to take the bits away. When FFIT goes low, no more bits need to be taken. An SPI read command is also available.

### Interrupt Controlled Mode:

The user can define the FIFO level (the number of received bits) which will generate the nFFIT when exceeded. The status bits report the changed FIFO status in this case.

### FIFO Read Example with FFIT Polling



During FIFO access  $f_{SCK}$  cannot be higher than  $f_{ref}/4$ , where  $f_{ref}$  is the crystal oscillator frequency.



## CRYSTAL SELECTION GUIDELINES

The crystal oscillator of the IA4420 requires a 10 MHz parallel mode crystal. The circuit contains an integrated load capacitor in order to minimize the external component count. The internal load capacitance value is programmable from 8.5 pF to 16 pF in 0.5 pF steps. With appropriate PCB layout, the total load capacitance value can be 10 pF to 20 pF so a variety of crystal types can be used.

When the total load capacitance is not more than 20 pF and a worst case 7 pF shunt capacitance ( $C_0$ ) value is expected for the crystal, the oscillator is able to start up with any crystal having less than 300 ohms ESR (equivalent series loss resistance). However, lower  $C_0$  and ESR values guarantee faster oscillator startup.

The crystal frequency is used as the reference of the PLL, which generates the local oscillator frequency ( $f_{LO}$ ). Therefore  $f_{LO}$  is directly proportional to the crystal frequency. The accuracy requirements for production tolerance, temperature drift and aging can thus be determined from the maximum allowable local oscillator frequency error.

Whenever a low frequency error is essential for the application, it is possible to “pull” the crystal to the accurate frequency by changing the load capacitor value. The widest pulling range can be achieved if the nominal required load capacitance of the crystal is in the “midrange”, for example 16 pF. The “pull-ability” of the crystal is defined by its motional capacitance and  $C_0$ .

### Maximum XTAL Tolerances Including Temperature and Aging [ppm]

| Bit Rate: 2.4kbps | Deviation [+/- kHz] |    |    |     |     |     |     |
|-------------------|---------------------|----|----|-----|-----|-----|-----|
|                   | 30                  | 45 | 60 | 75  | 90  | 105 | 120 |
| 315 MHz           | 25                  | 50 | 75 | 100 | 100 | 100 | 100 |
| 433 MHz           | 20                  | 30 | 50 | 70  | 90  | 100 | 100 |
| 868 MHz           | 10                  | 20 | 25 | 30  | 40  | 50  | 60  |
| 915 MHz           | 10                  | 15 | 25 | 30  | 40  | 50  | 50  |

| Bit Rate: 9.6kbps | Deviation [+/- kHz] |    |    |    |     |     |     |
|-------------------|---------------------|----|----|----|-----|-----|-----|
|                   | 30                  | 45 | 60 | 75 | 90  | 105 | 120 |
| 315 MHz           | 20                  | 50 | 70 | 75 | 100 | 100 | 100 |
| 433 MHz           | 15                  | 30 | 50 | 70 | 80  | 100 | 100 |
| 868 MHz           | 8                   | 15 | 25 | 30 | 40  | 50  | 60  |
| 915 MHz           | 8                   | 15 | 25 | 30 | 40  | 50  | 50  |

| Bit Rate: 38.3kbps | Deviation [+/- kHz] |    |    |    |    |     |     |
|--------------------|---------------------|----|----|----|----|-----|-----|
|                    | 30                  | 45 | 60 | 75 | 90 | 105 | 120 |
| 315 MHz            | don't use           | 7  | 30 | 50 | 75 | 100 | 100 |
| 433 MHz            | don't use           | 5  | 20 | 30 | 50 | 75  | 75  |
| 868 MHz            | don't use           | 3  | 10 | 20 | 25 | 30  | 40  |
| 915 MHz            | don't use           | 3  | 10 | 15 | 25 | 30  | 40  |

## RX-TX ALIGNMENT PROCEDURES

RX-TX frequency offset can be caused only by the differences in the actual reference frequency. To minimize these errors it is suggested to use the same crystal type and the same PCB layout for the crystal placement on the RX and TX PCBs.

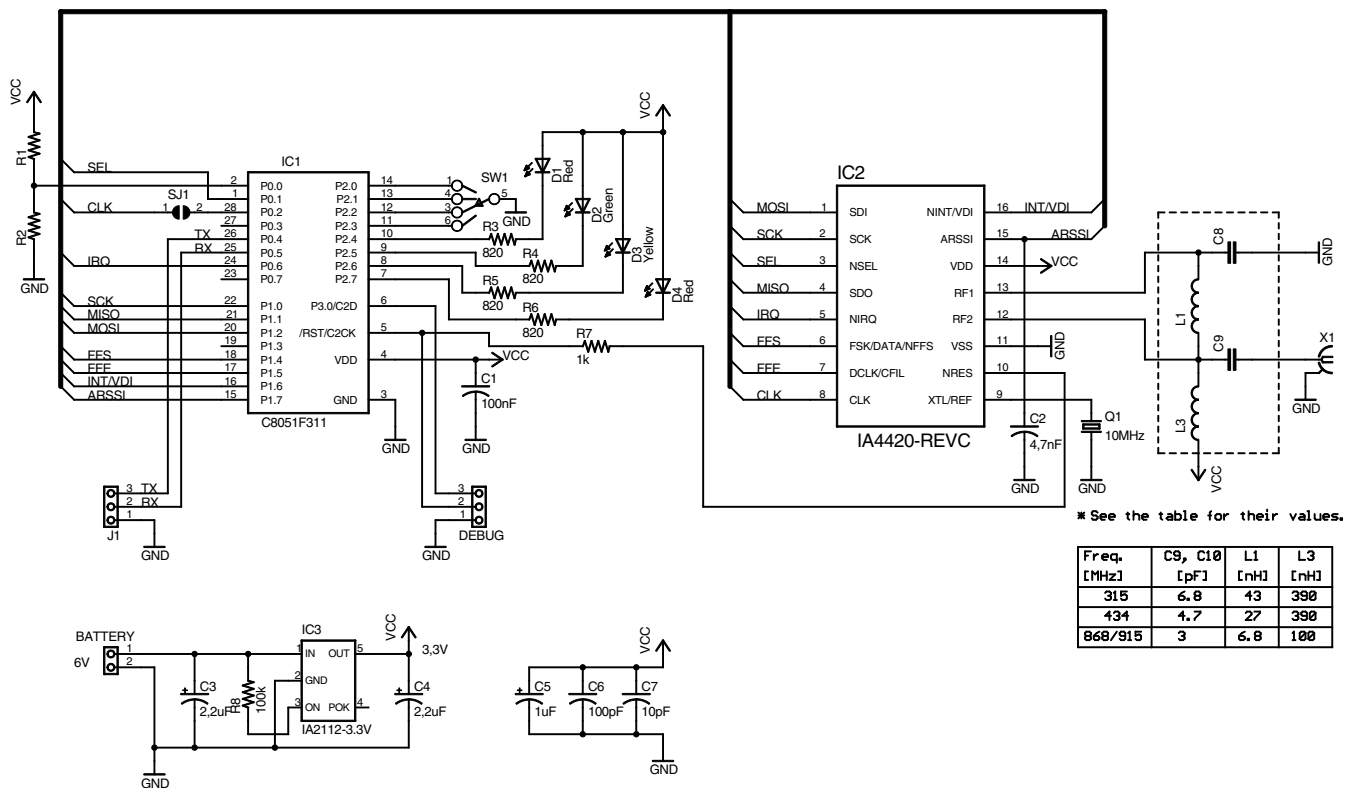
To verify the possible RX-TX offset it is suggested to measure the CLK output of both chips with a high level of accuracy. Do not measure the output at the XTL pin since the measurement process itself will change the reference frequency. Since the carrier frequencies are derived from the reference frequency, having identical reference frequencies and nominal frequency settings at the TX and RX side there should be no offset if the CLK signals have identical frequencies.

It is possible to monitor the actual RX-TX offset using the AFC status report included in the status byte of the receiver. By reading out the status byte from the receiver the actual measured offset frequency will be reported. In order to get accurate values the AFC has to be disabled during the read by clearing the "en" bit in the AFC Control Command (bit 0).

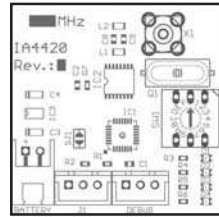
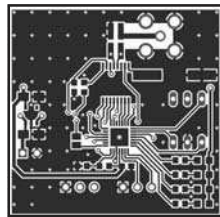
## TYPICAL APPLICATIONS

### REPEATER DEMO (915 MHZ)

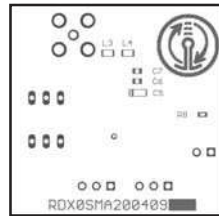
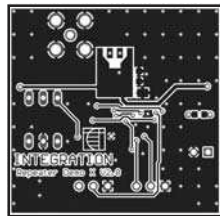
#### Schematics



PCB Layout



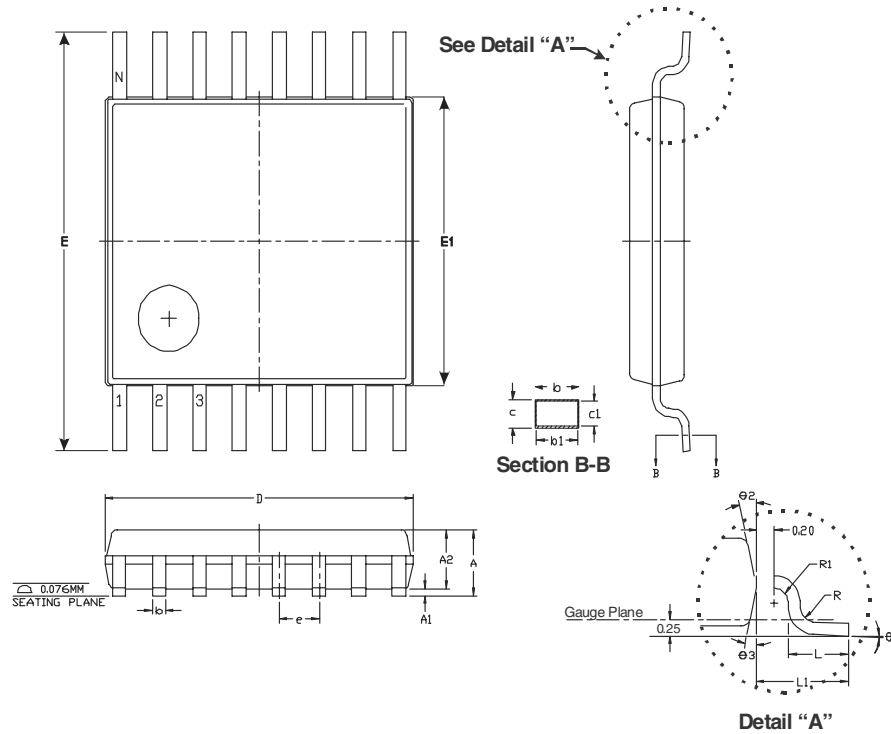
Top View



Bottom View

PACKAGE INFORMATION

16-pin TSSOP



| Symbol | Dimensions in mm |      |      | Dimensions in Inches |       |       |
|--------|------------------|------|------|----------------------|-------|-------|
|        | Min.             | Nom. | Max. | Min.                 | Nom.  | Max.  |
| A      |                  |      | 1,20 |                      |       | 0,047 |
| A1     | 0,05             |      | 0,15 | 0,002                |       | 0,006 |
| A2     | 0,80             | 0,90 | 1,05 | 0,031                | 0,035 | 0,041 |
| b      | 0,19             |      | 0,30 | 0,007                |       | 0,012 |
| b1     | 0,19             | 0,22 | 0,25 | 0,007                | 0,009 | 0,010 |
| c      | 0,09             |      | 0,20 | 0,004                |       | 0,008 |
| c1     | 0,09             |      | 0,16 | 0,004                |       | 0,006 |
| D      | 4,90             | 5,00 | 5,10 | 0,193                | 0,197 | 0,201 |
| e      | 0.65 BSC.        |      |      | 0.026 BSC.           |       |       |
| E      | 6.40 BSC.        |      |      | 0.252 BSC.           |       |       |
| E1     | 4,30             | 4,40 | 4,50 | 0,169                | 0,173 | 0,177 |
| L      | 0,50             | 0,60 | 0,75 | 0,020                | 0,024 | 0,030 |
| L1     | 1.00 REF.        |      |      | 0.39 REF.            |       |       |
| R      | 0,09             |      |      | 0,004                |       |       |
| R1     | 0,09             |      |      | 0,004                |       |       |
| θ1     | 0                |      | 8    | 0                    |       | 8     |
| θ2     | 12 REF.          |      |      | 12 REF.              |       |       |
| θ3     | 12 REF.          |      |      | 12 REF.              |       |       |

**RELATED PRODUCTS AND DOCUMENTS**

**IA 4420 Universal ISM Band FSK Transceiver**

| DESCRIPTION          | ORDERING NUMBER            |
|----------------------|----------------------------|
| IA 4420 16 pin TSSOP | IA 4420-IC CC16 Revision # |

**Demo Boards and Development Kits**

| DESCRIPTION       | ORDERING NUMBER |
|-------------------|-----------------|
| Development Kit   | IA ISM – DK     |
| ISM Repeater Demo | IA ISM – DARP   |

**Related Resources**

| DESCRIPTION                                    | ORDERING NUMBER   |
|--|---|
| Antenna Selection Guide                        | IA ISM – AN1  |
| Antenna Development Guide                      | IA ISM – AN2  |
| IA 4220/21 Universal ISM Band FSK Transmitters | see <a href="http://www.integration.com">http://www.integration.com</a> for details |
| IA 4320 Universal ISM Band FSK Receiver        | see <a href="http://www.integration.com">http://www.integration.com</a> for details |

**Note: Volume orders must include chip revision to be accepted.**

|   |  |
|---|--|
| <p>Integration Associates, Inc.<br/>         110 Pioneer Way, Unit L<br/>         Mountain View, California 94041<br/>         Tel: 650.969.4100<br/>         Fax: 650.969.4582<br/> <a href="http://www.integration.com">www.integration.com</a><br/> <a href="mailto:info@integration.com">info@integration.com</a><br/> <a href="mailto:techsupport@integration.com">techsupport@integration.com</a><br/>         P694</p> | <p>This document may contain preliminary information and is subject to change by Integration Associates, Inc. without notice. Integration Associates assumes no responsibility or liability for any use of the information contained herein. Nothing in this document shall operate as an express or implied license or indemnity under the intellectual property rights of Integration Associates or third parties. The products described in this document are not intended for use in implantation or other direct life support applications where malfunction may result in the direct physical harm or injury to persons. NO WARRANTIES OF ANY KIND, INCLUDING, BUT NOT LIMITED TO, THE IMPLIED WARRANTIES OF MECHANABILITY OR FITNESS FOR A PARTICULAR PURPOSE, ARE OFFERED IN THIS DOCUMENT.</p> <p><small>©2005, Integration Associates, Inc. All rights reserved. Integration Associates and EZRadio are trademarks of Integration Associates, Inc. All other trademarks belong to their respective owners.</small></p> |
|---|--|