

## 4 BIT SINGLE-CHIP MICROCONTROLLER

The  $\mu$ PD17P108 is a one-time PROM version of the  $\mu$ PD17108, in which the internal masked ROM of the  $\mu$ PD17108 is replaced with a one-time PROM that can be written to just once.

Since user programs can be written to the PROM, this microcontroller is suited for program evaluation and small-lot production of the  $\mu$ PD17108, or for program evaluation of the  $\mu$ PD17108L.

**When reading this document, refer to the publications on the  $\mu$ PD17108.**

### FEATURES

- 17K architecture : General registers
- Pin compatible with the  $\mu$ PD17108 (except for PROM programming function)
- Internal one-time PROM : 1K byte (512  $\times$  16 bits)
- Instruction execution time : 8  $\mu$ s (at fcc = 1 MHz, RC oscillation<sup>Note</sup>)
- Supply voltage :  $V_{DD} = 2.5$  to 6.0 V (fcc = 50 kHz to 250 kHz)  
 $V_{DD} = 4.5$  to 6.0 V (fcc = 50 kHz to 1 MHz)

**Note** The capacitor for RC oscillator is contained in the  $\mu$ PD17P108.

### APPLICATIONS

- Controlling electric appliances or toys
- Implementing circuitry consisting of general-purpose logic ICs, using a single chip

### ORDERING INFORMATION

Part number	Package
$\mu$ PD17P108CS	22-pin plastic shrink DIP (300 mil)
$\mu$ PD17P108GS	24-pin plastic SOP (300 mil)

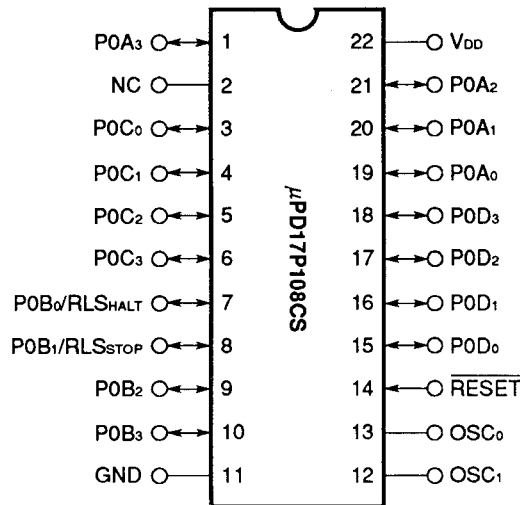
Each device has a different capacity of a built-in capacitor for system clock oscillation of the  $\mu$ PD17P108. This causes the frequency deviation within about 30% even though the connected resistors have the same value. Use the  $\mu$ PD17P104 (ceramic based oscillation) when the deviation is a critical problem.

The information in this document is subject to change without notice.

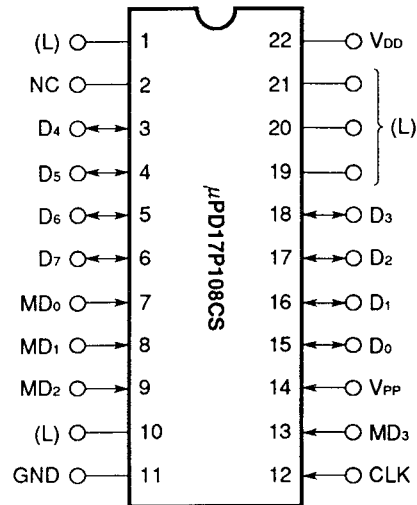
PIN CONFIGURATION (TOP VIEW)

22-pin plastic shrink DIP

(1) Normal operation mode



(2) PROM programming mode

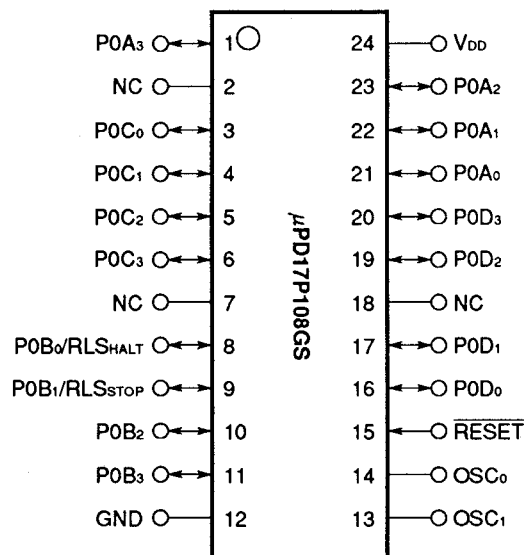


**Caution** The parentheses above indicate the level of the pins not used in PROM programming mode.

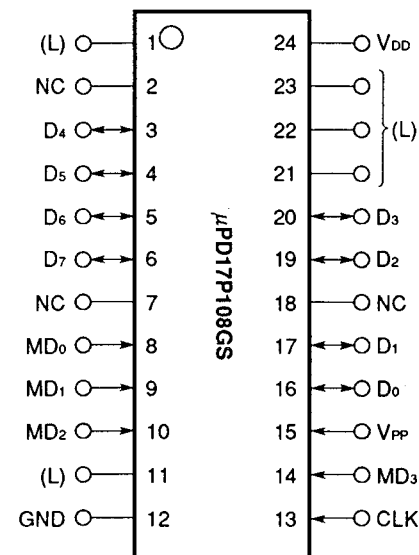
**L:** Connect each pin to ground through a pull-down resistor.

24-pin plastic SOP

(1) Normal operation mode



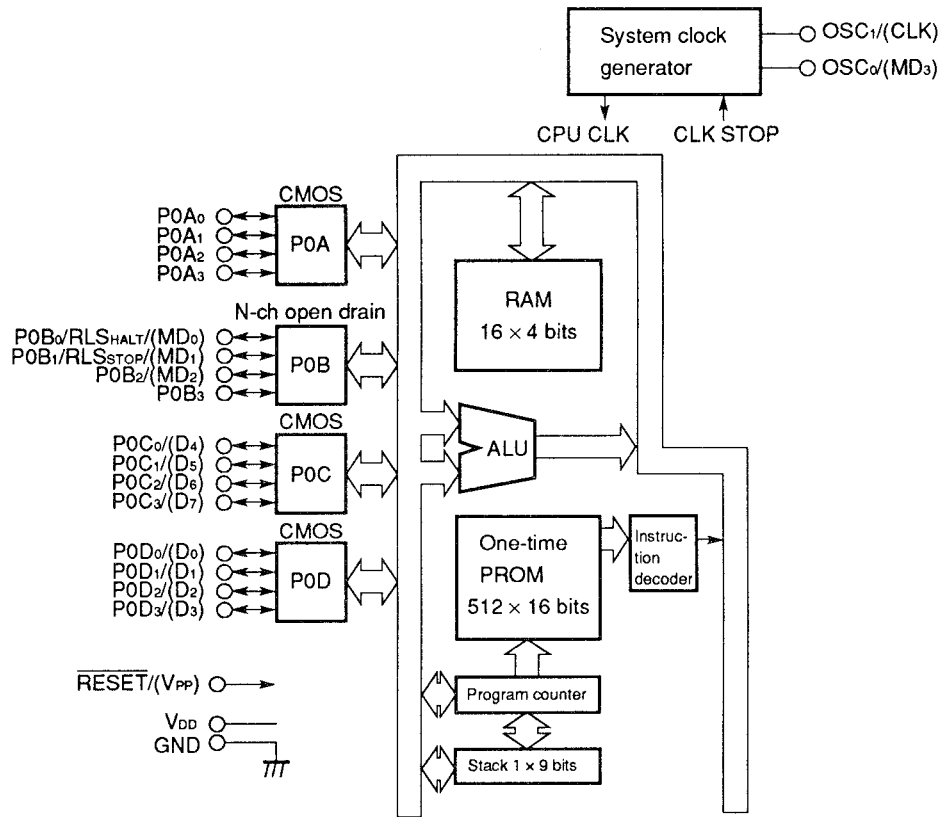
(2) PROM programming mode



**Caution** The parentheses above indicate the level of the pins not used in PROM programming mode.

**L:** Connect each pin to ground through a pull-down resistor.

BLOCK DIAGRAM



**Remark** Pin names enclosed in parentheses are used in PROM programming mode.

**CONTENTS**

<b>1. PINS .....</b>	<b>5</b>
<b>1.1 PIN FUNCTIONS .....</b>	<b>5</b>
<b>1.2 EQUIVALENT INPUT/OUTPUT CIRCUITS .....</b>	<b>6</b>
<b>1.3 HANDLING UNUSED PINS .....</b>	<b>8</b>
★ <b>1.4 NOTES ON USE OF THE <math>\overline{\text{RESET}}</math> PIN (FOR NORMAL OPERATION MODE ONLY) .....</b>	<b>8</b>
<b>2. DIFFERENCES BETWEEN THE μPD17P108, μPD17108, AND μPD17108L .....</b>	<b>9</b>
<b>3. WRITING TO AND VERIFYING ONE-TIME PROM (PROGRAM MEMORY) .....</b>	<b>10</b>
<b>3.1 PROGRAM MEMORY WRITE/VERIFY MODES .....</b>	<b>10</b>
<b>3.2 WRITING TO PROGRAM MEMORY .....</b>	<b>11</b>
<b>3.3 READING PROGRAM MEMORY .....</b>	<b>12</b>
<b>4. ELECTRICAL CHARACTERISTICS .....</b>	<b>13</b>
★ <b>5. CHARACTERISTIC CURVES (FOR REFERENCE) .....</b>	<b>19</b>
<b>6. PACKAGE DRAWINGS .....</b>	<b>21</b>
<b>7. RECOMMENDED SOLDERING CONDITIONS .....</b>	<b>23</b>
<b>APPENDIX A TINY MICROCONTROLLER FAMILY .....</b>	<b>24</b>
<b>APPENDIX B DEVELOPMENT TOOLS .....</b>	<b>25</b>

1. PINS

1.1 PIN FUNCTIONS

- Port pins

Pin <sup>Note</sup>	I/O	Function	PROM programming mode	Reset
P0A <sub>0</sub> - P0A <sub>3</sub>	I/O	CMOS (push-pull) 4-bit I/O port (port 0A)	Must be pulled down	High impedance (input mode)
P0B <sub>0</sub> /RLSHALT/(MD <sub>0</sub> )	I/O	For releasing HALT mode	Mode selection pin (MD <sub>0</sub> - MD <sub>2</sub> )	High impedance (input mode)
P0B <sub>1</sub> /RLSTOP/(MD <sub>1</sub> )		For releasing STOP mode		
P0B <sub>2</sub> (MD <sub>2</sub> )		<ul style="list-style-type: none"> <li>• N-ch open-drain 4-bit I/O port (port 0B)</li> <li>• Withstand voltage of 9 V</li> </ul>	Must be pulled down	
P0B <sub>3</sub>				
P0C <sub>0</sub> (D <sub>4</sub> ) - P0C <sub>3</sub> (D <sub>7</sub> )	I/O	CMOS (push-pull) 4-bit I/O port (port 0C)	8-bit data I/O pin (D <sub>4</sub> - D <sub>7</sub> )	High impedance (input mode)
P0D <sub>0</sub> (D <sub>0</sub> ) - P0D <sub>3</sub> (D <sub>3</sub> )		CMOS (push-pull) 4-bit I/O port (port 0D)	8-bit data I/O pin (D <sub>0</sub> - D <sub>3</sub> )	High impedance (input mode)

- Non-port pins

Pin <sup>Note</sup>	I/O	Function	PROM programming mode
RESET/(V <sub>PP</sub> )	Input	System reset input pin	+12.5 V is applied to this pin (V <sub>PP</sub> ).
V <sub>DD</sub>	–	Power supply pin	Power supply pin (V <sub>DD</sub> ). +6 V is applied to this pin.
GND	–	GND pin	GND pin
OSC <sub>1</sub> /(CLK)	–	Pins for system clock generation	Program memory address update (CLK)
OSC <sub>0</sub> /(MD <sub>3</sub> )	–		Mode selection pin (MD <sub>3</sub> )
NC	–	This pin is not internally connected.	

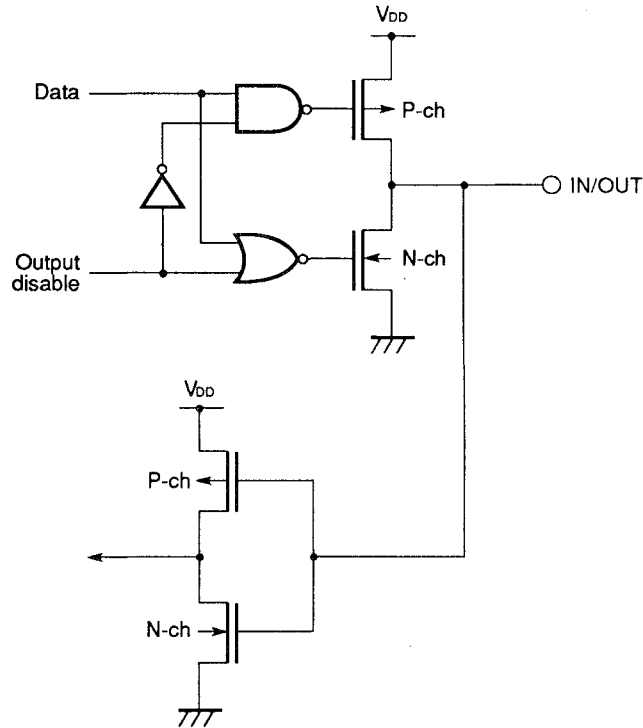
I/O: Input/output

**Note** Pin names enclosed in parentheses are used in PROM programming mode.

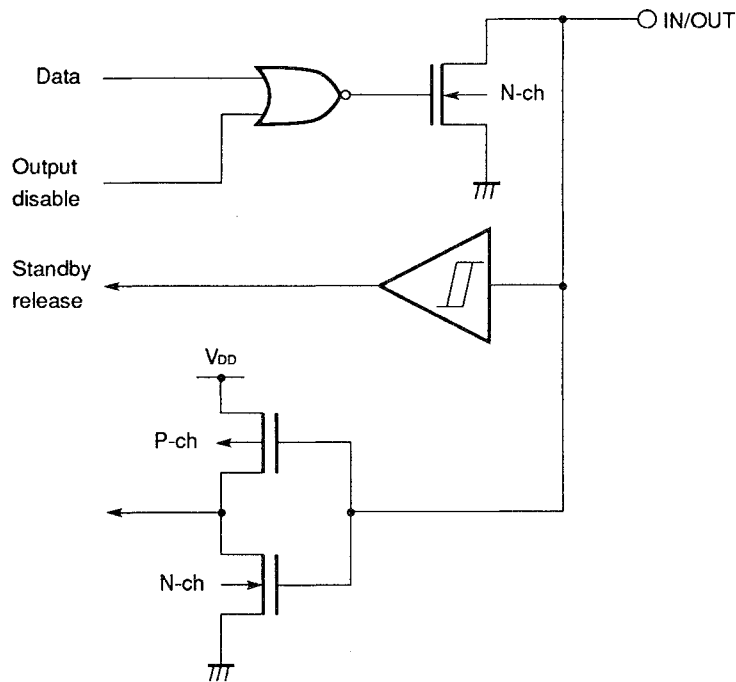
1.2 EQUIVALENT INPUT/OUTPUT CIRCUITS

Below are simplified diagrams of the equivalent input/output circuits.

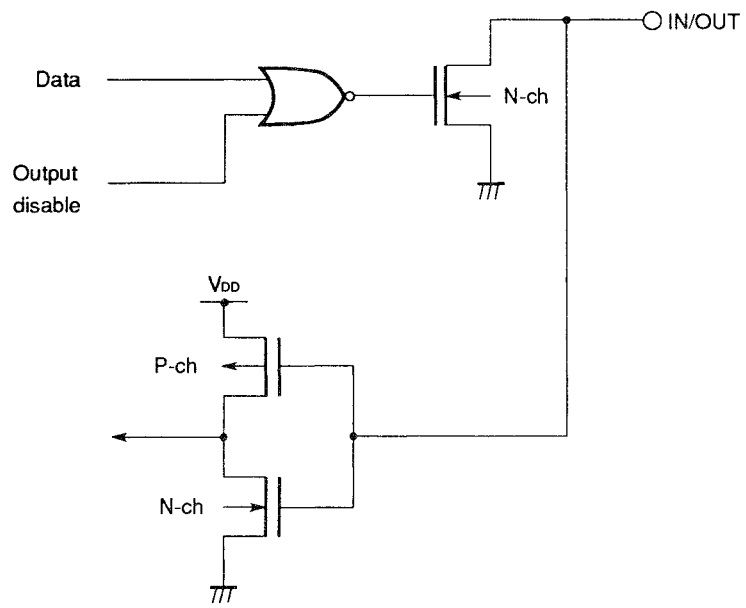
(1) P0A, P0C, and P0D



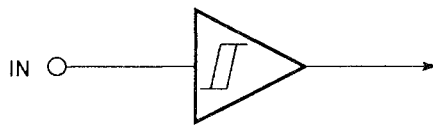
(2) P0B0 and P0B1



(3) P0B<sub>2</sub> and P0B<sub>3</sub>



(4)  $\overline{\text{RESET}}$



1.3 HANDLING UNUSED PINS

In normal operation mode, connect unused pins as follows:

★

Table 1-1 Handling Unused Pins

Pin			Recommended conditions and handling	
			Internal	External
Port	Input mode	P0A, P0B, P0C, P0D	–	Connect to V <sub>DD</sub> or ground through resistors for each pin. <b>Note</b>
	Output mode	P0A, P0C, P0D (CMOS ports)	–	Leave open.
		P0B (N-ch open-drain port)	Outputs low level.	Leave open.

**Note** When a pin is pulled up to V<sub>DD</sub> (connected to V<sub>DD</sub> through a resistor) or pulled down to ground (connected to ground through a resistor) outside the chip, take the driving capacity and maximum current consumption of a port into consideration. When using high-resistance pull-up or pull-down resistors, apply appropriate countermeasures to ensure that noise is not attracted by the resistors. Although the optimum pull-up or pull-down resistor varies with the application circuit, in general, a resistor of 10 to 100 kilohms is suitable.

**Caution** To fix the output level of a pin, it is recommended that it should be specified repeatedly within a loop in a program.

★

1.4 NOTES ON USE OF THE  $\overline{\text{RESET}}$  PIN (FOR NORMAL OPERATION MODE ONLY)

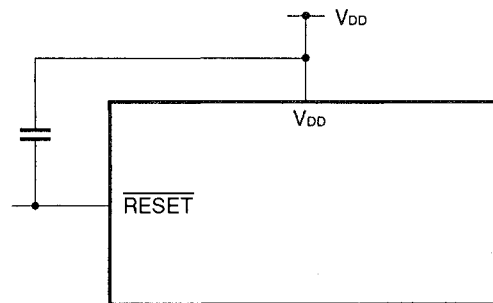
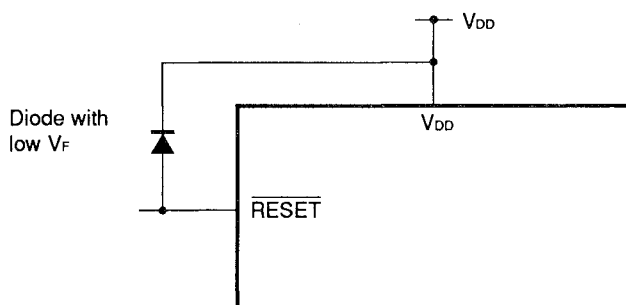
The  $\overline{\text{RESET}}$  pin has the test mode selecting function for testing the internal operation of the μPD17P108 (IC test), besides the functions shown in Section 1.1.

Applying a voltage exceeding V<sub>DD</sub> to the  $\overline{\text{RESET}}$  pin causes the μPD17P108 to enter the test mode. When noise exceeding V<sub>DD</sub> comes in during normal operation, the device is switched to the test mode.

For example, if the wiring from the  $\overline{\text{RESET}}$  pin is too long, noise may be induced on the wiring, causing this mode switching.

When installing the wiring, lay the wiring in such a way that noise is suppressed as much as possible. If noise yet arises, use an external part to suppress it as shown below.

- Connect a diode with low V<sub>F</sub> between the pin and V<sub>DD</sub>.
- Connect a capacitor between the pin and V<sub>DD</sub>.





2. DIFFERENCES BETWEEN THE μPD17P108, μPD17108, AND μPD17108L

The μPD17P108 is a one-time PROM version of the μPD17108, in which the internal masked ROM is replaced with a one-time PROM.

Table 2-1 lists the differences between the μPD17P108, μPD17108, and μPD17108L.

The μPD17P108 has the same CPU functions and internal peripheral hardwares as those of μPD17108 and μPD17108L except for its program memory, mask option, oscillation settling time, and supply voltage range.

Part of electrical characteristics is also different between these products. For details of the electrical characteristics, refer to the data sheet of each product.

Table 2-1 Differences between the μPD17P108, μPD17108, and μPD17108L

Item	μPD17P108	μPD17108	μPD17108L
ROM	One-time PROM 512 × 16 bits (0000H - 01FFH)	Masked ROM	
Internal pull-up resistors of P0B <sub>0</sub> to P0B <sub>3</sub> pins	Not provided	Mask option	
Internal pull-up resistors of the RESET pin			
V <sub>PP</sub> and operation mode selection pins	Provided	Not provided	
Oscillation settling time	16/fcc	8/fcc	
Supply voltage	V <sub>DD</sub> = 2.5 to 6.0 V (at fcc = 50 kHz to 250 kHz) V <sub>DD</sub> = 4.5 to 6.0 V (at fcc = 50 kHz to 1 MHz)		V <sub>DD</sub> = 1.5 to 3.6 V (at fcc = 50 kHz to 250 kHz)
Quality grade	Standard	• Standard (μPD17108)	• Standard (μPD17108L)
Electrical characteristics	Partially differs between these products. Refer to the data sheet of each product for details.		

- Cautions 1.** Although a PROM product is highly compatible with a masked ROM product in respect of functions, they differ in internal ROM circuits and part of electrical characteristics. Before changing the PROM product to the masked ROM product in an application system, evaluate the system carefully using the masked ROM product. ★
- 2.** When the supply voltage and the resistance of a resistor mounted externally are the same, the oscillation frequency of the μPD17P108 is about 10% lower than that of the μPD17108 or μPD17108L. Therefore, when the μPD17108 or μPD17108L is used instead of the μPD17P108, change the resistor externally mounted appropriately.

### 3. WRITING TO AND VERIFYING ONE-TIME PROM (PROGRAM MEMORY)

The μPD17P108's internal program memory consists of a 512 × 16 bit one-time PROM.

Writing to the one-time PROM or verifying the contents of the PROM is accomplished using the pins shown in Table 3-1. Note that address inputs are not used; instead, the address is updated using the clock input from the CLK pin.

**Table 3-1 Pins Used When Writing to Program Memory or Verifying Its Contents**

Pin	Function
V <sub>PP</sub>	Voltage (+12.5 V) is applied to this pin when writing to program memory or verifying its contents.
★ V <sub>DD</sub>	Power supply pin. +6 V is applied to this pin when writing to program memory or verifying its contents.
★ $\overline{\text{RESET}}$	System reset input pin. Apply the specific signal to this pin to initialize the conditions of the microcontroller before switching to the program memory write/verify mode.
CLK	Input pin for address update clocks used when writing to program memory or verifying its contents. Input of four pulses to this pin updates the address of the program memory.
MD <sub>0</sub> - MD <sub>3</sub>	Input pins that select an operation mode when writing to program memory or verifying its contents
D <sub>0</sub> - D <sub>7</sub>	Input/output pins for 8-bit data used when writing to program memory or verifying its contents

#### 3.1 PROGRAM MEMORY WRITE/VERIFY MODES

If +6 V is applied to the V<sub>DD</sub> pin and +12.5 V is applied to the V<sub>PP</sub> pin after a certain duration of reset status (V<sub>DD</sub> = 5 V,  $\overline{\text{RESET}}$  = 0 V), the μPD17P108 enters program memory write/verify mode. A specific operating mode is then selected by setting the MD<sub>0</sub> through MD<sub>3</sub> pins as follows. Connect each pin not listed in Table 3-1 to ground through a pull-down resistor.

**Table 3-2 Specification of Operating Modes**

Operating mode specification						Operating mode
V <sub>PP</sub>	V <sub>DD</sub>	MD <sub>0</sub>	MD <sub>1</sub>	MD <sub>2</sub>	MD <sub>3</sub>	
+12.5 V	+6 V	H	L	H	L	Program memory address clear mode
		L	H	H	H	Write mode
		L	L	H	H	Verify mode
		H	×	H	H	Program inhibit mode

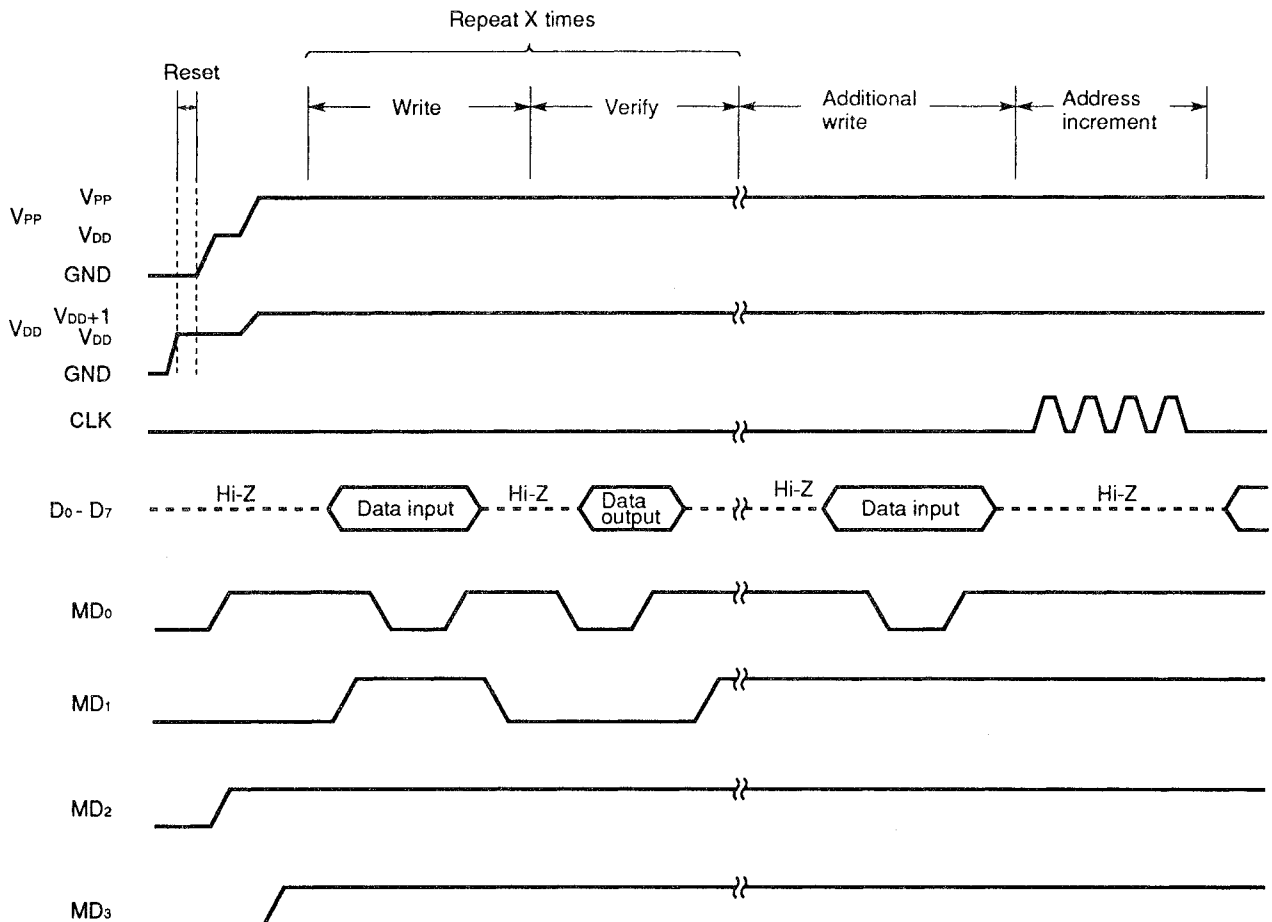
×: Don't care. L (low) or H (high)

### 3.2 WRITING TO PROGRAM MEMORY

The procedure for writing to program memory is described below; high-speed write is possible.

- (1) Pull down the levels of all unused pins to GND by means of resistors. Bring the CLK pin to low level.
- (2) Apply 5 V to the V<sub>DD</sub> pin and bring the V<sub>PP</sub> pin to low level.
- (3) Wait 10 μs. Then apply 5 V to the V<sub>PP</sub> pin.
- (4) Set the mode selection pins to program memory address clear mode.
- (5) Apply 6 V to the V<sub>DD</sub> pin and 12.5 V to the V<sub>PP</sub> pin.
- (6) Select program inhibit mode.
- (7) Write data in 1-ms write mode.
- (8) Select program inhibit mode.
- (9) Select verify mode. If the write operation is found successful, proceed to step (10). If the operation is found unsuccessful, repeat steps (7) to (9).
- (10) Perform additional write for X (number of repetitions of steps (7) to (9)) × 1 ms.
- (11) Select program inhibit mode.
- (12) Increment the program memory address by one on reception of four pulses on the CLK pin.
- (13) Repeat steps (7) to (12) until the last address is reached.
- (14) Select program memory address clear mode.
- (15) Apply 5 V to the V<sub>DD</sub> and V<sub>PP</sub> pins.
- (16) Turn power off.

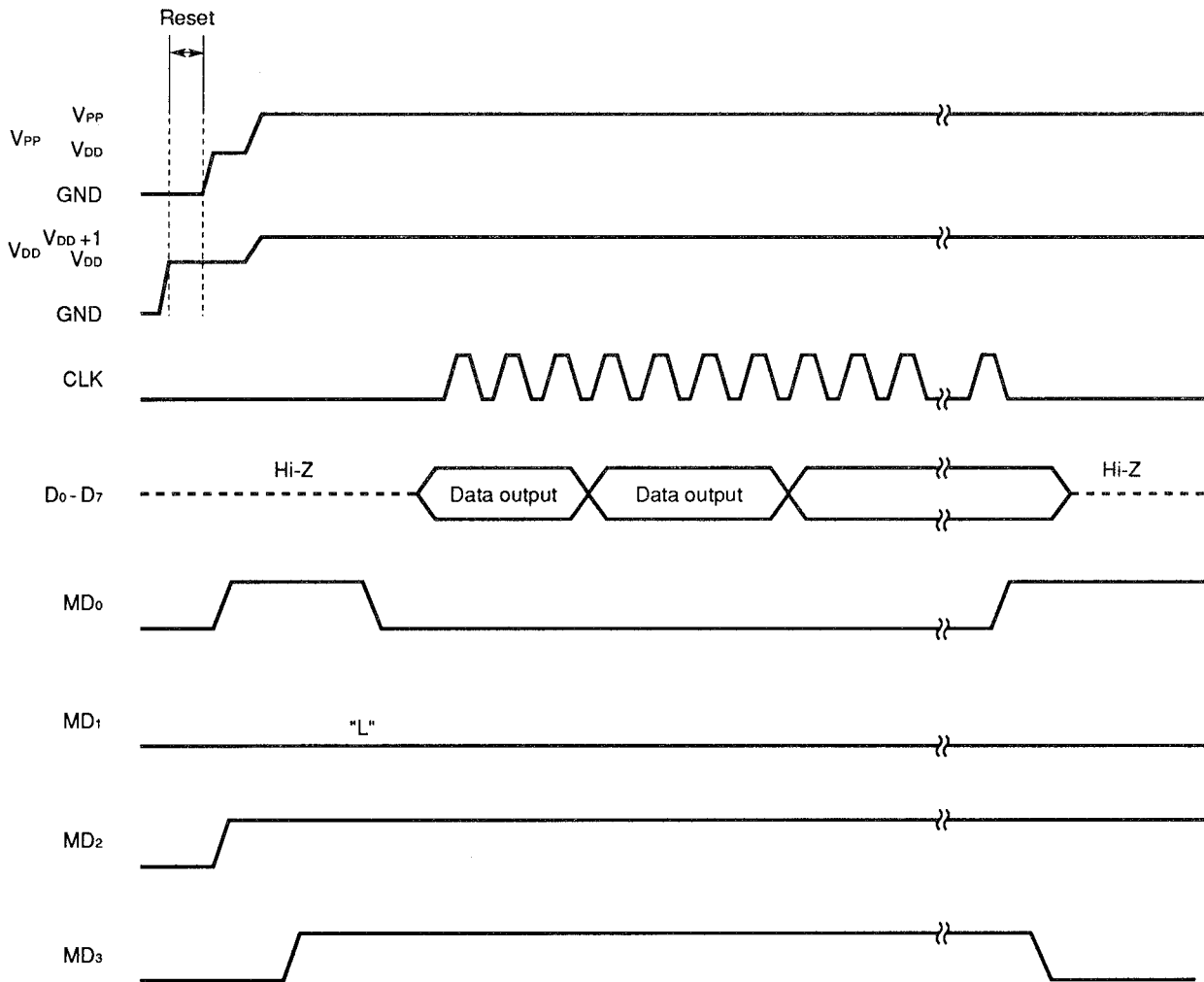
A timing chart for program memory writing steps (2) to (12) is shown below.



3.3 READING PROGRAM MEMORY

- (1) Pull down the levels of all unused pins to GND by means of resistors. Bring the CLK pin to low level.
- (2) Apply 5 V to the V<sub>DD</sub> pin and bring the V<sub>PP</sub> pin to low level.
- (3) Wait 10 μs. Then apply 5 V to the V<sub>PP</sub> pin.
- (4) Set the mode selection pins to program memory address clear mode.
- (5) Apply 6 V to the V<sub>DD</sub> pin and 12.5 V to the V<sub>PP</sub> pin.
- (6) Select program inhibit mode.
- (7) Select verify mode. Data is output sequentially one address at a time for every four input clock pulses on the CLK pin.
- (8) Select program inhibit mode.
- (9) Select program memory address clear mode.
- (10) Apply 5 V to the V<sub>DD</sub> and V<sub>PP</sub> pins.
- (11) Turn power off.

A timing chart for program memory reading steps (2) to (9) is shown below.



4. ELECTRICAL CHARACTERISTICS

ABSOLUTE MAXIMUM RATINGS (T<sub>A</sub> = 25 °C)

Parameter	Symbol	Conditions	Rated value	Unit	
Supply voltage	V <sub>DD</sub>		-0.3 to +7.0	V	
PROM supply voltage	V <sub>PP</sub>		-0.3 to +13.5	V	
Input voltage	V <sub>I</sub>	P0A, P0C, P0D, $\overline{\text{RESET}}$	-0.3 to V <sub>DD</sub> + 0.3	V	
		P0B	-0.3 to +11	V	
Output voltage	V <sub>O</sub>	P0A, P0C, P0D	-0.3 to V <sub>DD</sub> + 0.3	V	
		P0B	-0.3 to +11	V	
High-level output current	I <sub>OH</sub>	Each of P0A, P0C, and P0D	-5	mA	
		Total of all output pins	-15	mA	
Low-level output current	I <sub>OL</sub>	Each of P0A, P0B, P0C, and P0D	30	mA	
		Total of all output pins	100	mA	
Operating ambient temperature	T <sub>A</sub>		-40 to +85	°C	
Storage temperature	T <sub>stg</sub>		-65 to +150	°C	
Allowable dissipation	P <sub>d</sub>	T <sub>A</sub> = 85 °C	22-pin plastic shrink DIP	400	mW
			24-pin plastic SOP	250	

**Caution** Absolute maximum ratings are rated values beyond which some physical damages may be caused to the product; if any of the parameters in the table above exceeds its rated value even for a moment, the quality of the product may deteriorate. Be sure to use the product within the rated values.

CAPACITANCE (T<sub>A</sub> = 25 °C, V<sub>DD</sub> = 0 V)

Parameter	Symbol	Conditions	Min.	Typ.	Max.	Unit
Input capacitance	C <sub>IN</sub>	f = 1 MHz			15	pF
I/O capacitance	C <sub>IO</sub>	0 V for pins other than pins to be measured			15	pF

I/O: Input/output

DC CHARACTERISTICS (T<sub>A</sub> = -40 to +85 °C, V<sub>DD</sub> = 2.5 to 6.0 V)

Parameter	Symbol	Conditions		Min.	Typ.	Max.	Unit
High-level input voltage	V <sub>IH1</sub>	P0A, P0C, P0D		0.7V <sub>DD</sub>		V <sub>DD</sub>	V
	V <sub>IH2</sub>	RESET		0.8V <sub>DD</sub>		V <sub>DD</sub>	V
	V <sub>IH3</sub>	P0B		0.8V <sub>DD</sub>		9	V
Low-level input voltage	V <sub>IL1</sub>	P0A, P0C, P0D		0		0.3V <sub>DD</sub>	V
	V <sub>IL2</sub>	RESET		0		0.2V <sub>DD</sub>	V
	V <sub>IL3</sub>	P0B		0		0.2V <sub>DD</sub>	V
High-level output voltage	V <sub>OH</sub>	P0A, P0C, P0D V <sub>DD</sub> = 4.5 to 6.0 V, I <sub>OH</sub> = -2 mA		V <sub>DD</sub> - 2.0			V
		P0A, P0C, P0D, I <sub>OH</sub> = -200 μA		V <sub>DD</sub> - 1.0			V
Low-level output voltage	V <sub>OL</sub>	P0A, P0B, P0C, P0D V <sub>DD</sub> = 4.5 to 6.0 V, I <sub>OL</sub> = 15 mA				2.0	V
		P0A, P0B, P0C, P0D, I <sub>OL</sub> = 600 μA				0.5	V
High-level input leakage current	I <sub>LIH1</sub>	P0A, P0C, P0D, V <sub>IN</sub> = V <sub>DD</sub>				5	μA
	I <sub>LIH2</sub>	P0B, V <sub>IN</sub> = V <sub>DD</sub>				5	μA
	I <sub>LIH3</sub>	P0B, V <sub>IN</sub> = 9 V				10	μA
Low-level input leakage current	I <sub>LIL1</sub>	P0A, P0C, P0D, V <sub>IN</sub> = 0 V				-5	μA
	I <sub>LIL2</sub>	P0B, V <sub>IN</sub> = 0 V				-5	μA
High-level output leakage current	I <sub>LOH1</sub>	P0A, P0C, P0D, V <sub>OUT</sub> = V <sub>DD</sub>				5	μA
	I <sub>LOH2</sub>	P0B, V <sub>OUT</sub> = V <sub>DD</sub>				5	μA
	I <sub>LOH3</sub>	P0B, V <sub>OUT</sub> = 9 V				10	μA
Low-level output leakage current	I <sub>LOL</sub>	P0A, P0B, P0C, P0D, V <sub>OUT</sub> = 0 V				-5	μA
Power supply current	I <sub>DD1</sub>	Operation mode	V <sub>DD</sub> = 5 V ±10 %, f <sub>CC</sub> = 1.0 MHz ±20 %		1.5	3.0	mA
			V <sub>DD</sub> = 3 V ±10 %, f <sub>CC</sub> = 250 kHz ±20 %		500	900	μA
	I <sub>DD2</sub>	HALT mode	V <sub>DD</sub> = 5 V ±10 %, f <sub>CC</sub> = 1.0 MHz ±20 %		1.3	2.5	mA
			V <sub>DD</sub> = 3 V ±10 %, f <sub>CC</sub> = 250 kHz ±20 %		350	800	μA
	I <sub>DD3</sub>	STOP mode	V <sub>DD</sub> = 5 V ±10 %		10	50	μA
			V <sub>DD</sub> = 3 V ±10 %		8	45	μA

**CHARACTERISTICS OF DATA MEMORY FOR HOLDING DATA ON LOW SUPPLY VOLTAGE IN THE STOP MODE (T<sub>A</sub> = -40 to +85 °C)**

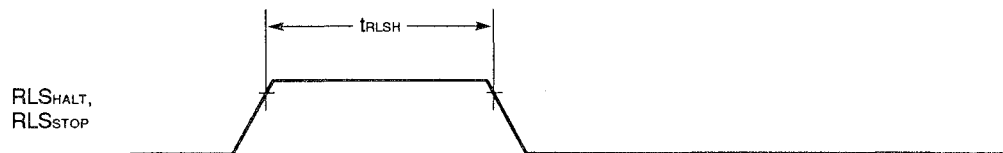
Parameter	Symbol	Conditions	Min.	Typ.	Max.	Unit
Data hold supply voltage	V <sub>DDDR</sub>		2.0		6.0	V
Data hold supply current	I <sub>DDDR</sub>	V <sub>DDDR</sub> = 2.0 V		0.1	5.0	μA

**AC CHARACTERISTICS (T<sub>A</sub> = -40 to +85 °C, V<sub>DD</sub> = 2.5 to 6.0 V)**

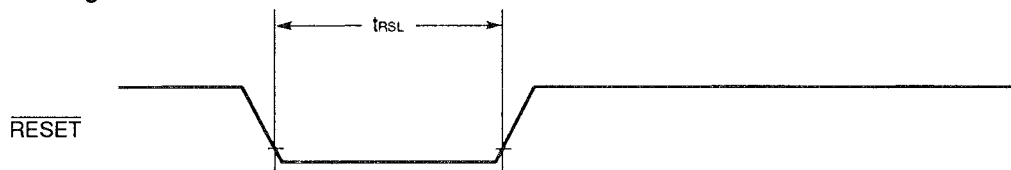
Parameter	Symbol	Conditions	Min.	Typ.	Max.	Unit
CPU clock cycle time (instruction execution time)	t <sub>cy</sub>	V <sub>DD</sub> = 4.5 to 6.0 V	6.6		160	μs
			22.8		160	μs
RLSHALT, RLSSTOP high level width	t <sub>RLSH</sub>		10			μs
RESET low level width	t <sub>RSL</sub>		10			μs

**Remark** t<sub>cy</sub> = 8/fcc (fcc: frequency of system clock oscillator)

**RLSHALT and RLSSTOP input timing**



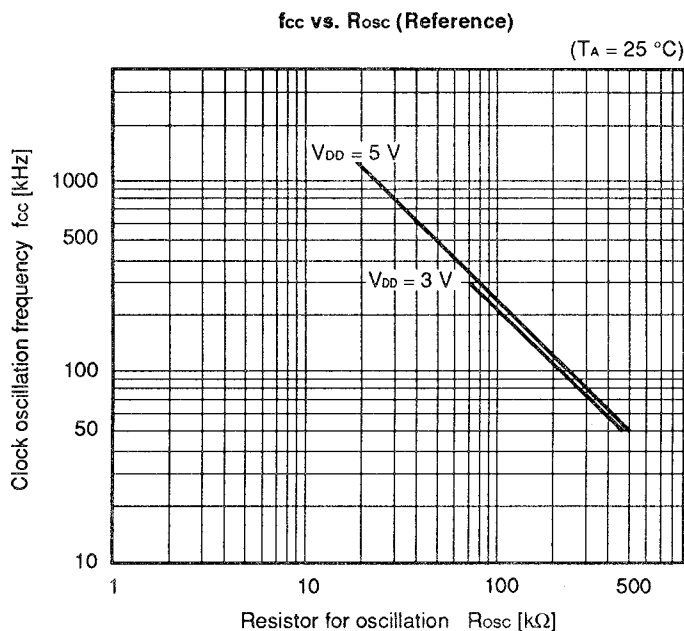
**RESET input timing**



**SYSTEM CLOCK OSCILLATOR CHARACTERISTICS** ( $T_A = -40$  to  $+85$  °C)

Parameter	Symbol	Conditions	Min.	Typ.	Max.	Unit
System clock oscillation frequency	$f_{cc}$	$V_{DD} = 4.5$ to $5.5$ V, $R_{osc} = 22$ kΩ	800	1000	1200	kHz
		$V_{DD} = 2.7$ to $3.3$ V, $R_{osc} = 91$ kΩ	200	250	300	kHz
		$V_{DD} = 2.5$ to $6.0$ V, $R_{osc} = 91$ kΩ	150	250	350	kHz

**Caution** The above conditions do not allow a resistance error.



**DC PROGRAMMING CHARACTERISTICS** ( $T_A = 25$  °C,  $V_{DD} = 6.0 \pm 0.25$  V,  $V_{PP} = 12.5 \pm 0.5$  V)

Parameter	Symbol	Conditions	Min.	Typ.	Max.	Unit
Input voltage high	$V_{IH1}$	Except OSC <sub>1</sub>	$0.7V_{DD}$		$V_{DD}$	V
	$V_{IH2}$	OSC <sub>1</sub>	$V_{DD} - 0.5$		$V_{DD}$	V
Input voltage low	$V_{IL1}$	Except OSC <sub>1</sub>	0		$0.3V_{DD}$	V
	$V_{IL2}$	OSC <sub>1</sub>	0		0.4	V
Input leakage current	$I_{LI}$	$V_{IN} = V_{IL}$ or $V_{IH}$			10	μA
Output voltage high	$V_{OH}$	$I_{OH} = -1$ mA	$V_{DD} - 1.0$			V
Output voltage low	$V_{OL}$	$I_{OL} = 1.6$ mA			0.4	V
$V_{DD}$ power supply current	$I_{DD}$				30	mA
$V_{PP}$ power supply current	$I_{PP}$	MD0 = $V_{IL}$ , MD1 = $V_{IH}$			30	mA

- Cautions**
- $V_{PP}$  must be under  $+13.5$  V including overshoot.
  - $V_{DD}$  must be applied before  $V_{PP}$  on and must be off after  $V_{PP}$  off.



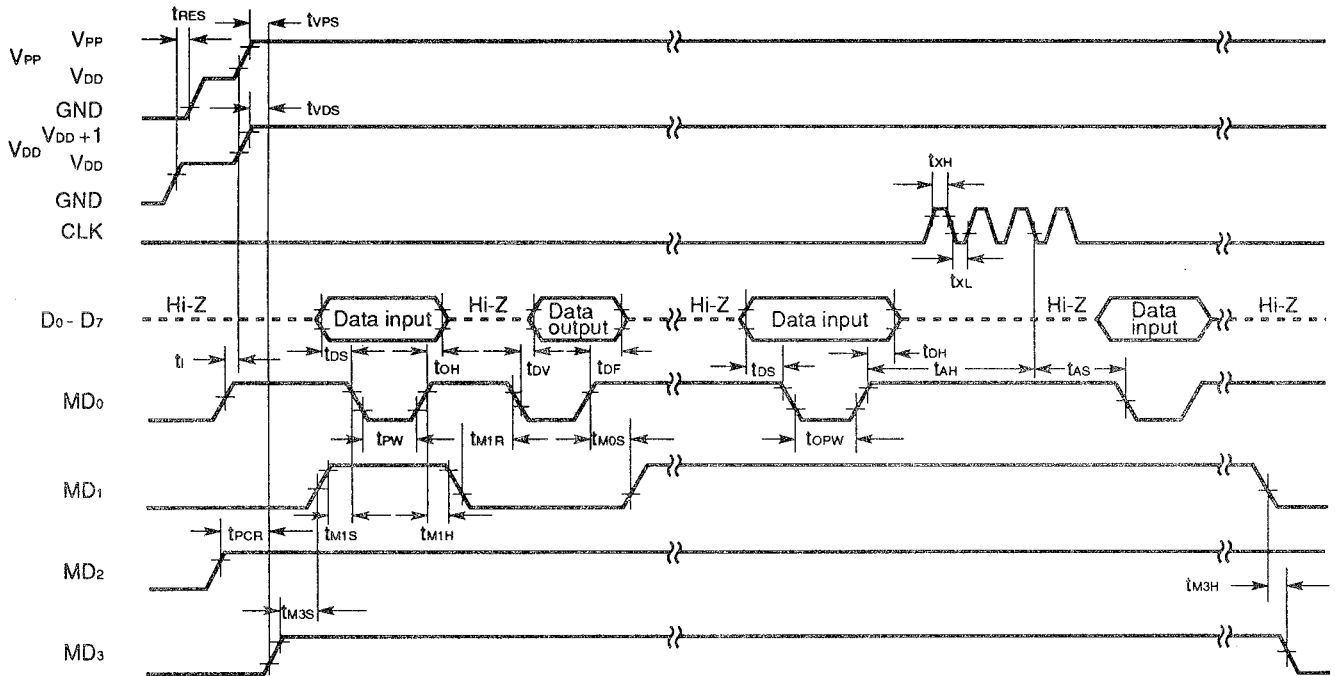
AC PROGRAMMING CHARACTERISTICS (T<sub>A</sub> = 25 °C, V<sub>DD</sub> = 6.0 ±0.25 V, V<sub>PP</sub> = 12.5 ±0.5 V)

Parameter	Symbol	Note 1	Conditions	Min.	Typ.	Max.	Unit
Address setup time <sup>Note 2</sup> to MD <sub>0</sub> ↓	t <sub>AS</sub>	t <sub>AS</sub>		2			μs
MD <sub>1</sub> setup time to MD <sub>0</sub> ↓	t <sub>M1S</sub>	t <sub>OES</sub>		2			μs
Data setup time to MD <sub>0</sub> ↓	t <sub>DS</sub>	t <sub>DS</sub>		2			μs
Address hold time <sup>Note 2</sup> to MD <sub>0</sub> ↑	t <sub>AH</sub>	t <sub>AH</sub>		2			μs
Data hold time to MD <sub>0</sub> ↑	t <sub>DH</sub>	t <sub>DH</sub>		2			μs
Delay from MD <sub>0</sub> ↑ to data output float	t <sub>DF</sub>	t <sub>DF</sub>		0		130	ns
V <sub>PP</sub> setup time to MD <sub>3</sub> ↑	t <sub>VPS</sub>	t <sub>VPS</sub>		2			μs
V <sub>DD</sub> setup time to MD <sub>3</sub> ↑	t <sub>VDS</sub>	t <sub>VCS</sub>		2			μs
Initial program pulse width	t <sub>PPW</sub>	t <sub>PPW</sub>		0.95	1.0	1.05	ms
Additional program pulse width	t <sub>OPW</sub>	t <sub>OPW</sub>		0.95		21.0	ms
MD <sub>0</sub> setup time to MD <sub>1</sub> ↑	t <sub>M0S</sub>	t <sub>OES</sub>		2			μs
Delay from MD <sub>0</sub> ↓ to data output	t <sub>DV</sub>	t <sub>DV</sub>	MD <sub>0</sub> = MD <sub>1</sub> = V <sub>IL</sub>			1	μs
MD <sub>1</sub> hold time to MD <sub>0</sub> ↑	t <sub>M1H</sub>	t <sub>OEH</sub>	t <sub>M1H</sub> + t <sub>M1R</sub> ≥ 50 μs	2			μs
MD <sub>1</sub> recovery time to MD <sub>0</sub> ↓	t <sub>M1R</sub>	t <sub>OR</sub>		2			μs
Program counter reset time	t <sub>PCR</sub>	—		10			μs
CLK input high, low level range	t <sub>XH</sub> , t <sub>XL</sub>	—		0.42			μs
CLK input frequency	f <sub>X</sub>	—				1.2	MHz
Initial mode set time	t <sub>I</sub>	—		2			μs
MD <sub>3</sub> setup time to MD <sub>1</sub> ↑	t <sub>M3S</sub>	—		2			μs
MD <sub>3</sub> hold time to MD <sub>1</sub> ↓	t <sub>M3H</sub>	—		2			μs
MD <sub>3</sub> setup time to MD <sub>0</sub> ↓	t <sub>M3SR</sub>	—	Read program memory	2			μs
Delay from address <sup>Note 2</sup> to data output	t <sub>DAD</sub>	t <sub>ACC</sub>	Read program memory			2	μs
Hold time from address <sup>Note 2</sup> to data output	t <sub>HAD</sub>	t <sub>OH</sub>	Read program memory	0		130	ns
MD <sub>3</sub> hold time to MD <sub>0</sub> ↑	t <sub>M3HR</sub>	—	Read program memory	2			μs
Delay from MD <sub>3</sub> ↓ to data output float	t <sub>DFR</sub>	—	Read program memory			2	μs
Reset setup time	t <sub>RES</sub>			10			μs

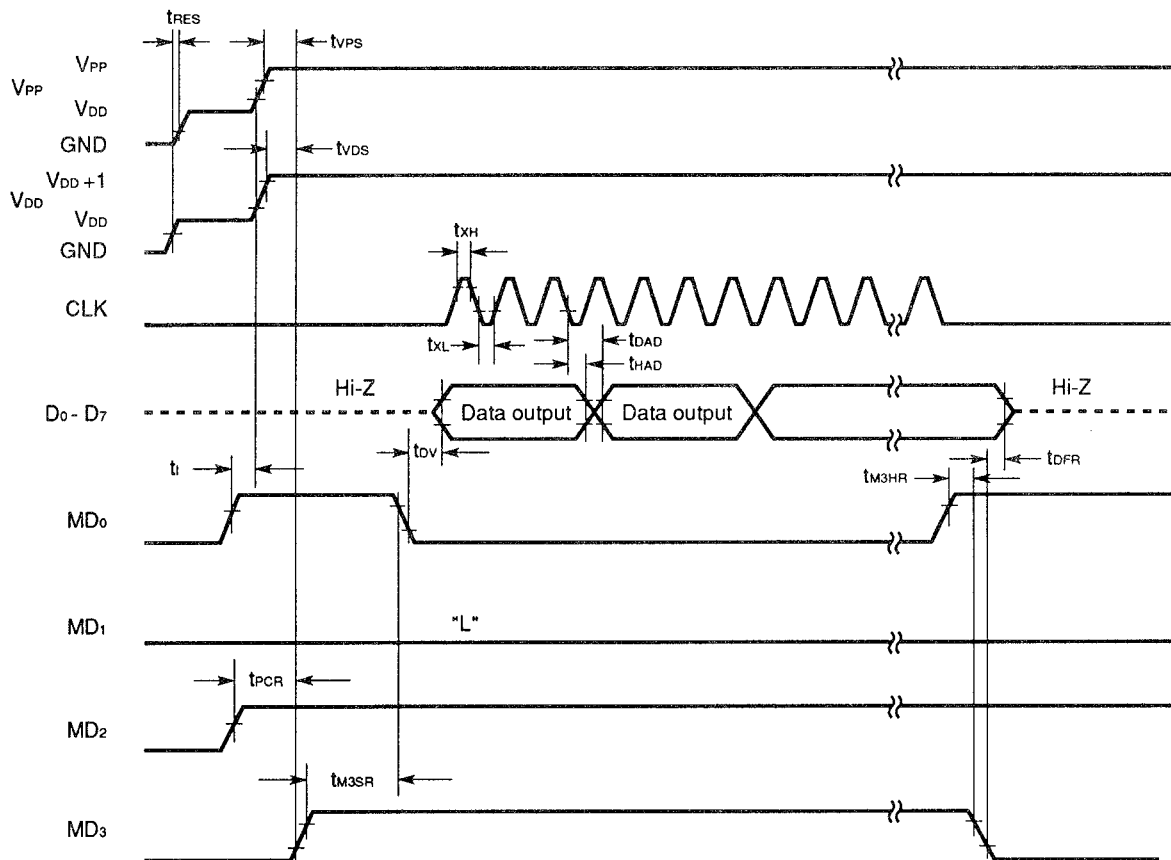
Notes 1. Symbols used for μPD27C256A (The μPD27C256A is used for maintenance.)

2. The internal address is incremented by one at the falling edge of the third clock (CLK) input.

Write program memory timing



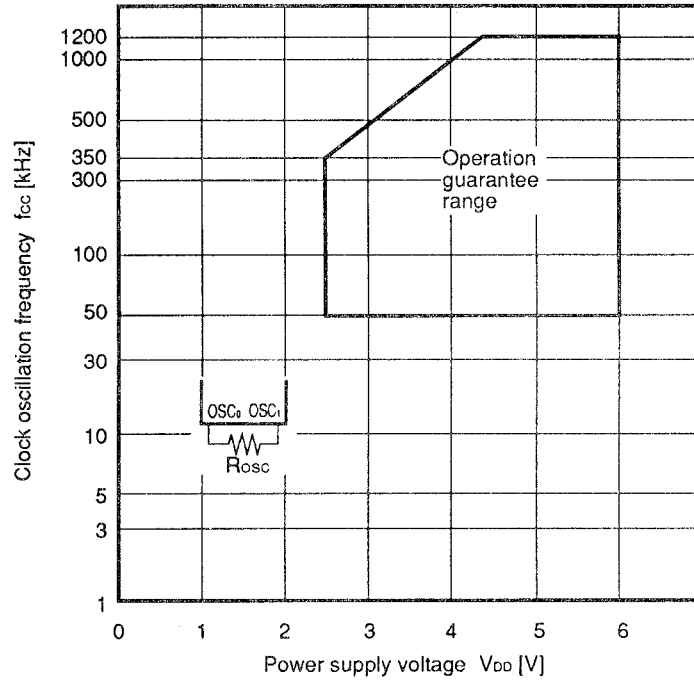
Read program memory timing



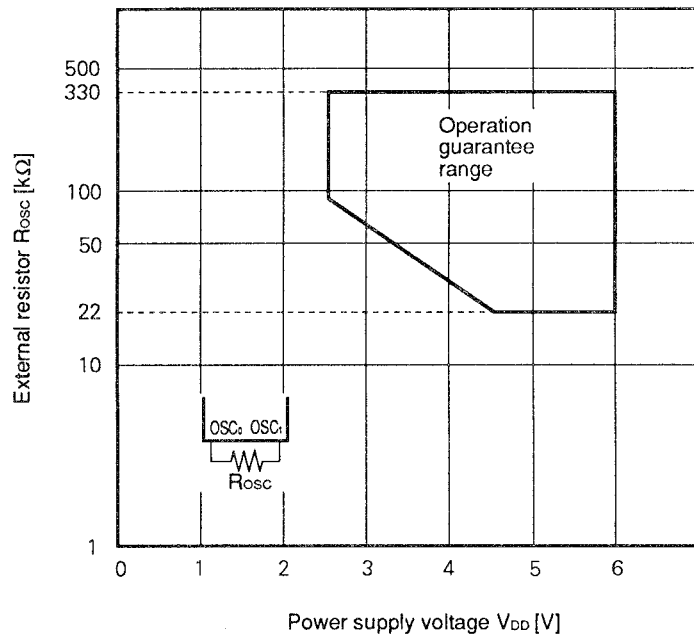
5. CHARACTERISTIC CURVES (FOR REFERENCE)

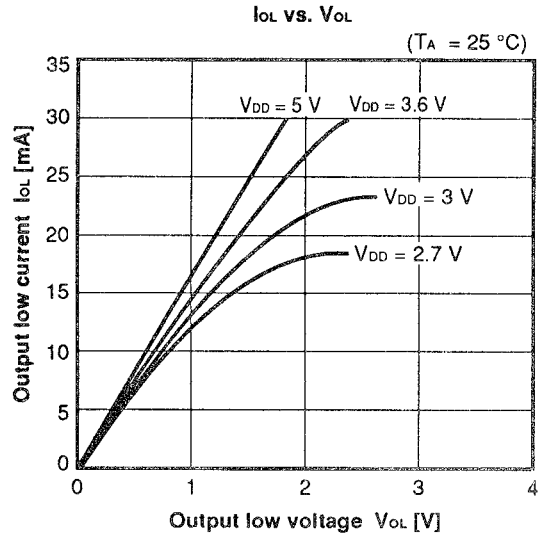
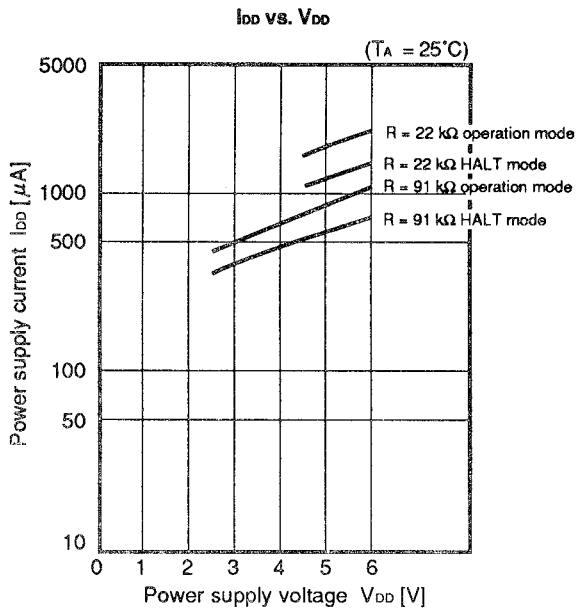
★

f<sub>cc</sub> vs. V<sub>DD</sub> for Operation Guarantee Range (T<sub>A</sub> = -40 to +85 °C)

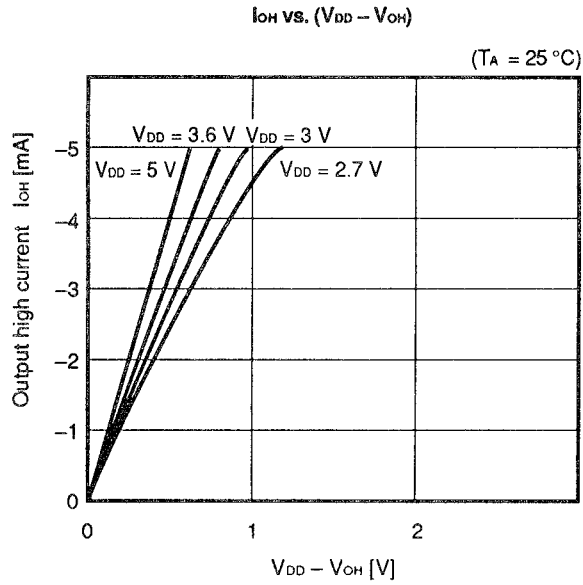


R<sub>osc</sub> vs. V<sub>DD</sub> for Operation Guarantee Range (T<sub>A</sub> = -40 to +85 °C)





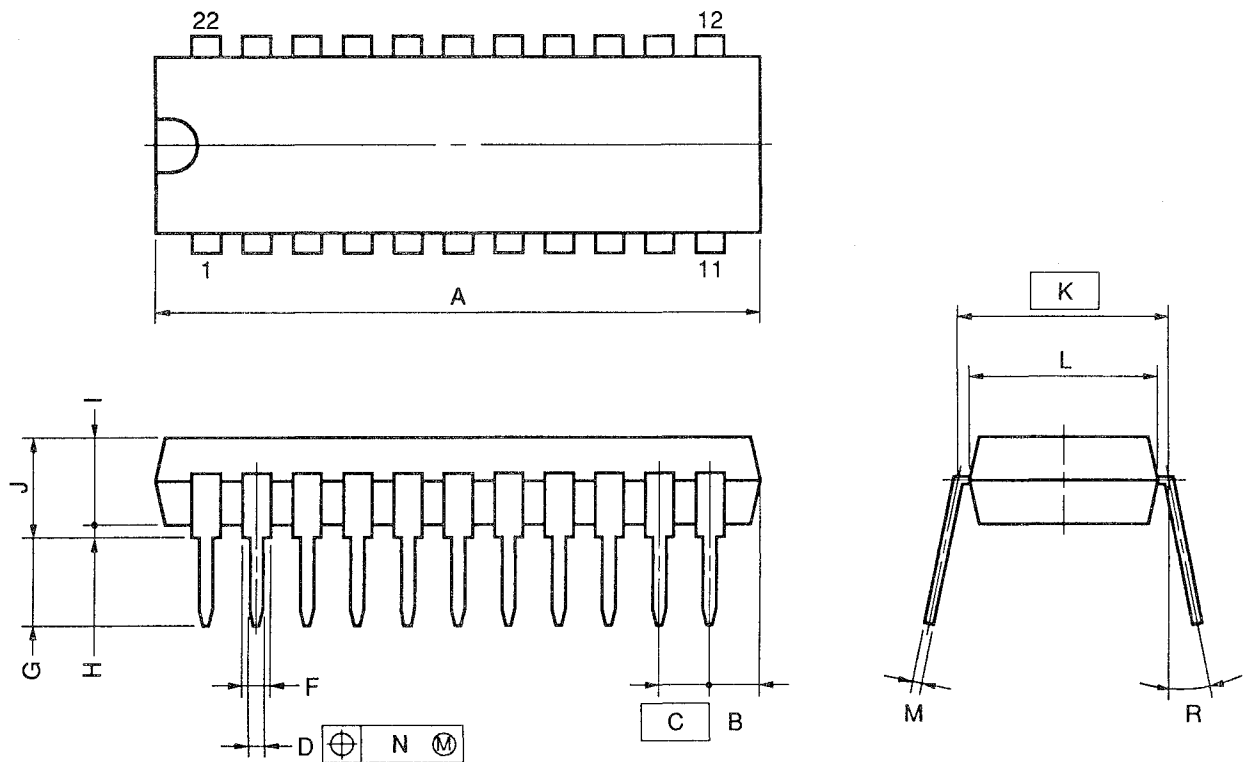
**Caution** The absolute maximum rating of the current is 30 mA per pin.



**Caution** The absolute maximum rating of the current is -5 mA per pin.

6. PACKAGE DRAWINGS

22 PIN PLASTIC SHRINK DIP (300 mil)



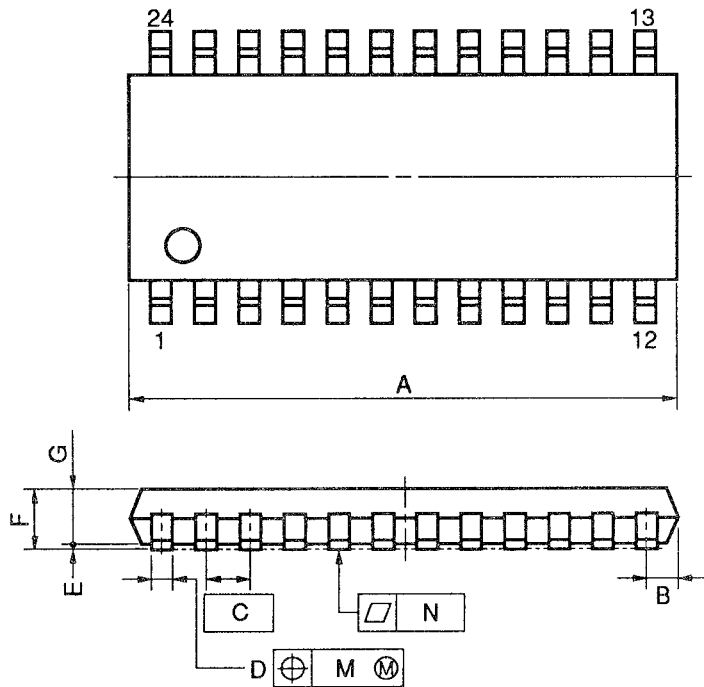
NOTES

- 1) Each lead centerline is located within 0.17 mm (0.007 inch) of its true position (T.P.) at maximum material condition.
- 2) Item "K" to center of leads when formed parallel.

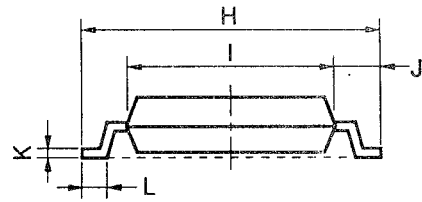
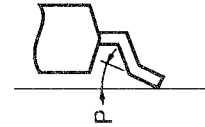
ITEM	MILLIMETERS	INCHES
A	23.12 MAX.	0.911 MAX.
B	2.67 MAX.	0.106 MAX.
C	1.778 (T.P.)	0.070 (T.P.)
D	0.50±0.10	0.020 <sup>+0.004</sup> <sub>-0.005</sub>
F	0.85 MIN.	0.033 MIN.
G	3.2±0.3	0.126±0.012
H	0.51 MIN.	0.020 MIN.
I	4.31 MAX.	0.170 MAX.
J	5.08 MAX.	0.200 MAX.
K	7.62 (T.P.)	0.300 (T.P.)
L	6.5	0.256
M	0.25 <sup>+0.10</sup> <sub>-0.05</sub>	0.010 <sup>+0.004</sup> <sub>-0.003</sub>
N	0.17	0.007
R	0~15°	0~15°

S22C-70-300B-1

24 PIN PLASTIC SOP (300 mil)



detail of lead end



NOTE

Each lead centerline is located within 0.12 mm (0.005 inch) of its true position (T.P.) at maximum material condition.

ITEM	MILLIMETERS	INCHES
A	15.54 MAX.	0.612 MAX.
B	0.78 MAX.	0.031 MAX.
C	1.27 (T.P.)	0.050 (T.P.)
D	0.40 <sup>+0.10</sup> <sub>-0.05</sub>	0.016 <sup>+0.004</sup> <sub>-0.003</sub>
E	0.1±0.1	0.004±0.004
F	1.8 MAX.	0.071 MAX.
G	1.55	0.061
H	7.7±0.3	0.303±0.012
I	5.6	0.220
J	1.1	0.043
K	0.20 <sup>+0.10</sup> <sub>-0.05</sub>	0.008 <sup>+0.004</sup> <sub>-0.002</sub>
L	0.6±0.2	0.024 <sup>+0.008</sup> <sub>-0.009</sub>
M	0.12	0.005
N	0.10	0.004
P	3° <sup>+7°</sup> <sub>-3°</sub>	3° <sup>+7°</sup> <sub>-3°</sub>

P24GM-50-300B-4

**7. RECOMMENDED SOLDERING CONDITIONS**

The conditions listed below shall be met when soldering the μPD17P108.

For details of the recommended soldering conditions, refer to our document *SMD Surface Mount Technology Manual* (IEI-1207).

Please consult with our sales offices in case any other soldering process is used, or in case soldering is done under different conditions.

**Table 7-1 Soldering Conditions for Surface-Mount Devices**

★

μPD17P108GS: 24-pin plastic SOP (300 mil)

Soldering process	Soldering conditions
Partial heating method	Terminal temperature: 300 °C or less Flow time: 3 seconds or less (for each side of device)

**Table 7-2 Soldering Conditions for Through Hole Mount Devices**

★

μPD17P108CS: 22-pin plastic shrink DIP (300 mil)

Soldering process	Soldering conditions
Wave soldering (only for terminals)	Solder temperature: 260 °C or less Flow time: 10 seconds or less
Partial heating method	Terminal temperature: 300 °C or less Flow time: 3 seconds or less (for each terminal)

**Caution** In wave soldering, apply solder only to the terminals. Care must be taken that jet solder does not come in contact with the main body of the package.

APPENDIX A TINY MICROCONTROLLER FAMILY

★

Product name	μPD17103	μPD17103L	μPD17P103	μPD17104	μPD17104L	μPD17P104
Item						
ROM capacity	Masked ROM 1K byte (512 × 16 bits)		One-time PROM	Masked ROM		One-time PROM
RAM capacity	16 × 4 bits					
Number of input/output port pins <sup>Note</sup>	11 (3)			16 (4)		
System clock	Ceramic oscillation					
Instruction execution time	2 μs (at f <sub>x</sub> = 8 MHz)	8 μs (at f <sub>x</sub> = 2 MHz)	2 μs (at f <sub>x</sub> = 8 MHz)		8 μs (at f <sub>x</sub> = 2 MHz)	2 μs (at f <sub>x</sub> = 8 MHz)
Standby function	HALT, STOP					
Supply voltage	• 2.7 to 6.0 V (at f <sub>x</sub> = 500 kHz to 2 MHz) • 4.5 to 6.0 V (at f <sub>x</sub> = 500 kHz to 8 MHz)	• 1.8 to 3.6 V (at f <sub>x</sub> = 500 kHz to 2 MHz)	• 2.7 to 6.0 V (at f <sub>x</sub> = 500 kHz to 2 MHz) • 4.5 to 6.0 V (at f <sub>x</sub> = 500 kHz to 8 MHz)		• 1.8 to 3.6 V (at f <sub>x</sub> = 500 kHz to 2 MHz)	• 2.7 to 6.0 V (at f <sub>x</sub> = 500 kHz to 2 MHz) • 4.5 to 6.0 V (at f <sub>x</sub> = 500 kHz to 8 MHz)
Package	• 16-pin DIP	• 16-pin SOP		• 22-pin shrink DIP		• 24-pin SOP
One-time PROM	μPD17P103		–	μPD17P104		–

Product name	μPD17107	μPD17107L	μPD17P107	μPD17108	μPD17108L	μPD17P108
Item						
ROM capacity	Masked ROM 1K byte (512 × 16 bits)		One-time PROM	Masked ROM		One-time PROM
RAM capacity	16 × 4 bits					
Number of input/output port pins <sup>Note</sup>	11 (3)			16 (4)		
System clock	RC oscillation					
Instruction execution time	8 μs (at f <sub>cc</sub> = 1 MHz)	40 μs (at f <sub>cc</sub> = 200 kHz)	8 μs (at f <sub>cc</sub> = 1 MHz)		40 μs (at f <sub>cc</sub> = 200 kHz)	8 μs (at f <sub>cc</sub> = 1 MHz)
Standby function	HALT, STOP					
Supply voltage	• 2.5 to 6.0 V (at f <sub>cc</sub> = 50 kHz to 250 kHz) • 4.5 to 6.0 V (at f <sub>cc</sub> = 50 kHz to 1 MHz)	• 1.5 to 3.6 V (at f <sub>cc</sub> = 50 kHz to 250 kHz)	• 2.5 to 6.0 V (at f <sub>cc</sub> = 50 kHz to 250 kHz) • 4.5 to 6.0 V (at f <sub>cc</sub> = 50 kHz to 1 MHz)		• 1.5 to 3.6 V (at f <sub>cc</sub> = 50 kHz to 250 kHz)	• 2.5 to 6.0 V (at f <sub>cc</sub> = 50 kHz to 250 kHz) • 4.5 to 6.0 V (at f <sub>cc</sub> = 50 kHz to 1 MHz)
Package	• 16-pin DIP	• 16-pin SOP		• 22-pin shrink DIP		• 24-pin SOP
One-time PROM	μPD17P107		–	μPD17P108		–

**Note** A number enclosed in parentheses indicates the number of the N-ch open-drain outputs. N-ch open-drain outputs can be connected to internal pull-up resistors by specifying the mask option.

**Remark** The μPD17P108 can be used to evaluate programs for the μPD17108L. Note, however, that the allowable supply voltages for the μPD17P108 and μPD17108L do not fall in the same range.



APPENDIX B DEVELOPMENT TOOLS

The following support tools are available for developing programs for the μPD17P108.

Hardware

Name	Description
In-circuit emulator [ IE-17K IE-17K-ET <sup>Note 1</sup> EMU-17K <sup>Note 2</sup> ]	The IE-17K, IE-17K-ET, and EMU-17K are in-circuit emulators applicable to the 17K series. The IE-17K and IE-17K-ET are connected to the PC-9800 series (host machine) or IBM PC/AT™ through the RS-232-C interface. The EMU-17K is inserted into the extension slot of the PC-9800 series (host machine). Use the system evaluation board (SE board) corresponding to each product together with one of these in-circuit emulators. <i>SIMPLEHOST</i> ®, a man machine interface, implements an advanced debug environment. The EMU-17K also enables user to check the contents of the data memory in real time.
SE board (SE-17108)	The SE-17108 is an SE board for the μPD17108, μPD17108L, or μPD17P108. It is used solely for evaluating the system. It is also used for debugging in combination with the in-circuit emulator.
Emulation probe (EP-17104CX)	The EP-17104CX is an emulation probe for the μPD17108, μPD17108L, μPD17P108, μPD17104, μPD17104L, or μPD17P104.
PROM programmer [ AF-9703 <sup>Note 3</sup> AF-9704 <sup>Note 3</sup> AF-9705 <sup>Note 3</sup> AF-9706 <sup>Note 3</sup> ]	The AF-9703, AF-9704, AF-9705, and AF-9706 are PROM programmers for the μPD17P108. Use one of these PROM programmers with the program adapter, AF-9799, to write a program into the μPD17P108.
Program adapter (AF-9799 <sup>Note 3</sup> )	The AF-9799 is a socket unit for the μPD17P103, μPD17P104, μPD17P107 or μPD17P108. It is used with the AF-9703, AF-9704, AF-9705, or AF-9706.

**Notes** 1. Low-end model, operating on an external power supply

2. The EMU-17K is a product of IC Co., Ltd. Contact IC Co., Ltd. (Tokyo, 03-3447-3793) for details. ★

3. The AF-9703, AF-9704, AF-9705, AF-9706, and AF-9799 are products of Ando Electric Co., Ltd. Contact Ando Electric Co., Ltd. (Tokyo, 03-3733-1151) for details. ★

Software

Name	Description	Host machine	OS		Distribution media	Part number
★ 17K series assembler (AS17K)	AS17K is an assembler applicable to the 17K series. In developing μPD17P108 programs, AS17K is used in combination with a device file (AS17103).	PC-9800 series	MS-DOS™		5.25-inch, 2HD	μS5A10AS17K
					3.5-inch, 2HD	μS5A13AS17K
		IBM PC/AT	PC DOS™		5.25-inch, 2HC	μS7B10AS17K
					3.5-inch, 2HC	μS7B13AS17K
★ Device file (AS17103)	AS17103 is a device file for the μPD17108 and μPD17P108. It is used together with the assembler (AS17K), which is applicable to the 17K series.	PC-9800 series	MS-DOS		5.25-inch, 2HD	μS5A10AS17103 Note
					3.5-inch, 2HD	μS5A13AS17103 Note
		IBM PC/AT	PC DOS		5.25-inch, 2HC	μS7B10AS17103 Note
					3.5-inch, 2HC	μS7B13AS17103 Note
★ Support software (SIMPLEHOST)	SIMPLEHOST, running under Windows™, provides man-machine-interface in developing programs by using a personal computer and in-circuit emulator.	PC-9800 series	MS-DOS	Windows	5.25-inch, 2HD	μS5A10IE17K
					3.5-inch, 2HD	μS5A13IE17K
		IBM PC/AT	PC DOS	5.25-inch, 2HC	μS7B10IE17K	
				3.5-inch, 2HC	μS7B13IE17K	

Note The μSxxxxAS17103 contains a device file for the μPD17103, μPD17104, μPD17107, μPD17108, μPD17103L, μPD17104L, μPD17107L, and μPD17108L.

★ Remark The following table lists the versions of the operating systems described in the above table.

OS	Versions
MS-DOS	Ver. 3.30 to Ver. 5.00A>Note
PC DOS	Ver. 3.1 to Ver. 5.0>Note
Windows	Ver. 3.0 to Ver. 3.1

Note MS-DOS versions 5.00 and 5.00A and PC DOS Ver. 5.0 are provided with a task swap function. This function, however, cannot be used in these software packages.

### Cautions on CMOS Devices

#### ① Countermeasures against static electricity for all MOSs

**Caution** When handling MOS devices, take care so that they are not electrostatically charged. Strong static electricity may cause dielectric breakdown in gates. When transporting or storing MOS devices, use conductive trays, magazine cases, shock absorbers, or metal cases that NEC uses for packaging and shipping. Be sure to ground MOS devices during assembling. Do not allow MOS devices to stand on plastic plates or do not touch pins. Also handle boards on which MOS devices are mounted in the same way.

#### ② CMOS-specific handling of unused input pins

**Caution** Hold CMOS devices at a fixed input level.

Unlike bipolar or NMOS devices, if a CMOS device is operated with no input, an intermediate-level input may be caused by noise. This allows current to flow in the CMOS device, resulting in a malfunction. Use a pull-up or pull-down resistor to hold a fixed input level. Since unused pins may function as output pins at unexpected times, each unused pin should be separately connected to the  $V_{DD}$  or GND pin through a resistor.

If handling of unused pins is documented, follow the instructions in the document.

#### ③ Statuses of all MOS devices at initialization

**Caution** The initial status of a MOS device is unpredictable when power is turned on.

Since characteristics of a MOS device are determined by the amount of ions implanted in molecules, the initial status cannot be determined in the manufacture process. NEC has no responsibility for the output statuses of pins, input and output settings, and the contents of registers at power on. However, NEC assures operation after reset and items for mode setting if they are defined.

When you turn on a device having a reset function, be sure to reset the device first.

**SIMPLEHOST is a registered trademark of NEC Corporation.**  
**MS-DOS and Windows are trademarks of Microsoft Corporation.**  
**PC/AT and PC DOS are trademarks of IBM Corporation.**

The export of this product from Japan is regulated by the Japanese government. To export this product may be prohibited without governmental license, the need for which must be judged by the customer. The export or re-export of this product from a country other than Japan may also be prohibited without a license from that country. Please call an NEC sales representative.

No part of this document may be copied or reproduced in any form or by any means without the prior written consent of NEC Corporation. NEC Corporation assumes no responsibility for any errors which may appear in this document.

NEC Corporation does not assume any liability for infringement of patents, copyrights or other intellectual property rights of third parties by or arising from use of a device described herein or any other liability arising from use of such device. No license, either express, implied or otherwise, is granted under any patents, copyrights or other intellectual property rights of NEC Corporation or others.

While NEC Corporation has been making continuous effort to enhance the reliability of its semiconductor devices, the possibility of defects cannot be eliminated entirely. To minimize risks of damage or injury to persons or property arising from a defect in an NEC semiconductor device, customer must incorporate sufficient safety measures in its design, such as redundancy, fire-containment, and anti-failure features.

NEC devices are classified into the following three quality grades:

"Standard", "Special", and "Specific". The Specific quality grade applies only to devices developed based on a customer designated "quality assurance program" for a specific application. The recommended applications of a device depend on its quality grade, as indicated below. Customers must check the quality grade of each device before using it in a particular application.

Standard: Computers, office equipment, communications equipment, test and measurement equipment, audio and visual equipment, home electronic appliances, machine tools, personal electronic equipment and industrial robots

Special: Transportation equipment (automobiles, trains, ships, etc.), traffic control systems, anti-disaster systems, anti-crime systems, safety equipment and medical equipment (not specifically designed for life support)

Specific: Aircrafts, aerospace equipment, submersible repeaters, nuclear reactor control systems, life support systems or medical equipment for life support, etc.

The quality grade of NEC devices in "Standard" unless otherwise specified in NEC's Data Sheets or Data Books. If customers intend to use NEC devices for applications other than those specified for Standard quality grade, they should contact NEC Sales Representative in advance.

Anti-radioactive design is not implemented in this product.