

# LH1687

## 240-output TFT-LCD Source Driver IC

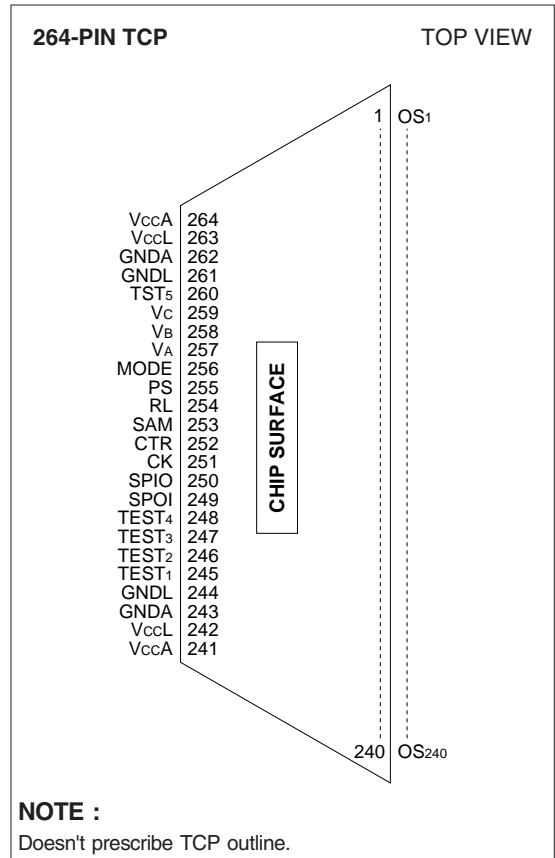
### DESCRIPTION

The LH1687 is a 240-output TFT-LCD source driver IC used in such products as TV sets. The LH1687 samples and holds three video signals of R, G and B by sample and hold circuits synchronized with the CK, and simultaneously outputs the LCD drive voltage from all output pins.

### FEATURES

- Number of LCD drive outputs : 240
- Output circuit form : Push pull output
- Power save function : By setting the LCD drive output in a high-impedance condition, the current source of the LCD drive output circuit is cut off, which makes low power operation possible
- Sampling timing : Normal sampling operation and 3-point simultaneous sampling operation can be selected
- Video signal setting : Available for stripe pixel array panels and delta pixel array panels using mode setting circuit
- Sampling clock frequency : 25 MHz (MAX.)
- Cascade connection
- Sampling sequence :  
Output shift direction can be selected  
OS<sub>1</sub>→OS<sub>240</sub> or OS<sub>240</sub>→OS<sub>1</sub>
- Output amplitude voltage :  
4.8 V<sub>p-p</sub> (at 5.0 V supply voltage)
- Supply voltages
  - V<sub>ccL</sub> (for logic system) : +3.0 to +5.5 V
  - V<sub>ccA</sub> (for LCD drive system) : +3.0 to +5.5 V
- Operating temperature : –30 to + 85 °C
- Package : 264-pin TCP (Tape Carrier Package)

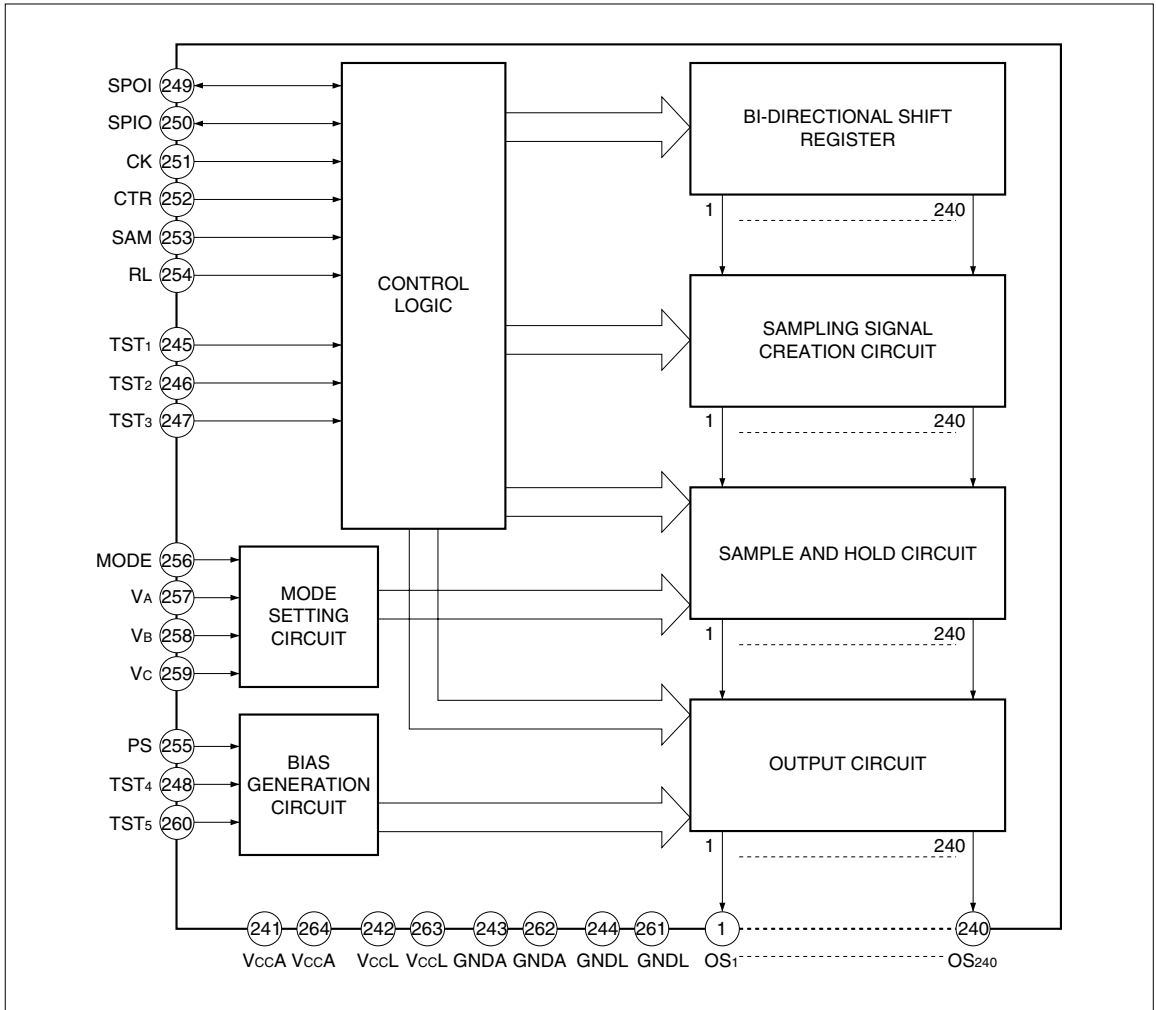
### PIN CONNECTIONS



**PIN DESCRIPTION**

<b>PIN NO.</b>	<b>SYMBOL</b>	<b>I/O</b>	<b>DESCRIPTION</b>
1 to 240	OS1-OS240	O	LCD drive output pins
241, 264	VccA	–	Power supply pins for LCD drive circuit
242, 263	VccL	–	Power supply pins for logic circuit
243, 262	GND A	–	Ground pins for LCD drive system
244, 261	GND L	–	Ground pins for logic system
245 to 248	TST1-TST4	I	IC test pins
249	SPOI	I/O	Start pulse input/cascade output pin
250	SPIO	I/O	Start pulse input/cascade output pin
251	CK	I	Horizontal shift clock input pin
252	CTR	I	LCD drive circuit operation selection pin
253	SAM	I	Sampling mode selection pin
254	RL	I	Sampling sequence selection pin
255	PS	I	Power save mode setting pin
256	MODE	I	Video signals form setting pin
257 to 259	VA, VB, VC	I	Video signal input pins
260	TST5	I	IC test pin

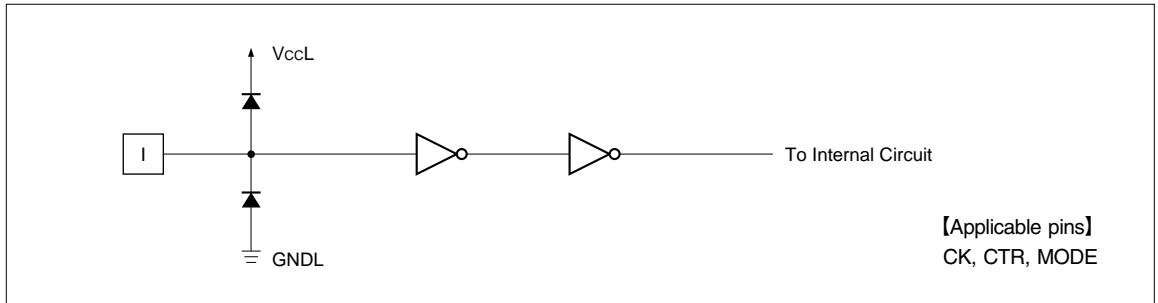
BLOCK DIAGRAM



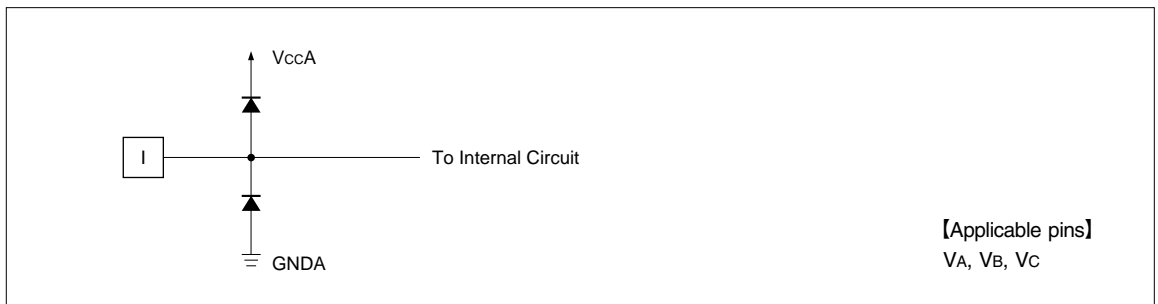
**FUNCTIONAL OPERATIONS OF EACH BLOCK**

BLOCK	FUNCTION
Control Logic	Used to create signals necessary for each operation mode setting and sampling signal creation circuits, etc.
Bi-directional Shift Register	Used as transfer circuit of video sampling start signals. It is possible to set the direction of sampling start signal sequence OS <sub>1</sub> →OS <sub>240</sub> or OS <sub>240</sub> →OS <sub>1</sub> by setting the R/L pin.
Sampling Signal Creation Circuit	Used to create the sampling signals corresponding to each output pin based on the sampling start signals transferred by the bi-directional shift register.
Mode Setting Circuit	Used to set the form of the video signals to be sent to the sample and hold circuits.
Sample and Hold Circuit	Used to sample the video signals input from the mode setting circuit at the timing of the sampling signals and hold the sampling data until the next sampling operation.
Bias Generation Circuit	Used to generate bias voltage necessary for output circuits.
Output Circuit	The circuit consists of a push-pull output operational amplifier and outputs the voltage corresponding to the data held in the sample and hold circuits.

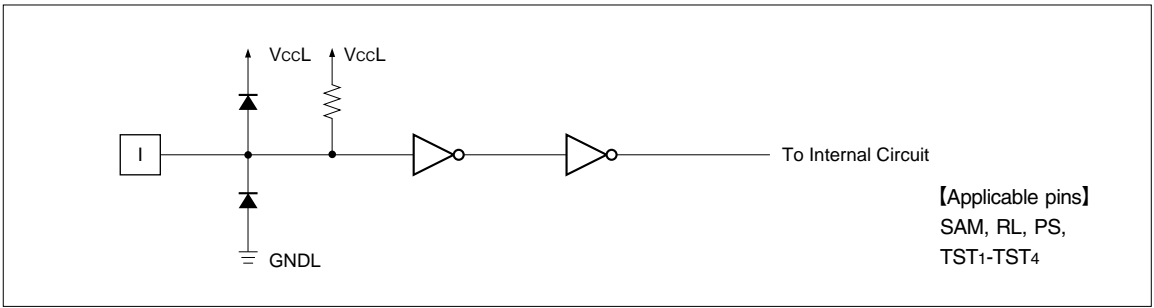
**INPUT/OUTPUT CIRCUITS**



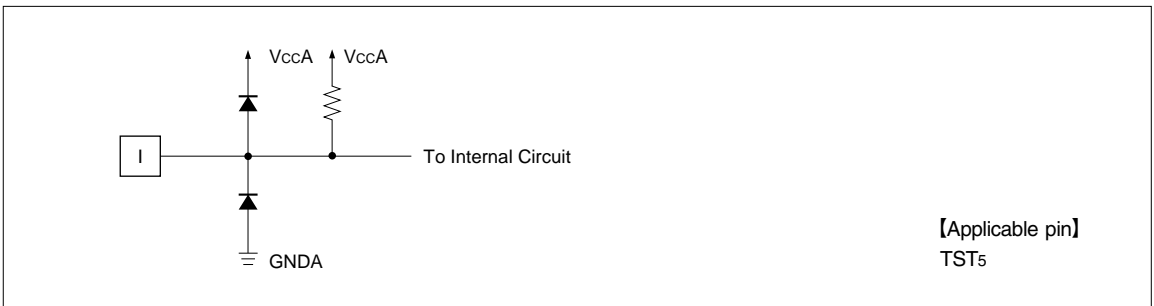
**Fig. 1 Input Circuit (1)**



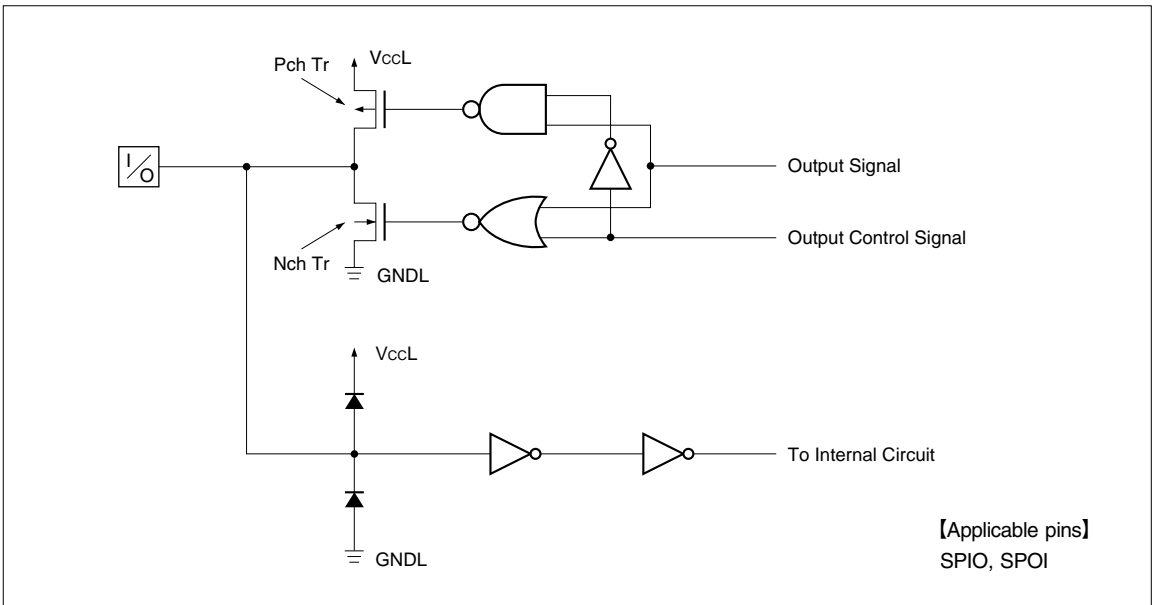
**Fig. 2 Input Circuit (2)**



**Fig. 3 Input Circuit (3)**



**Fig. 4 Input Circuit (4)**



**Fig. 5 Input/Output Circuit**

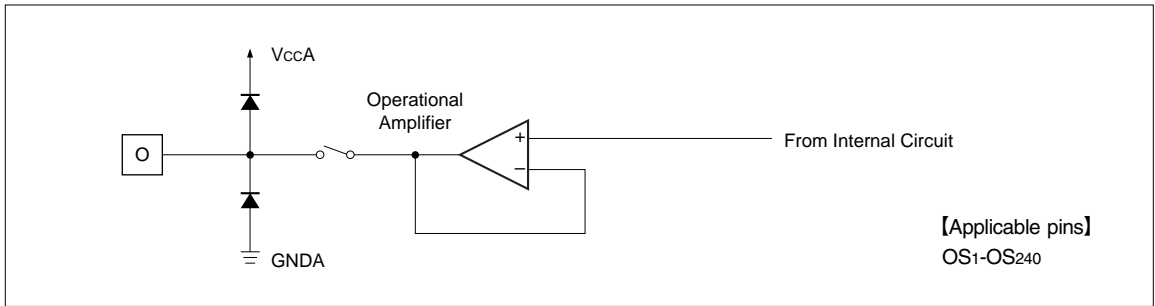


Fig. 6 Output Circuit

## FUNCTIONAL DESCRIPTION

### Pin Functions

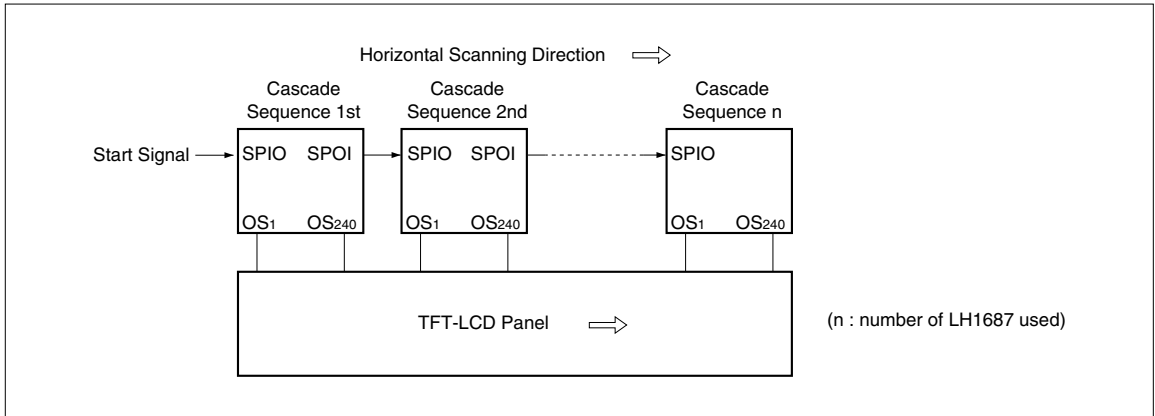
SYMBOL	FUNCTION
VccL	Used as power supply pin for logic circuit, connected to +3.0 to +5.0 V.
VccA	Used as power supply pin for LCD drive circuit, connected to +3.0 to +5.0 V. Must be set to $V_{ccL} \leq V_{ccA}$ .
GNDL	Used as ground pin for logic circuit, connected to 0 V.
GND A	Used as ground pin for LCD drive circuit, connected to 0 V.
TST1-TST4	Used as input pins for IC testing, connected to VccL (high level).
TST5	Used as input pins for IC testing, connected to VccA (high level).
SPIO SPOI	Used as input/output pins of cascade operation start signal. SPIO becomes input pin of operation start signal and SPOI becomes output pin of operation start signal of next IC when set to R/L = "H". SPOI becomes input pin of operation start signal and SPIO becomes output pin of operation start signal of next IC when set to R/L = "L".
CK	Used as horizontal shift clock input pin. Video signals are sampled in order at the rising and falling edge of CK.
CTR	Used as input pin of selecting video signal sampling circuits and selecting input signal of output operational amplifiers.
SAM	Used as input pin for setting the selecting of normal sampling operation or 3-point simultaneous sampling operation. For normal sampling operation, video signals are sampled into sample and hold circuits every 1 LCD drive output. For 3-point simultaneous sampling operation, video signals are sampled into sample and hold circuits every 3 LCD drive outputs simultaneously. For either operation, sampling signals are shifted at every rising and falling edge of horizontal shift clock of CK pin (half clock), and their sampling period is equal to the period of one clock.

SYMBOL	FUNCTION
RL	<p>Used as input pin for setting the shift direction of video signal sampling sequence and the selecting input/output of SPIO/SPOI pins.</p> <p>Video signals are sampled in order of OS<sub>1</sub>→OS<sub>240</sub>, set SPIO to input of operation start signal and set SPOI to output of operation start signal of next IC when set RL to "H".</p> <p>Video signals are sampled in order of OS<sub>240</sub>→OS<sub>1</sub>, set SPOI to input of operation start signal and set SPIO to output of operation start signal of next IC when set RL to "L".</p>
PS	<p>Used as input pin for setting of power save mode.</p> <p>LCD drive output pins output voltage corresponding to video signals held in the sample and hold circuits when set PS to "H".</p> <p>The LH1687 is set low power mode by setting high-impedance condition and cutting off current source of LCD drive outputs when set PS to "L".</p>
MODE	<p>Used as input pin for setting video signals for sampling in the sample and hold circuits.</p> <p>By mode setting circuit, video signals are sampled and output in order of V<sub>B</sub>, V<sub>A</sub>, and V<sub>C</sub> when set to "H" and in order of V<sub>C</sub>, V<sub>B</sub>, and V<sub>A</sub> when set to "L" with respect to OS<sub>1</sub> to OS<sub>240</sub> .</p>
V <sub>A</sub> V <sub>B</sub> V <sub>C</sub>	<p>Used as input pins of video signals.</p> <p>V<sub>B</sub>, V<sub>A</sub>, V<sub>C</sub>, ... V<sub>B</sub>, V<sub>A</sub>, V<sub>C</sub> or V<sub>C</sub>, V<sub>B</sub>, V<sub>A</sub>, ... V<sub>C</sub>, V<sub>B</sub>, V<sub>A</sub> are input with respect to LCD drive outputs OS<sub>1</sub>, OS<sub>2</sub>, OS<sub>3</sub>, ... OS<sub>238</sub>, OS<sub>239</sub>, OS<sub>240</sub> by MODE pin setting condition.</p>
OS <sub>1</sub> -OS <sub>240</sub>	<p>Used as LCD drive output pins.</p> <p>Voltage corresponding to video signals held in the sample and hold circuits is output when set to PS = "H", and becomes high-impedance condition when set to PS = "L".</p>

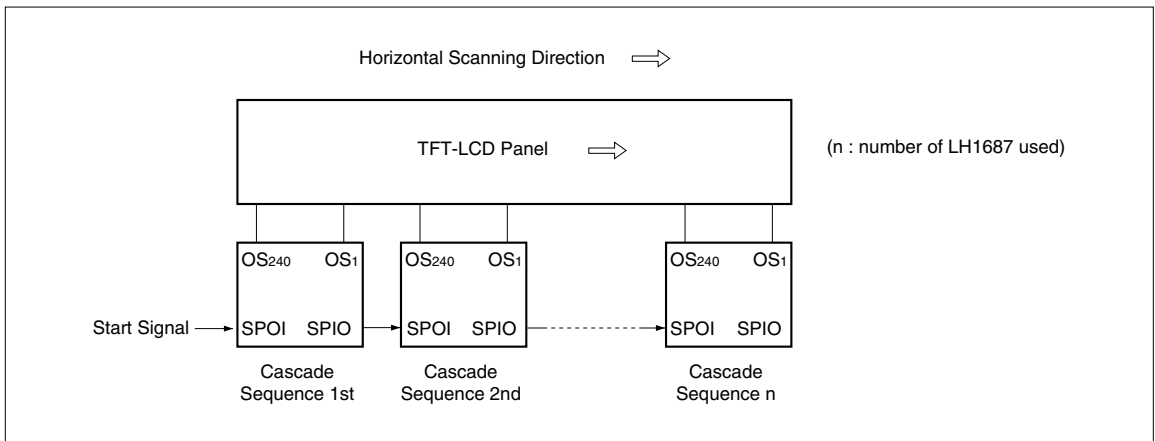
## Functional Operations

### (1) Examples of Cascade Sequence

When RL = "H"



When RL = "L"

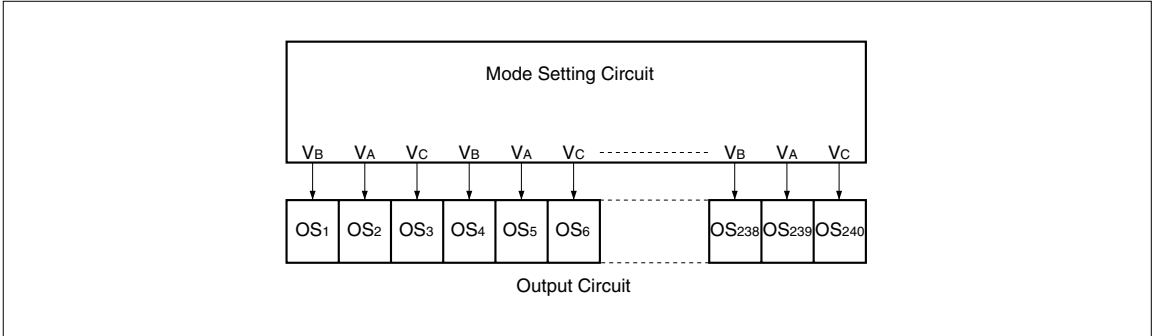




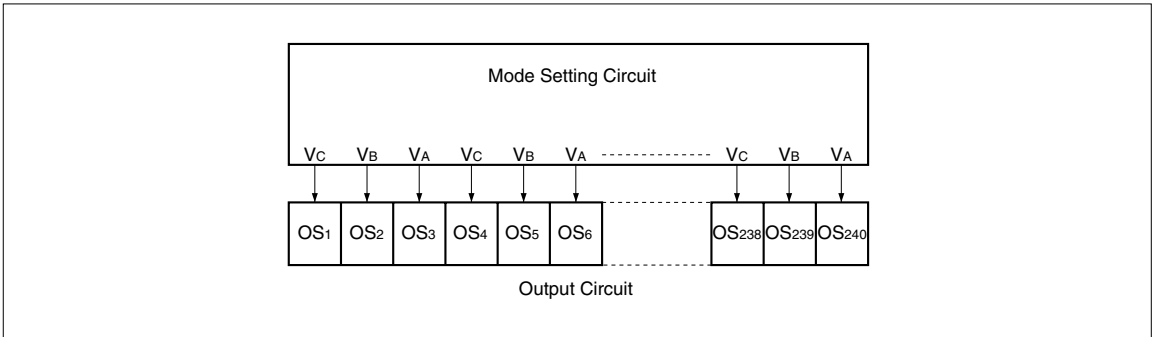
(2) Video Signal Mode Setting Function

With MODE pin condition, it is possible to set the form of video signals corresponding to each output pin by selecting the mode setting circuit.

When MODE = "H"



When MODE = "L"



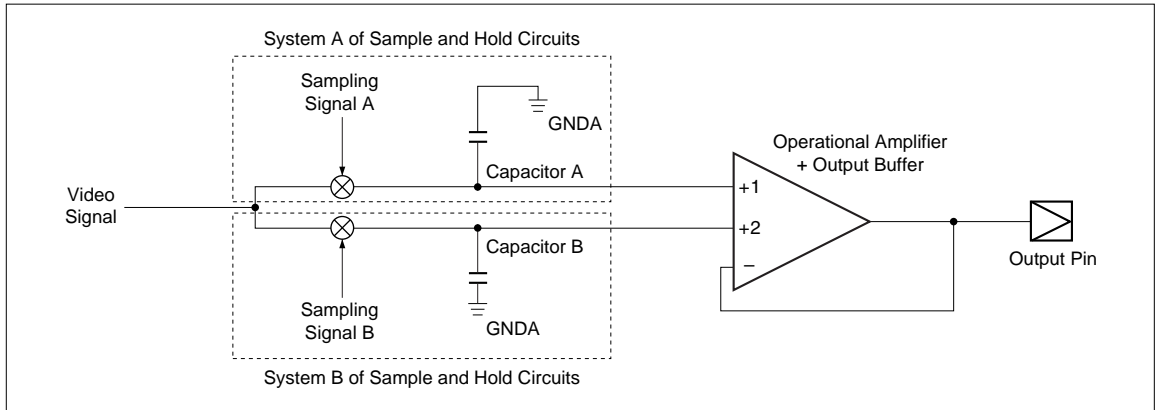
(3) Output Circuit Type

The LH1687 samples video signals by the sample and hold circuits of 2 systems and outputs the voltage corresponding to the sampled data by the input switching operational amplifiers with push-pull output buffer.

Sample and hold circuits and output circuits are as shown in the diagram below.

When CTR = "H", the LH1687 samples the data to system A of the sample and hold circuits and outputs the voltage corresponding to the voltage sampled by capacitor B of system B.

When CTR = "L", the LH1687 samples the data to system B of the sample and hold circuits and outputs the voltage corresponding to the voltage sampled by capacitor A of system A.



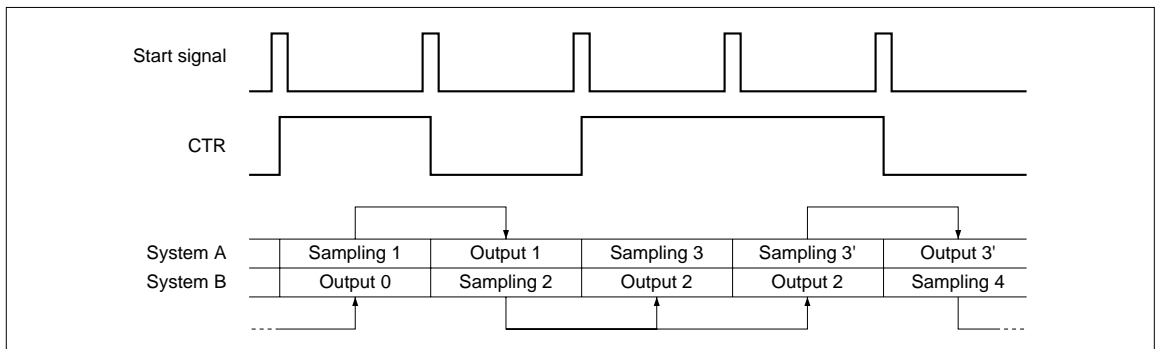
Therefore, it is usually necessary to repeat the sampling operation and output operation by exchanging CTR signal ("H" to "L" or "L" to "H") for every start signal.

While CTR signal is set to "H" or "L" several times

for start signal, the same voltage is output continuously.

The output voltage corresponds to the data sampled by the previous sampling operation.

Timing of operation is as follows.



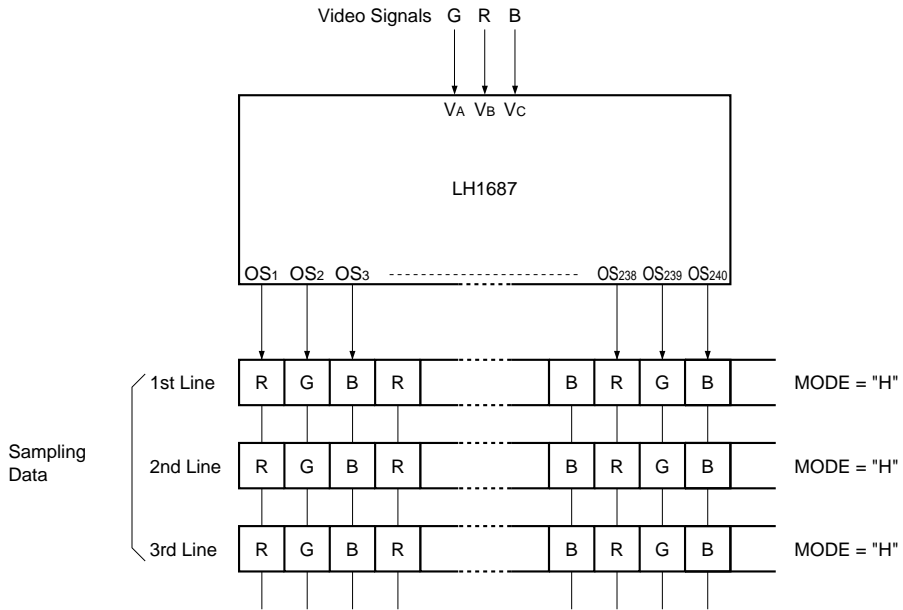
Also, there is a power save function which makes high-impedance of the output pin and a reduction in the current of operational amplifiers possible when

set to PS = "L", but careful attention must be paid to the displaying quality etc. when using it.

(4) Examples of LCD Panel Connection

With the video signal mode setting function of (2), it is possible to connect LCD panel to the stripe pixel array panel and delta pixel array panel as shown in the following examples.

(a) Example of Stripe Pixel Array Panel Connection



Connection of video signal input pins

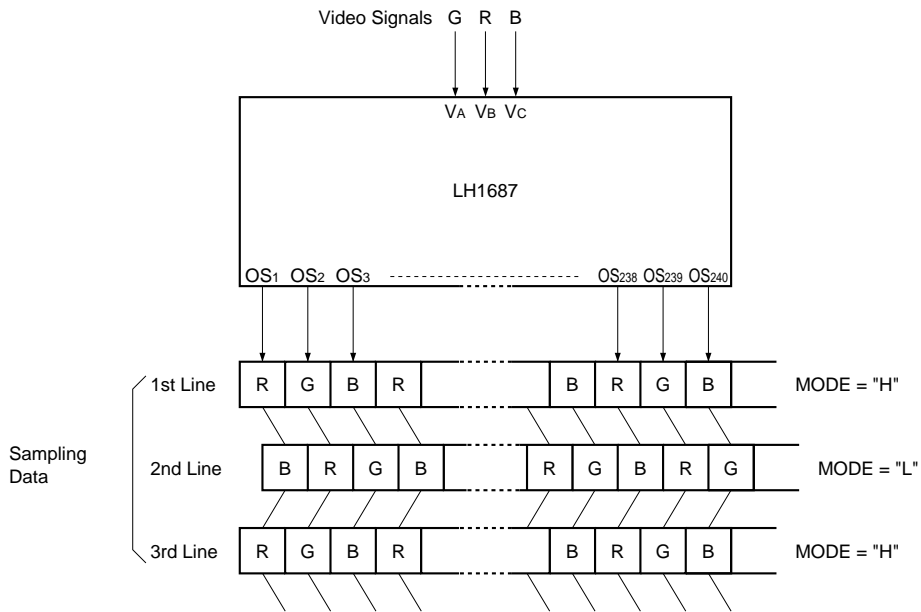
Video signal input pin	VA	VB	VC
Video signal	G	R	B

Setting of video signals that are to be sampled by output circuits and MODE pin condition

	1st LINE	2nd LINE	3rd LINE	AFTER 4th LINE
OS (3n + 1)	R	R	R	R
OS (3n + 2)	G	G	G	G
OS (3n + 3)	B	B	B	B
MODE pin setting	"H"	"H"	"H"	"H"

(n = 0, 1, 2, ..., 79)

(b) Example of Delta Pixel Array Panel Connection



Connection of video signal input pins

Video signal input pin	VA	VB	Vc
Video signal	G	R	B

Setting of video signals that are to be sampled by output circuits and MODE pin condition

	1st LINE	2nd LINE	3rd LINE	AFTER 4th LINE
OS (3n + 1)	R	B	R	B and R are alternately selected.
OS (3n + 2)	G	R	G	R and G are alternately selected.
OS (3n + 3)	B	G	B	G and B are alternately selected.
MODE pin setting	"H"	"L"	"H"	"L" and "H" are alternately selected.

(n = 0, 1, 2, ..., 79)

**NOTES :**

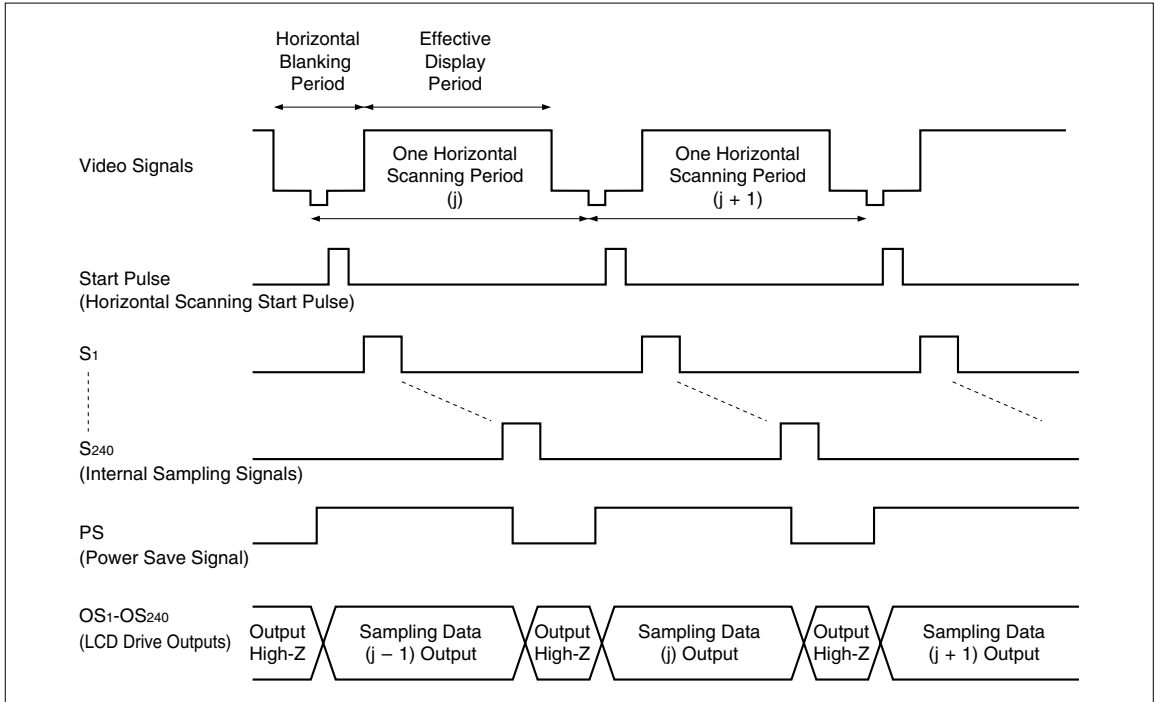
- Set the MODE pin condition during blanking period.
- Input the horizontal shift clock signal of CK pin by shifting the phase for each line according to the shift of the pixels connected to the same source bus line.  
If the pixels connected to the same source bus line are shifted by half the pixels, change the clock phase 90 degrees.  
Clock phase must be changed during blanking period.

## Outline of Operation Timing

### (1) Overall Operation Timing

Video signals of one horizontal scanning period are sampled into the sample and hold circuits at the timing of the internal sampling pulses of each

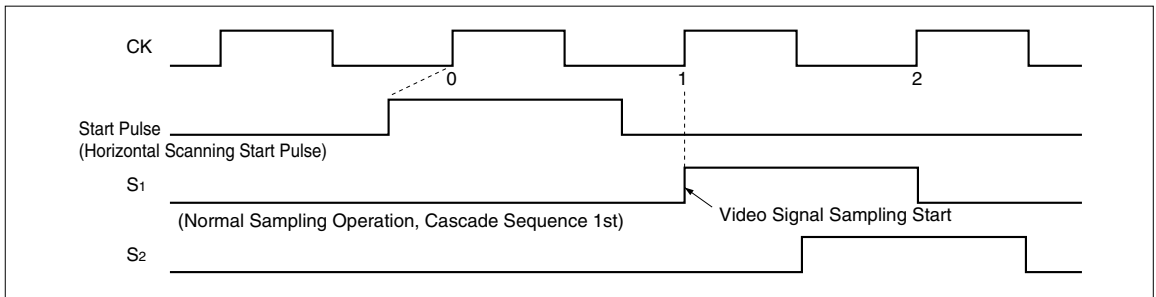
output circuit, and data corresponding to the sampled data are output.



### (2) Timing of Video Signal Sampling

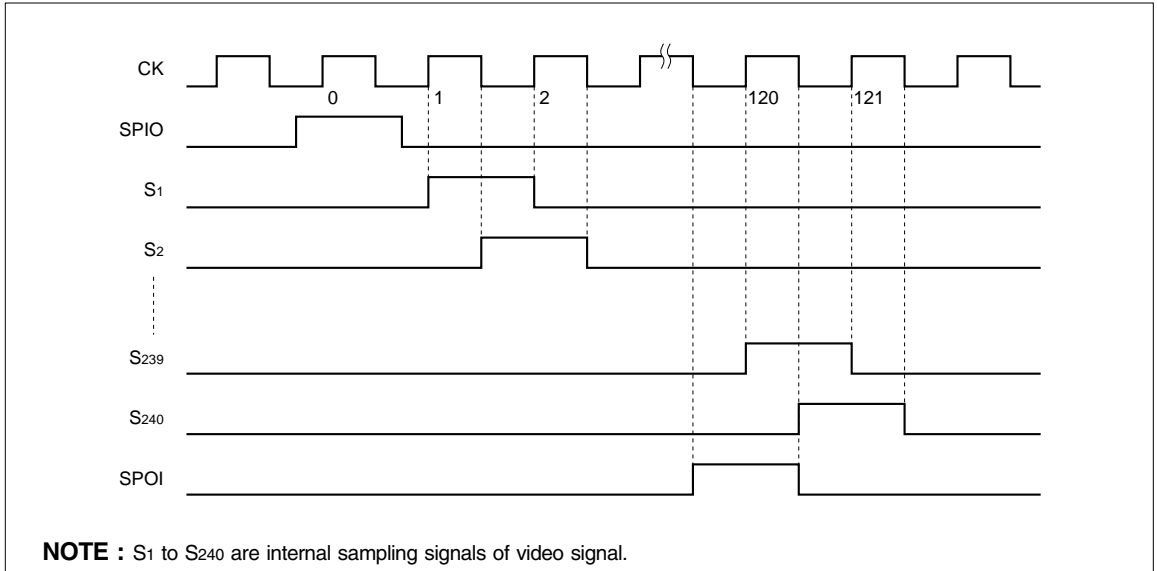
If the normal sampling operation and cascade sequence is 1st, the video signal sampling (internal sampling signal S<sub>n</sub> (n = 1, 2, ..., 240)) is started at the

rising edge of first clock after falling edge of start pulse.

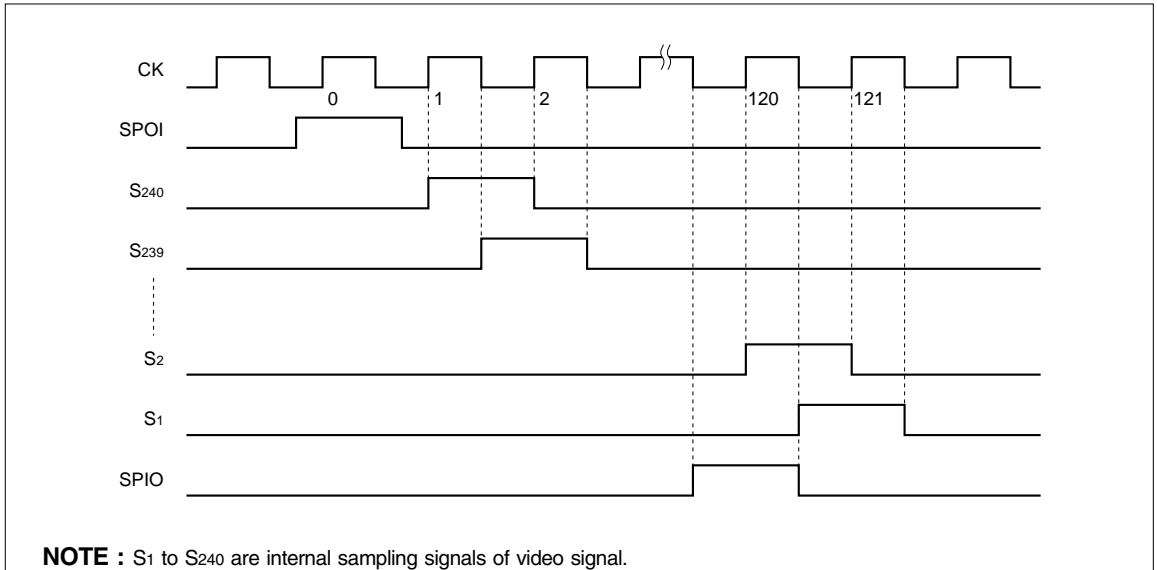


### Timing Chart for Normal Sampling Operation

(1) When RL = "H"

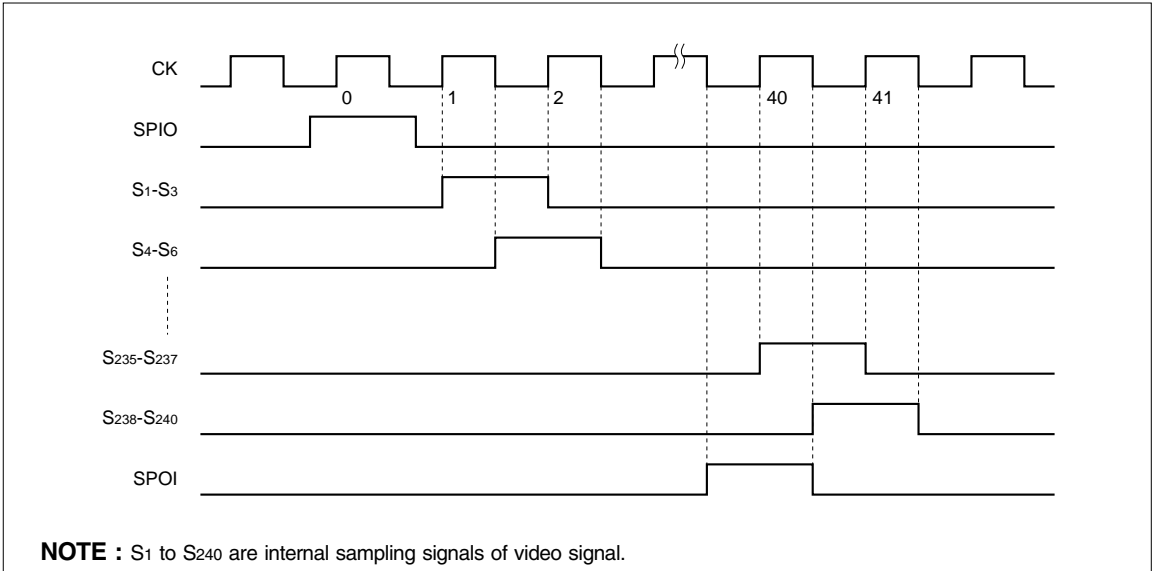


(2) When RL = "L"

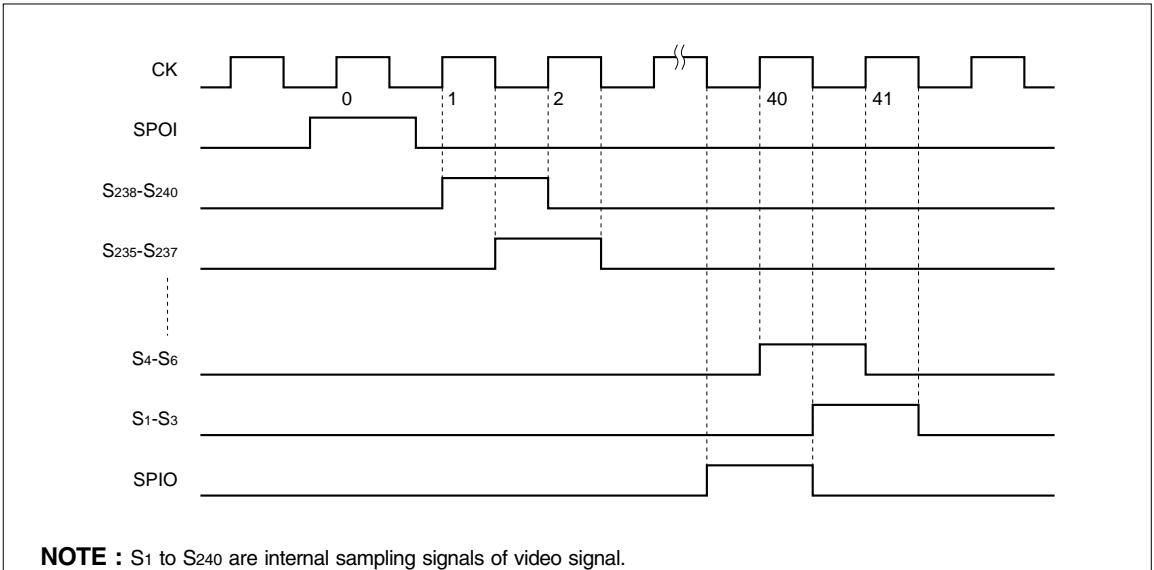


### Timing Chart for 3-point Simultaneous Sampling Operation

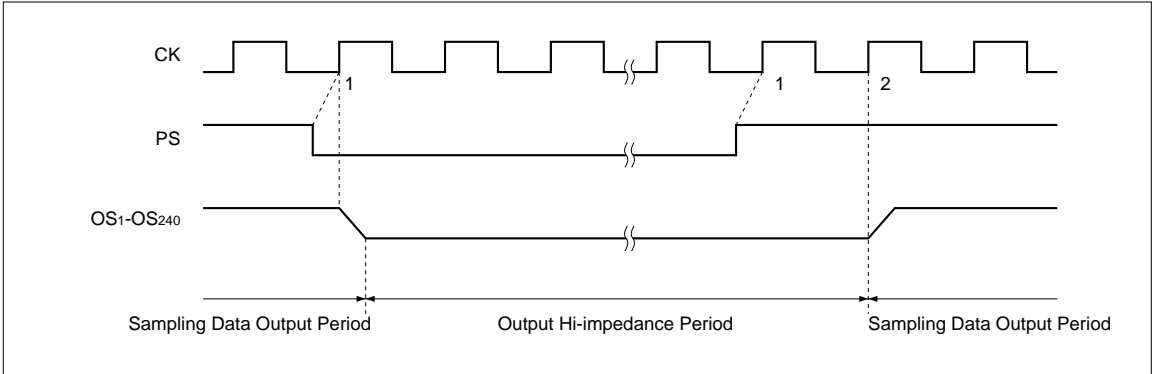
(1) When RL = "H"



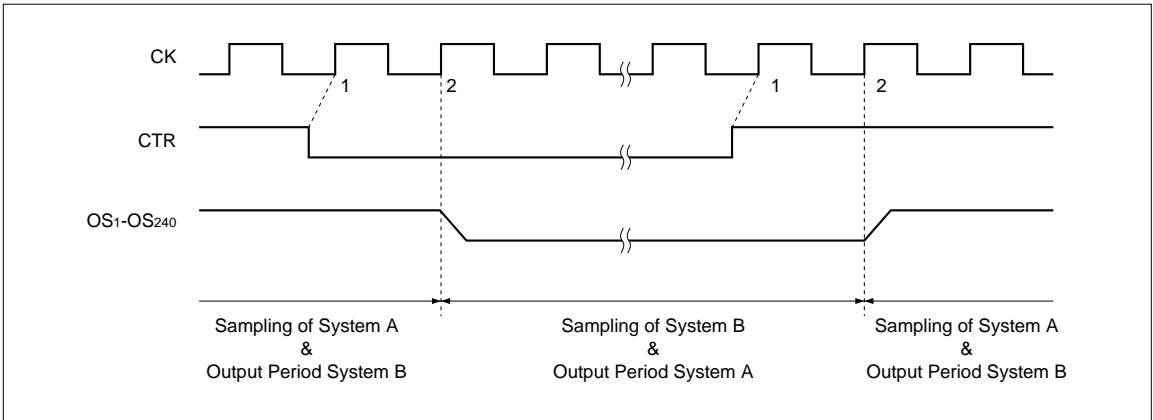
(2) When RL = "L"



## Timing Chart for PS Operation



## Timing Chart for CTR Operation



## PRECAUTIONS

### Precautions when connecting or disconnecting the power supply

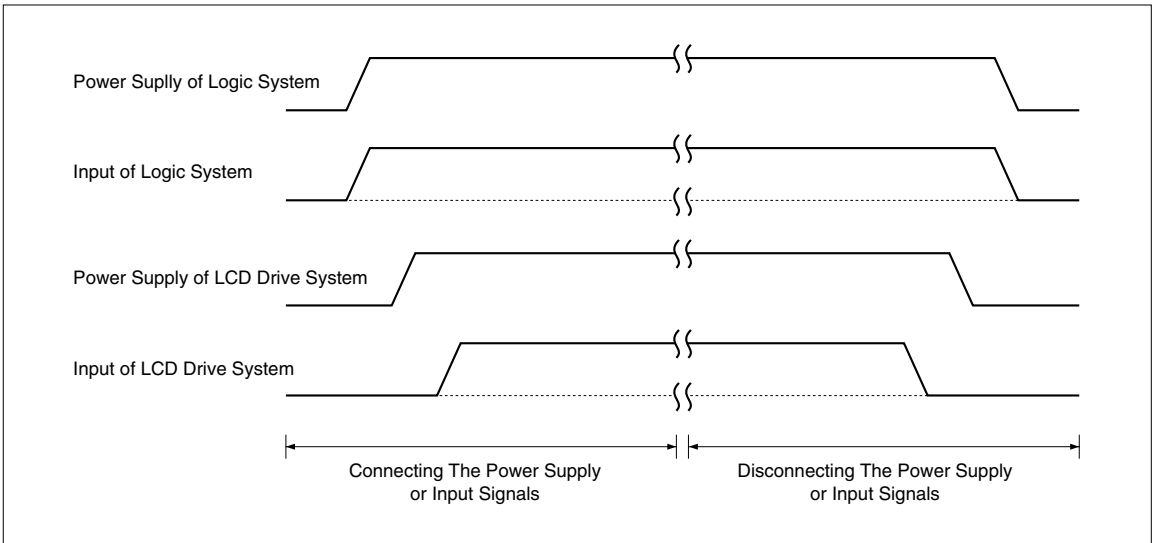
This IC has some power supply pins, so it may be permanently damaged by a high current which may flow if voltage is supplied to the LCD drive power supply while the logic system power supply is floating. Therefore, when connecting the power supply, set the logic system input pins (SPIO, SPOI, CK, CTR, MODE, SAME, RL, PS, TST<sub>1</sub>, TST<sub>2</sub>, TST<sub>3</sub>, TST<sub>4</sub>) after supplying the voltage to

the logic system power supply pin (V<sub>ccL</sub>), and next supplying the voltage to the LCD drive system power supply pin (V<sub>ccA</sub>). Finally, set the LCD drive system input pins (V<sub>A</sub>, V<sub>B</sub>, V<sub>C</sub>, TST<sub>5</sub>).

When disconnecting the power supply, follow the reverse sequence.

When connecting or disconnecting the power supply follow the recommended sequence shown here.





### Setting of Input pins

Since 5 pins of SPIO, SPOI, CK, CTR, and MODE of the input pins are not pulled up or pulled down in the IC, never use these 5 pins in the "OPEN" condition.

Since VA, VB, and Vc pins are for inputting video signals, necessary video signals must always be input.

Except for VA, VB, Vc, SPIO, SPOI, CK, CTR, and MODE, all other input pins are pulled up in the IC. However, to preventing malfunction due to noise etc., avoid using the "OPEN" condition whenever possible, and set to "H" level or "L" level.

### Input video signals

Input video signals are target for analog signals (continuous signals).

The input band of video signals is applicable up to the maximum of 12.5 MHz.

### Bypass capacitor

If the noise of a logic system is superposed on analog circuits such as the sample and hold circuits, analog characteristics (such as output voltage deviation and dynamic range, etc.) may deteriorate. For this reason, insert bypass capacitors of about 1  $\mu\text{F}$  between VccL and GNDL, VccA and GNDA.

Fully evaluate and determine the value of bypass capacitors with them actually mounted on the LCD module.

### Maximum ratings

When connecting or disconnecting the power supply, this IC must be used within the range of the absolute maximum ratings.

**ABSOLUTE MAXIMUM RATINGS**

PARAMETER	SYMBOL	APPLICABLE PINS	RATING	UNIT	NOTE
Supply voltage	V <sub>ccL</sub>	V <sub>ccL</sub>	-0.3 to +7.0	V	1, 2
	V <sub>ccA</sub>	V <sub>ccA</sub>	-0.3 to +7.0	V	
Input voltage	V <sub>INL</sub>	CK, CTR, SPIO, SPOI, MODE, RL, SAM, PS, TST1-TST4	-0.3 to V <sub>ccL</sub> + 0.3	V	
	V <sub>INA</sub>	TST5, VA, VB, VC	-0.3 to V <sub>ccA</sub> + 0.3	V	
Storage temperature	T <sub>STG</sub>		-45 to +125	°C	

**NOTES :**

1. T<sub>A</sub> = +25 °C
2. The maximum applicable voltage on any pin with respect to GNDL and GNDA (0 V).

**RECOMMENDED OPERATING CONDITIONS**

PARAMETER	SYMBOL	APPLICABLE PINS	RATING	UNIT	NOTE
Supply voltage	V <sub>ccL</sub>	V <sub>ccL</sub>	+3.0 to +5.5	V	1, 2
	V <sub>ccA</sub>	V <sub>ccA</sub>	+3.0 to +5.5	V	
Input voltage	V <sub>INL</sub>	CK, CTR, SPIO, SPOI, MODE, RL, SAM, PS, TST1-TST4	0 to V <sub>ccL</sub>	V	
	V <sub>INA</sub>	TST5, VA, VB, VC	0 to V <sub>ccA</sub>	V	
Operating temperature	T <sub>OPR</sub>		-30 to +85	°C	

**NOTES :**

1. The applicable voltage on any pin with respect to GNDL and GNDA (0 V).
2. Ensure that voltages are set such that V<sub>ccL</sub> ≤ V<sub>ccA</sub>.

## ELECTRICAL CHARACTERISTICS

### DC Characteristics

(Unless otherwise specified, GNDL = GNDA = 0 V, V<sub>CC</sub>L = +3.3 V, V<sub>CC</sub>A = +5.0 V, T<sub>OPR</sub> = -30 to +85 °C)

PARAMETER	SYMBOL	CONDITIONS	APPLICABLE PINS	MIN.	TYP.	MAX.	UNIT.	NOTE
Input "Low" voltage	V <sub>IL</sub>		CK, CTR, SPIO, SPOI,	0		0.3V <sub>CC</sub> L	V	
Input "High" voltage	V <sub>IHL</sub>		MODE, RL, SAM, PS	0.7V <sub>CC</sub> L		V <sub>CC</sub> L	V	
Input voltage	V <sub>INA</sub>		VA, VB, VC	0		V <sub>CC</sub> A	V	
Input "Low" current	I <sub>IL1</sub>	V <sub>IN</sub> = 0 V	CK, CTR, SPIO, SPOI, MODE, VA, VB, VC			10	μA	
	I <sub>IL2</sub>		RL, SAM, PS			400	μA	
Input "High" current	I <sub>IHL</sub>	V <sub>IN</sub> = V <sub>CC</sub> L	CK, CTR, SPIO, SPOI, MODE, RL, SAM, PS			10	μA	
	I <sub>IHA</sub>	V <sub>IN</sub> = V <sub>CC</sub> A	VA, VB, VC			10	μA	
Dynamic range	V <sub>p-p</sub>		VA, VB, VC	0.1		V <sub>CC</sub> A - 0.1	V	
Deviations between output voltage pins	V <sub>OD</sub>		OS1-OS240	-20		20	mV	1
Supply current (In operation mode)	I <sub>CC</sub> A1		V <sub>CC</sub> A		6.0		mA	2
Supply current (In power save mode)	I <sub>CC</sub> A2					100	μA	3
Supply current	I <sub>CC</sub> L1		V <sub>CC</sub> L		1.5		mA	2

### NOTES :

1. Start signal :

Cycle t<sub>SP</sub> = 63.5 μs, "H" period width tw<sub>SP</sub> = 80 ns.

CTR signal :

Cycle t<sub>CTR</sub> = 127.0 μs, "H" period width tw<sub>CTR</sub> = 63.5 μs.

Change from "H" to "L" or "L" to "H" is synchronized with start pulse during blanking period.

CK signal :

Frequency f<sub>CK</sub> = 12.5 MHz (duty = 50%)

V<sub>A</sub> = V<sub>B</sub> = V<sub>C</sub> = 0.1 V to V<sub>CC</sub>A - 0.1 V

Connect all other pins to high level.

Voltage difference between the average voltage of all OS output pins in the chip and the output voltage of each OS output pin. T<sub>A</sub> = 25 °C

2. Start signal :

Cycle t<sub>SP</sub> = 63.5 μs, "H" period width tw<sub>SP</sub> = 80 ns.

CTR signal :

Cycle t<sub>CTR</sub> = 127.0 μs, "H" period width tw<sub>CTR</sub> = 63.5 μs.

Change from "H" to "L" or "L" to "H" is synchronized with start pulse during blanking period.

CK signal :

Frequency f<sub>CK</sub> = 12.5 MHz (duty = 50%)

Connect V<sub>A</sub>, V<sub>B</sub>, and V<sub>C</sub> pins to V<sub>CC</sub>A.

Connect all other pins to high level.

3. Start signal :

Cycle t<sub>SP</sub> = 63.5 μs, "H" period width tw<sub>SP</sub> = 80 ns.

CTR signal :

Cycle t<sub>CTR</sub> = 127.0 μs, "H" period width tw<sub>CTR</sub> = 63.5 μs.

Change from "H" to "L" or "L" to "H" is synchronized with start pulse during blanking period.

CK signal :

Frequency f<sub>CK</sub> = 12.5 MHz (duty = 50%)

Pin to be set to GND : PS

Connect V<sub>A</sub>, V<sub>B</sub>, and V<sub>C</sub> pins to V<sub>CC</sub>A.

Connect all other pins to high level.

## AC Characteristics

(Unless otherwise specified, GNDL = GNDA = 0 V, VccL = +3.3 V, VccA = +5.0 V, TOPR = -30 to +85 °C)

PARAMETER	SYMBOL	CONDITIONS	APPLICABLE PINS	MIN.	TYP.	MAX.	UNIT	NOTE
Clock frequency	fck	SAM = "H"	CK			12.5	MHz	
		SAM = "L"				7.0	MHz	
"H" level clock width	tWHC	SAM = "H"		30.0			ns	
		SAM = "L"		50.0			ns	
"L" level clock width	tWLC	SAM = "H"		30.0			ns	
		SAM = "L"		50.0			ns	
Input rise time	tRC	SAM = "H"	SPIO, SPOI, CK			10.0	ns	
		SAM = "L"				20.0	ns	
Input fall time	tFC	SAM = "H"				10.0	ns	
		SAM = "L"				20.0	ns	
Start pulse width	twSP		SPIO, SPOI	$\frac{1}{fck}$			ns	
Start pulse setup time	tsUSP		SPIO, SPOI, CK	10.0			ns	
Start pulse hold time	thSP			15.0			ns	
Start pulse output delay time	tdSP	CL = 15 pF					20.0	ns
PS signal setup time	tsUPS		PS	$\frac{1}{2fck}$			μs	
CTR signal setup time	tsUCTR		CTR	$\frac{1}{2fck}$			μs	
Output transfer delay time	tDO		OS1-OS240			5.0	μs	1
Output rise time	tR					5.0	μs	
Output fall time	tF					5.0	μs	
Power save delay time	tDOP					3.0	μs	2
Power save rise time	tROP					5.0	μs	
Power save fall time	tFOP					5.0	μs	

### NOTES :

1. Start signal :

Cycle tSP = 63.5 μs, "H" period width twSP = 80 ns.

CTR signal :

Cycle tCTR = 127.0 μs, "H" period width twCTR = 63.5 μs.

Change from "H" to "L" or "L" to "H" is synchronized with start pulse during blanking period.

CK signal :

Frequency fck = 12.5 MHz (duty = 50%)

Connect VA, VB, and VC pins to VccA.

Connect all other pins to VccL.

Capacity of output load CL = 150 pF

2. Add load resistor (10 kΩ) to NOTE 1.

Load resistor is connected to GND A or VccA level as follows.

