

# BIPOLAR ANALOG INTEGRATED CIRCUIT

# $\mu$ PC1032H

030553

## DUAL LOW NOISE PREAMPLIFIER

## SILICON BIPOLAR MONOLITHIC INTEGRATED CIRCUIT

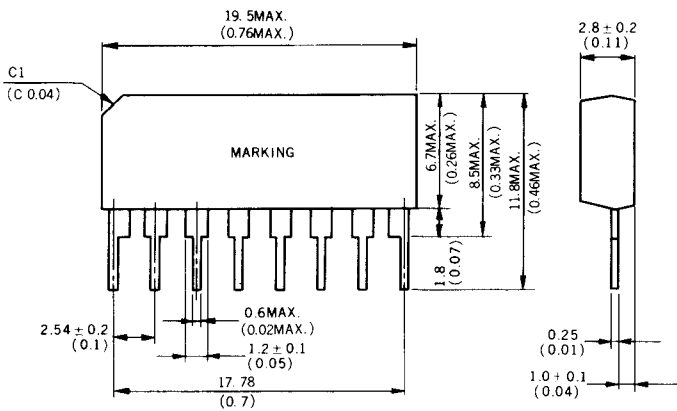
3/10/77 01/100

### DESCRIPTION

The  $\mu$ PC1032H is a silicon monolithic integrated circuit designed for use as a 2 channel preamplifier for a car stereo set. The device has features of low noise, high gain, high output voltage and wide supply voltage range. Especially, as an advanced production process is used, the device has an excellent feature of very low pulsive noise. An internal voltage regulator circuit permits the  $\mu$ PC1032H to operate satisfactorily over wide variation of supply voltage.

### PACKAGE DIMENSIONS

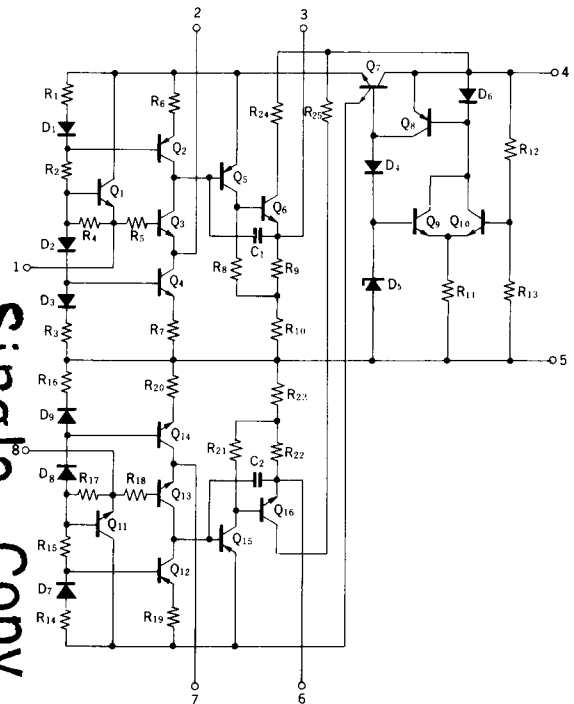
in millimeters (inches)



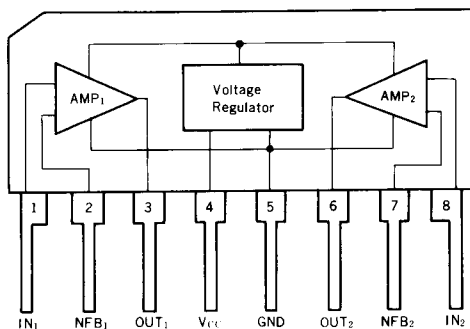
### FEATURES

- Two channel
- Wide supply voltage range
- Minimum number of external parts required
- Low noise, especially low pulsive noise
- SIP assures easy mounting on printed circuit board.

### EQUIVALENT CIRCUIT



### CONNECTION DIAGRAM



4.3  
Handle With Care

Single Copy

65

RES  
003545

ORIG

3545

NEC

NEC cannot assume any responsibility for any circuits shown or represent that they are free from patent infringement. NEC reserves the right to make changes at any time without notice in order to improve design and supply the best product possible.

### ABSOLUTE MAXIMUM RATINGS ( $T_a = 25^\circ\text{C}$ )

Supply Voltage	$V_{CC}$	18	V
Package Dissipation	$P_D$	270*	mW
Operating Temperature	$T_{opt}$	-20 to +75	$^\circ\text{C}$
Storage Temperature	$T_{stg}$	-40 to +125	$^\circ\text{C}$

\* $T_a = 75^\circ\text{C}$

### RECOMMENDED CONDITIONS ( $T_a = 25^\circ\text{C}$ )

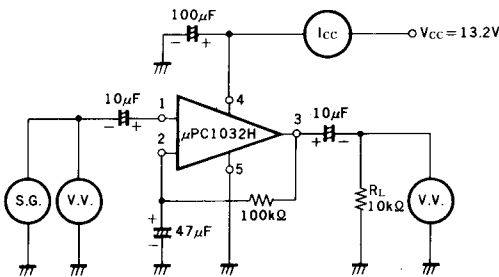
Operating Supply Voltage	$V_{CC}$	13.2	V
Supply Voltage Range	$V_{CC}$	8 to 17	V
Operating Ambient Temperature		-20 to +75	$^\circ\text{C}$
Load impedance		10 k $\Omega$ TYP.	

### ELECTRICAL CHARACTERISTICS ( $T_a = 25^\circ\text{C}$ , $V_{CC} = 13.2\text{V}$ , $f = 1\text{kHz}$ , $R_L = 10\text{k}\Omega$ )

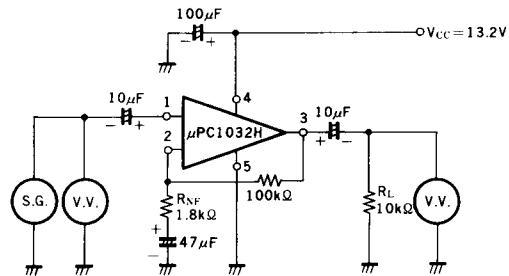
CHARACTERISTIC	SYMBOL	MIN.	TYP.	MAX.	UNIT	TEST CIRCUIT	TEST CONDITIONS
Circuit Current	$I_{CC}$		7	11.0	mA	①	$v_{in} = 0$
Open Loop Voltage Gain	$A_{vo}$	70	81		dB	①	$v_o = 0.3\text{V}$
Voltage Gain	$A_v$	33.5	35	35.5	dB	②	$v_o = 0.3\text{V}$ , $R_{NF} = 1.8\text{k}\Omega$
Maximum Output Voltage	$V_{OM}$	1.1	1.7		V	③	T.H.D. = 1%, $NAB \approx 35\text{dB}$
Total Harmonic Distortion	T.H.D.		0.1	0.3	%	③	$v_o = 0.3\text{V}$ , $NAB \approx 35\text{dB}$
Input Impedance	$r_i$	50	100		k $\Omega$	③	
Equivalent Input Noise Voltage	$v_{nin}$		1.4	2.0	$\mu\text{Vr.m.s.}$	④	$R_G = 2.2\text{k}\Omega$ , $NAB \approx 35\text{dB}$
Cross Talk			-62		dB	⑤	$v_o = 1\text{V}$ , (The other channel $v_{in} = 0$ , $R_G = 2.2\text{k}\Omega$ )
Channel Balance		-0.3	0	+0.3	dB	⑤	$v_o = 0.3\text{V}$

### TEST CIRCUITS

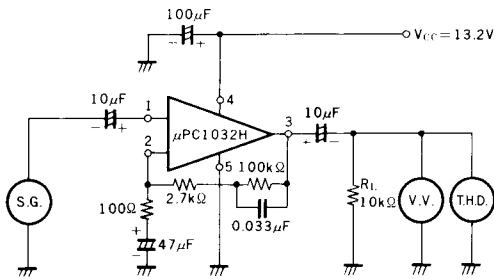
①  $I_{CC}$ ,  $A_{vo}$  Test Circuit



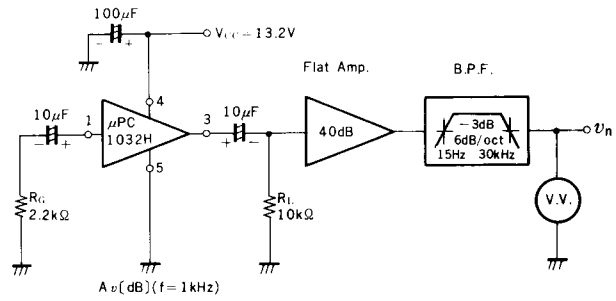
②  $A_v$  Test Circuit (for Ch. 1)



③ VOM, T.H.D.,  $r_i$  Test Circuit (for Ch. 1)

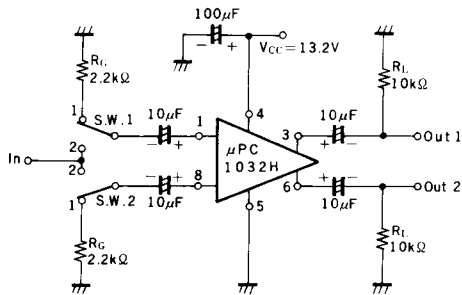


④  $v_{nin}$  Test Circuit (for Ch. 1)



$v_{nin}$  is calculated by  $v_n$  and amp. gain ( $A_v +40$  dB).  
External components of the IC are the same as the Test Circuit ③

⑤ Cross Talk, Channel Balance Test Circuit



External Components of the IC are the same as the Test Circuit ③

Cross talk Test Procedure

20 log  $Out_2/Out_1$   
Switch Position  $SW_1 \rightarrow 2, SW_2 \rightarrow 1$

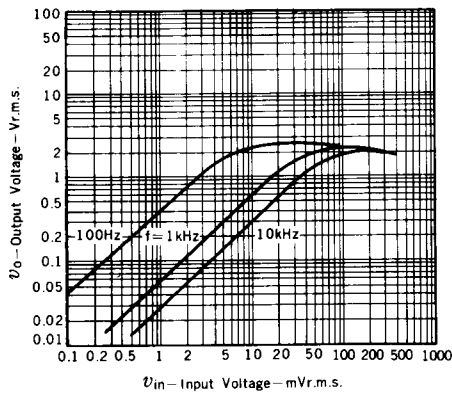
20 log  $Out_1/Out_2$   
Switch Position  $SW_1 \rightarrow 1, SW_2 \rightarrow 2$

Channel Balance Test Procedure

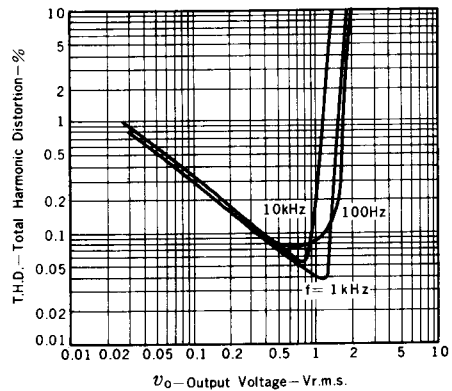
20 log  $Out_1/Out_2$   
Switch Position  $SW_1 \rightarrow 2, SW_2 \rightarrow 2$

TYPICAL CHARACTERISTICS ( $T_a = 25^\circ C$ )

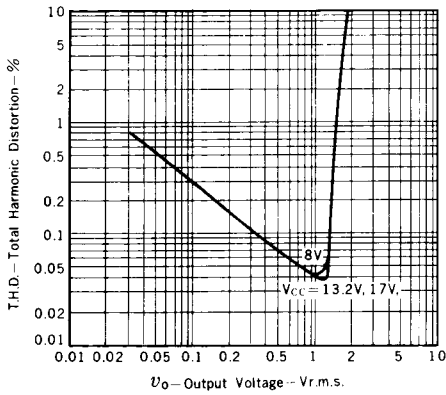
OUTPUT VOLTAGE vs. INPUT VOLTAGE (Test Circuit ③)



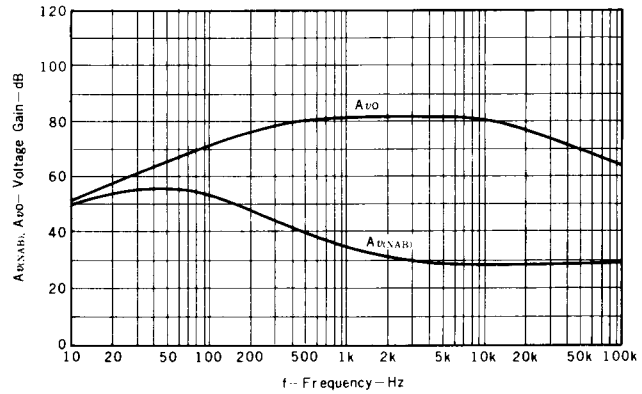
TOTAL HARMONIC DISTORTION vs. OUTPUT VOLTAGE (Test Circuit ③)



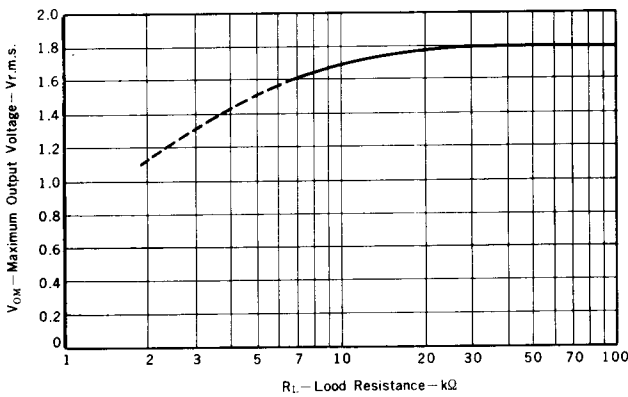
**TOTAL HARMONIC DISTORTION vs. OUTPUT VOLTAGE**  
(Test Circuit 3)



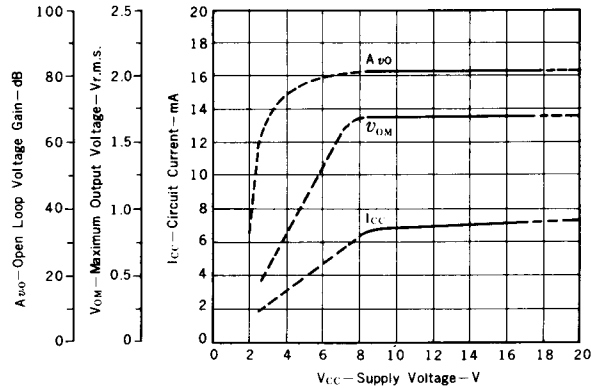
**VOLTAGE GAIN vs. FREQUENCY**  
(Test Circuit 1, 3)



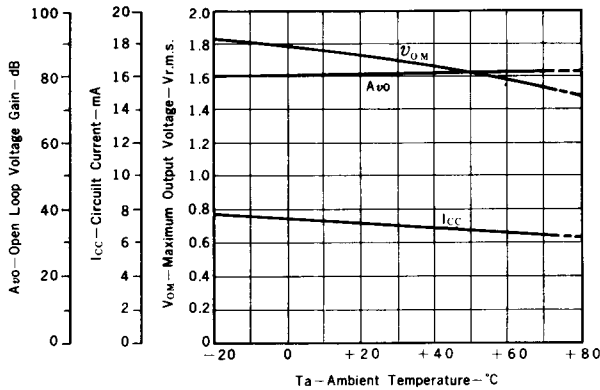
**MAXIMUM OUTPUT VOLTAGE vs. LOAD RESISTANCE**  
(Test Circuit 3)



**CIRCUIT CURRENT, MAXIMUM OUTPUT VOLTAGE, OPEN LOOP VOLTAGE GAIN vs. SUPPLY VOLTAGE**  
(Test Circuit 1, 3)

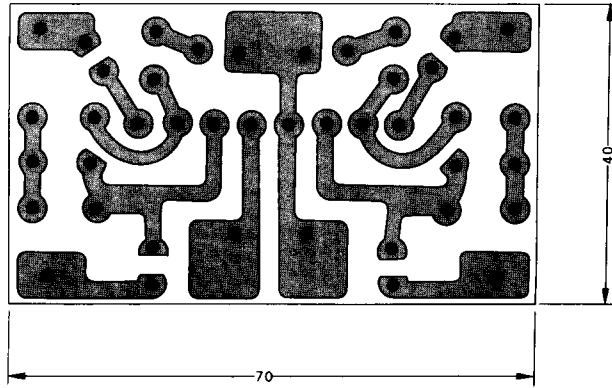


**CIRCUIT CURRENT, MAXIMUM OUTPUT VOLTAGE, OPEN LOOP VOLTAGE GAIN AMBIENT TEMPERATURE**  
(Test Circuit 1, 3)



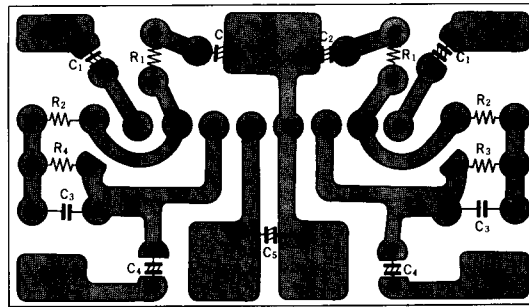
# TYPICAL PRINTED CIRCUIT BOARD PATTERN

Bottom View (Unit : millimeters)

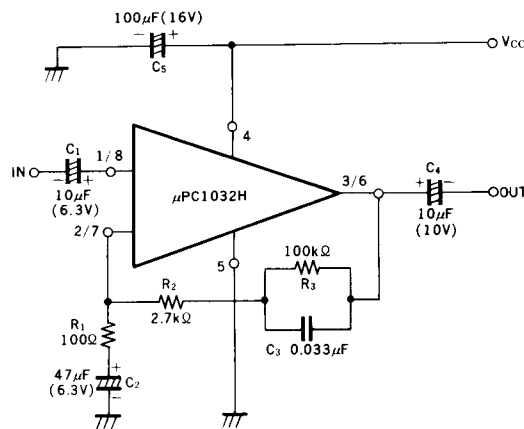
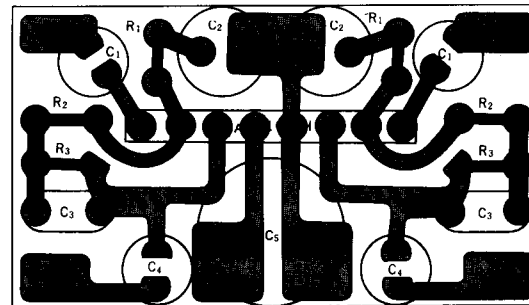


## Components Layout

Foil Side



Components Side



This datasheet has been downloaded from:

[www.DatasheetCatalog.com](http://www.DatasheetCatalog.com)

Datasheets for electronic components.