



100mA Low Dropout Voltage Regulators

PL2951-XXQ8

FEATURES

- Battery powered systems
- Cordless telephones
- Radio control systems
- Portable/Palm top/Notebook computers
- Portable consumer equipment
- Portable Instrumentation
- Avionics
- Automotive Electronics
- SMPS Post-Regulator
- Voltage Reference

APPLICATIONS

- High accuracy output voltage
- Guaranteed 100mA output
- Very low quiescent current
- Low dropout voltage
- Extremely tight load and line regulation
- Very low temperature coefficient
- Needs only 1μF for stability
- Error Flag warns of output dropout
- Logic-Controlled electronic shutdown
- Output programmable from 1.24 to 29V

PRODUCT DESCRIPTION

The PL2951-XX is a low power voltage regulator. This device excellent choice for use in battery powered application such as cordless telephone, radio control systems, and portable computers.

The PL2951-XX features very low quiescent current (75μA Typ.) and very low drop output voltage (Typ. 40mV at light load and 380mV at 100mA). This includes a tight initial tolerance of 0.5% typ., extremely good load and line regulation of 0.05% typ., and very low output temperature coefficient, making the PL2951-XX useful as a low-power voltage reference.

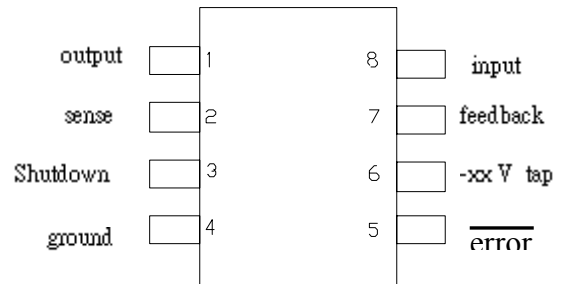
The error flag output feature is used as power-on reset for warn of a low output voltage, due to following batteries on input. Other feature is the logic-compatible shutdown input which enable the regulator to be switched on and off.

The PL2951-XX is available in 8-pin plastic packages. The regulator output voltage may be pin-strappeded for a -XX volt or programmed from 1.24 volt to 29 volts with external pair of resistors.

Absolute Maximum Ratings

Power Dissipation	Internally Limited
Lead Temperature (Soldering, 5 seconds)	260°C
Storage Temperature Range	-65°C to +150°C
Operating Junction Temperature Range	-55°C to +150°C
Input Supply Voltage	-0.3 to +30V
Feedback Input Voltage	-1.5 to +30V
Shutdown Input Voltage	-0.3 to +30V
Error Comparator Output	-0.3 to +30V

Pin Connection





Device Selection Guide

Vout, Volts	Device
2.85*	PL2951-2.85
3.0	PL2951-3.0
3.3	PL2951-3.3
5.0	PL2951-5.0

* - other versions are also available

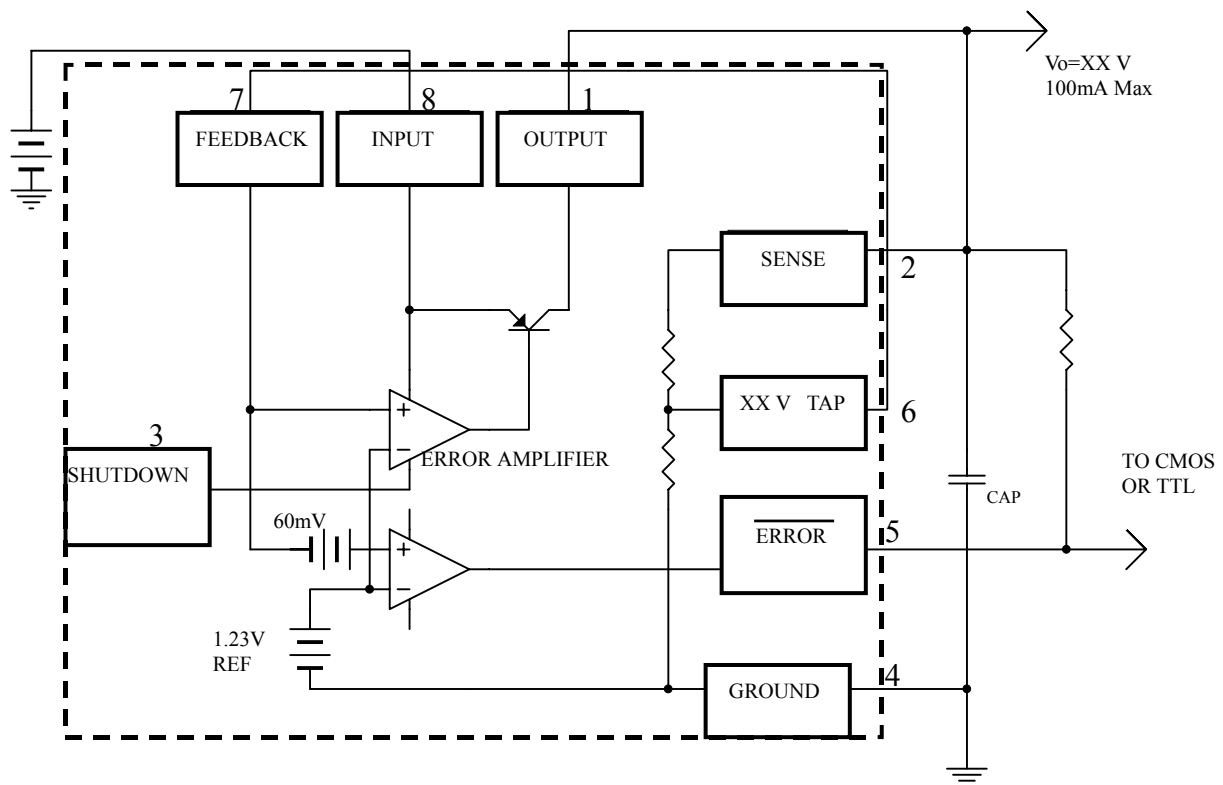
Vout = 2.0V to 5.0V. Please consult factory for more information

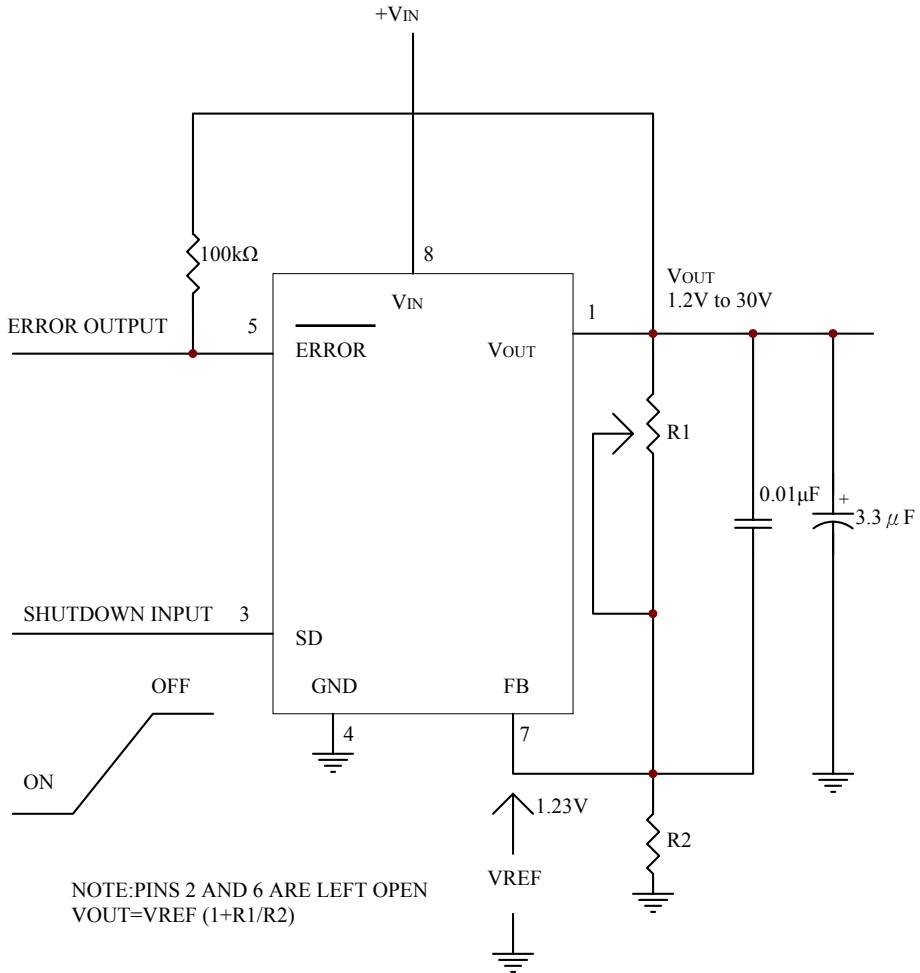
ELECTRICAL CHARACTERISTICS (at Ta =25°C, =15V; unless otherwise noted)

Parameter	Conditions(Note 2)	Min	Typ	Max	Units
Output Voltage	-25°C ≤ Tj ≤ 85°C	0.985 Vo	Vo	1.015 Vo	V
	Full Operating Temperature	0.98 Vo		1.02 Vo	
Output Voltage	100 μA ≤ IL ≤ 100mA, Tj ≤ TjMAX	0.976 Vo	Vo	1.024 Vo	
Output Voltage Temperature Coefficient	(Note 1)	-	50	150	ppm/°C
Line Regulation(Note 3)	Vo+1V ≤ Vin ≤ 30V(Note 4)	-	0.04	0.4	%
Load Regulation(Note 3)	100 μA ≤ IL ≤ 100mA	-	0.1	0.3	%
Dropout Voltage(Note 5)	IL=100 μA	-	50	80	mV
	IL=100mA		380	450	
Ground Current	IL=100 μA	-	75	120	MA
	IL=100mA		8	12	mA
Dropout Ground Current	Vin=Vo-0.5V, IL=100 μA	-	110	170	μA
Current Limit	Vout=0	-	160	200	mA
Thermal Regulation		-	0.05	0.2	%/W
Output Noise, 10Hz to 100KHz	CL=1 μF	-	430	-	μVrms
	CL=200 μF		160		
	CL=3.3 μF		100		
	(Bypass=0.01 μF, pins 7 to 1)				
Reference Voltage		1.21	1.235	1.26	V
Reference Voltage	Over Temperature(Note 6)	1.185	-	1.285	
Feedback Pin Bias Current		-	20	40	nA
Reference Voltage Temperature Coefficient	(Note 7)	-	50	-	ppm/°C
Feedback Pin Bias Current Temperature Coefficient		-	0.1	-	nA/°C
Error Comparator					
Output Leakage Current	Voh=30V	-	0.01	1.0	μA
Output Low Voltage	Vin=4.5V, IOL=400 μA	-	150	250	mV
Upper Threshold Voltage	(Note 8)	40	60	-	
Lower Threshold Voltage	(Note 8)	-	75	95	
Hysteresis	(Note 8)	-	15	-	
Shutdown Input					
Input Logic Voltage	Low(Regulator ON)	-	1.3	0.7	V
	High(Regulator OFF)	2	-	-	
Shutdown Pin Input Current	Vs=2.4V	-	30	50	
	Vs=30V	-	450	600	
Regulator Output Current in Shutdown	(Note 9)	-	-	-	μA
	VOUT=5V	-	3	10	
	3.3V ≤ VOUT ≤ 5.0V	-	-	20	
	2.0V ≤ VOUT ≤ 3.3V	-	-	30	

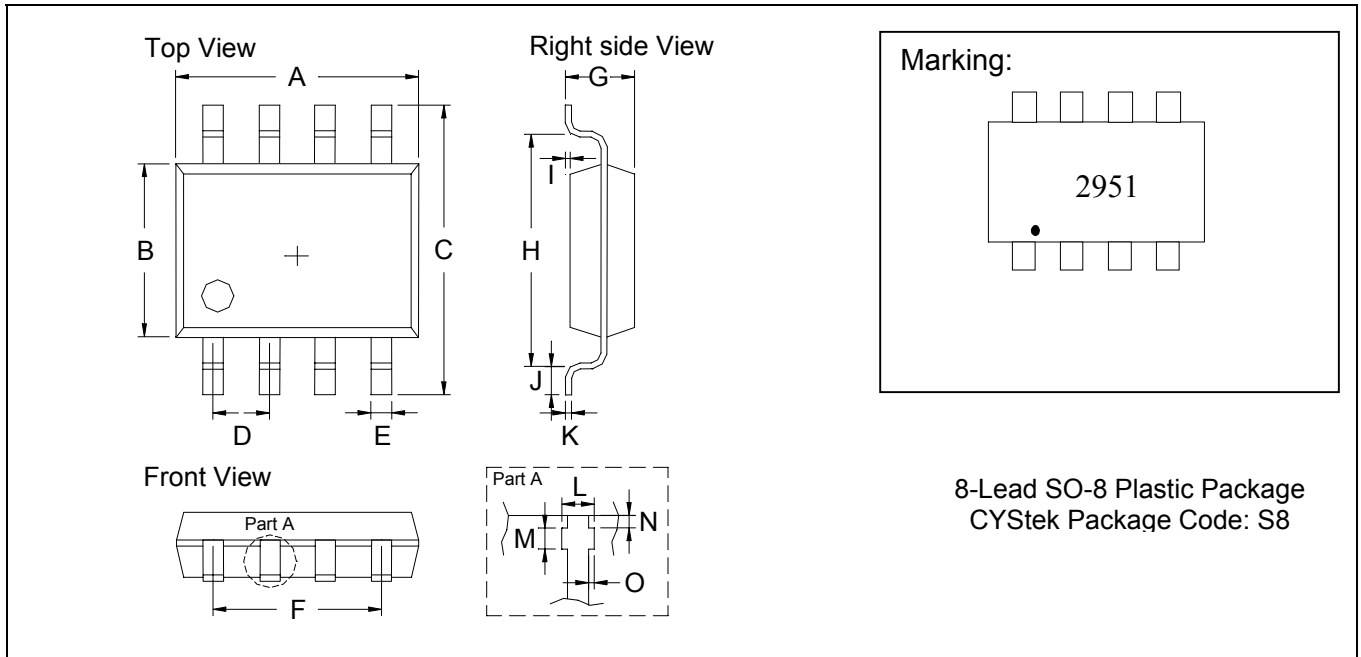
- Note 1: Output or reference voltage temperature coefficients defined as the worse case voltage change divided by the total temperature range.
- Note 2: Unless otherwise specified all limits guaranteed for $T_J=25^\circ\text{C}$, $V_{in}=V_o+1\text{V}$, $I_L=100\ \mu\text{A}$ and $C_L=1\ \mu\text{F}$. Feedback pin tied to $-XX\ \text{V}$ tap pin and output tied to output sense ($V_{out}=XX\ \text{V}$) and $V_{shutdown}\leq 0.8\text{V}$.
- Note 3: Regulations is measured at constant junction temperature, using pulse testing with a low duty cycle. Changes in output voltage due to heating effects are covered under the specification for thermal regulation.
- Note 4: Line regulation is tested at 150°C for $I_L=1\text{mA}$. For $I_L=100\ \mu\text{A}$ and $T_J=125^\circ\text{C}$, line regulation is guaranteed by design to 0.2%.
- Note 5: Dropout voltage is defined as the input to output differential at which the output voltage drops 100mV below its nominal value measured at 1V differential. At very low values of programmed output voltage, the minimum input supply voltage of 2V(2.3V over temperature) must be taken into account.
- Note 6: $V_{ref}\leq V_{out}\leq (V_{in}-1\text{V})$, $2.3\text{V}\leq V_{in}\leq 30\text{V}$, $100\ \mu\text{A}\leq I_L\leq 100\text{mA}$, $T_J\leq T_{JMAX}$.
- Note 7: Output or reference voltage temperature coefficient is defined as the worst case voltage change divided by the total temperature range.
- Note 8: Comparator thresholds are expressed in terms of a voltage differential at the feedback terminal below the nominal reference voltage measured at $V_o+1\text{V}$ input. To express these thresholds in terms of output voltage change, multiply by the error amplifier gain = $V_{out}/V_{in}=(R1+R2)/R2$. For example, at a programmed output voltage of 5V, the error output is guaranteed to go low when the output drops by $95\text{mV}\times 5\text{V}/1.235=384\text{mV}$. Thresholds remain constant as a percent of V_{out} as V_{out} is varied, with the dropout warning occurring at typically 5% below nominal, 7.5% guaranteed.
- Note 9: $V_{shutdown}\geq 2\text{V}$, $V_{in}\leq 30\text{V}$, $V_{out}=0$, feedback pin tied to $-XX\ \text{V}$ tap.

Block Diagram and Typical Applications





SO-8 Dimension



*: Typical

DIM	Inches		Millimeters		DIM	Inches		Millimeters	
	Min.	Max.	Min.	Max.		Min.	Max.	Min.	Max.
A	0.1909	0.2007	4.85	5.10	I	0.0019	0.0078	0.05	0.20
B	0.1515	0.1555	3.85	3.95	J	0.0118	0.0275	0.30	0.70
C	0.2283	0.2441	5.80	6.20	K	0.0074	0.0098	0.19	0.25
D	0.0480	0.0519	1.22	1.32	L	0.0145	0.0204	0.37	0.52
E	0.0145	0.0185	0.37	0.47	M	0.0118	0.0197	0.30	0.50
F	0.1472	0.1527	3.74	3.88	N	0.0031	0.0051	0.08	0.13
G	0.0570	0.0649	1.45	1.65	O	0.0000	0.0059	0.00	0.15
H	0.1889	0.2007	4.80	5.10					

- Notes: 1. Controlling dimension: millimeters.
 2. Maximum lead thickness includes lead finish thickness, and minimum lead thickness is the minimum thickness of base material.
 3. If there is any question with packing specification or packing method, please contact your local CYStek sales office.

Material:

- Lead: 42 Alloy; solder plating
- Mold Compound: Epoxy resin family, flammability solid burning class: UL94V-0

Important Notice:

- All rights are reserved. Reproduction in whole or in part is prohibited without the prior written approval of CYStek.
- CYStek reserves the right to make changes to its products without notice.
- CYStek **semiconductor products are not warranted to be suitable for use in Life-Support Applications, or systems.**
- CYStek assumes no liability for any consequence of customer product design, infringement of patents, or application assistance.