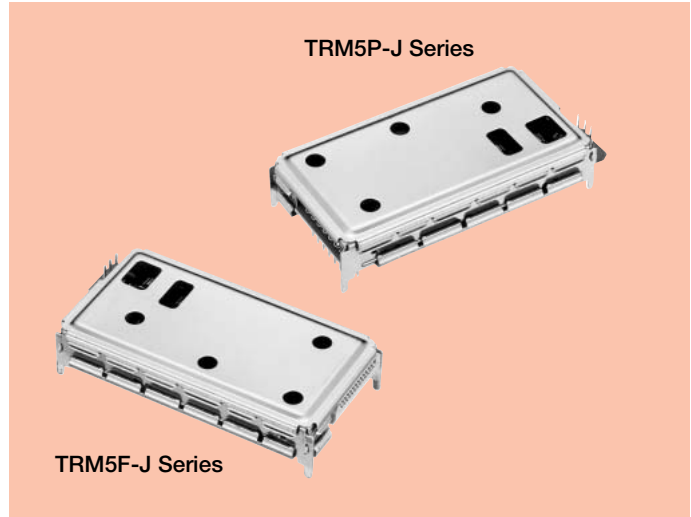


RF Module for Cordless Telephone in Japan Use TRM5P/F-J Series

Telecommunication component

OUTLINE

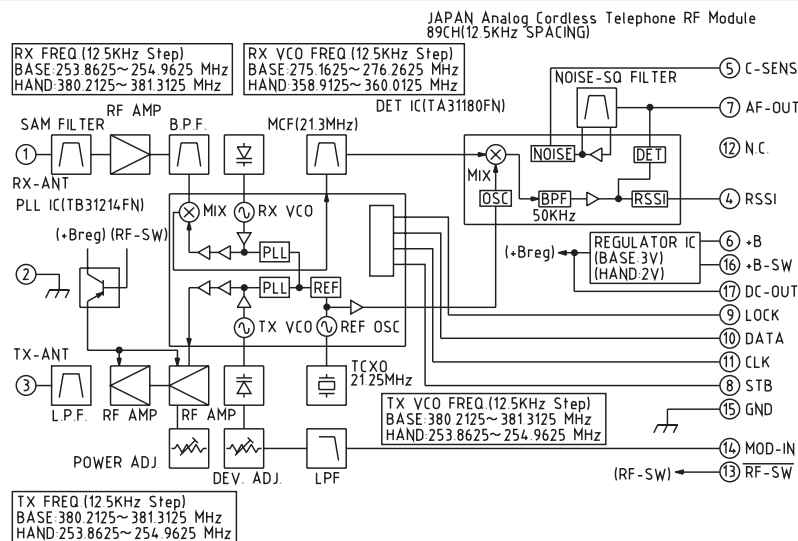
The MITSUMI TRM5P/F-J series have been developed by modifying the transmitting/receiving circuit, audio modulator and demodulator circuit, and PLL circuit of the Japanese market-oriented small power cordless telephones into compact and light weight modules.



FEATURES

1. Low power consumption cordless telephone for domestic use. (Frequency bands used 250MHz and 380MHz).
2. Achieves 13cc capacity.
3. Ultra-small, Ultra-thin (53×28×9).
4. Light weight, at 18g
5. Two types of mounting configurations are available : the board mounting type (TRM5P) and FPC connector type (TRM5F).
6. Low current consumption and low voltage operation. (Built-in 2V regulator) Also, the design supports uniaxial and bi-axial antennas.

TRM5P/F-J BLOCK DIAGRAM

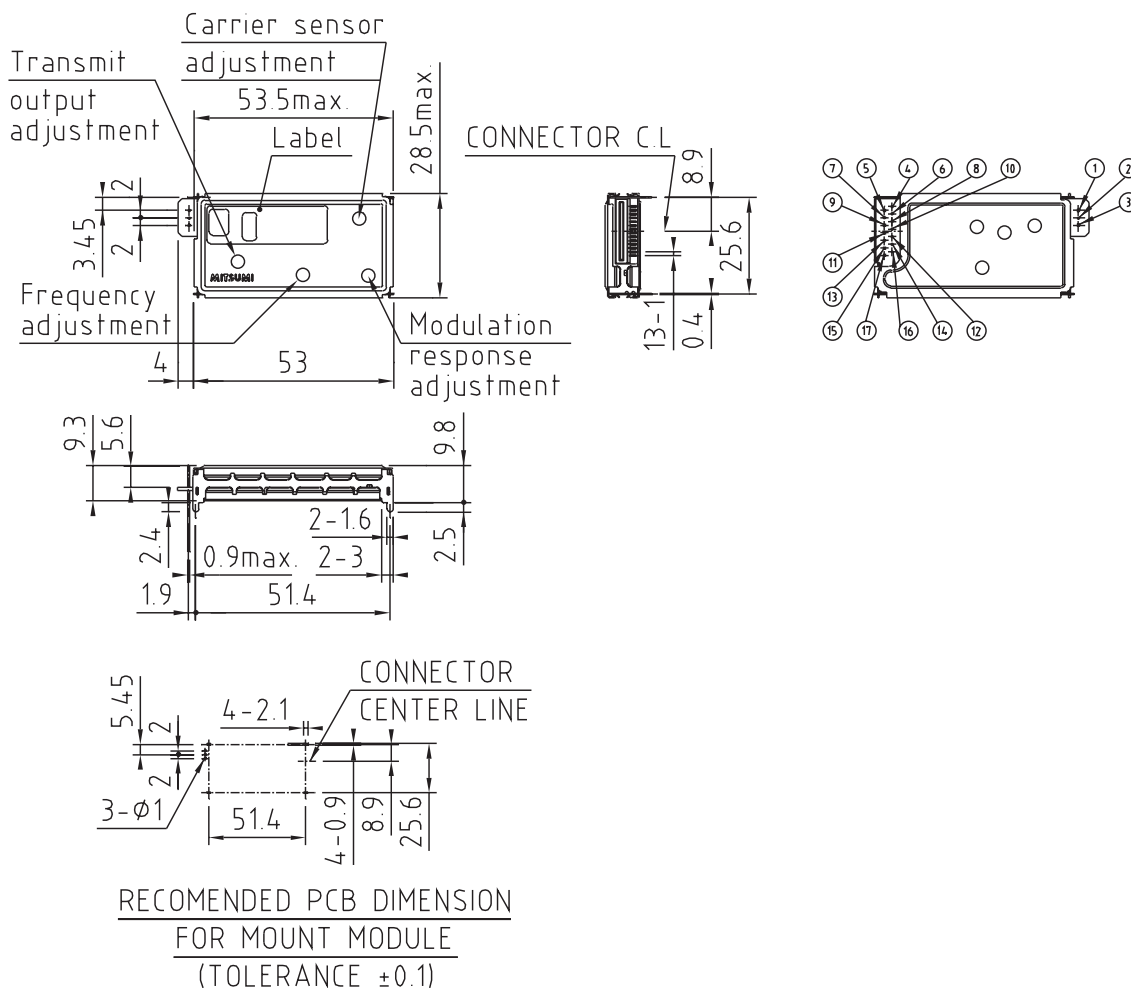


SPECIFICATIONS

Item	Specifications		Unit
	BASE	HAND	
Standard Voltage	3.5	2.4	V
Current Consumption	Communication 64/ Stand-by 24	Communication 52/ Stand-by 21	mA
Weight	18		g
RECEIVER			
Reference Sensitivity	-4	-2	dB μ V
Signal to Noise Ratio	50		dB
Total Harmonic Distortion	1		%
Spurious Response	60		dB
Spurious Emissions	-65		dBm
Adjacent Channel Selectivity	63	60	dB
Audio Output Level	140		mVrms
TRANSMITTER			
Carrier Power	10		mW
Frequency Error	± 3.8 (max.)		ppm
Spurious Emissions	-50		dBm
Total Harmonic Distortion	0.4		%
Signal to Noise Ratio	45		dB
*Audio FM Deviation	1.5		kHz

*Audio Input Level : 100mVrms.

DIMENSIONS



Unit : mm