


# SMD Type Tuning Fork Crystal Resonators

## DST520



Actual size 

### ■ Features

- SMD tuning fork crystal resonator with size 4819 and thickness 0.8mm. Miniature and thin.
- High precision and reliability with ceramic package.
- Suitable for various applications, particularly mobile telecommunications equipment.

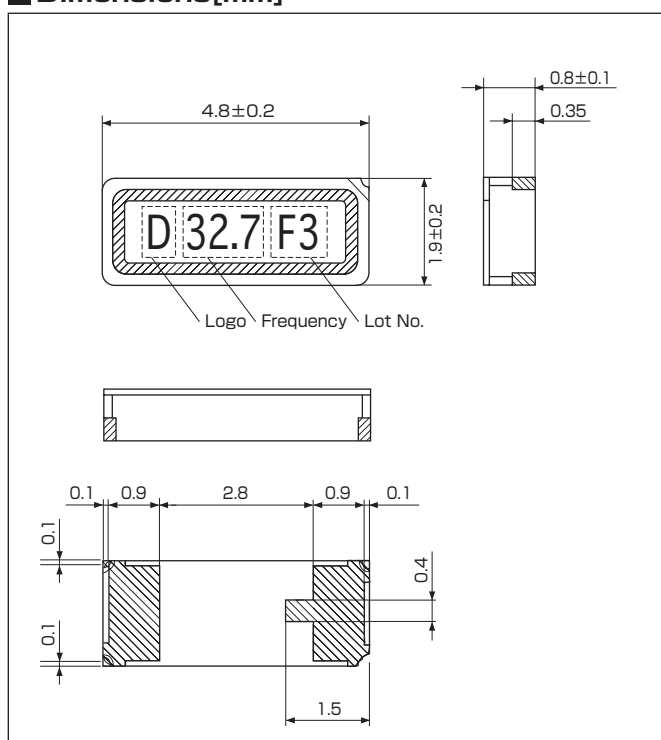
### ■ Generic Specification

Item	Type	DST520
Frequency Range		32.768kHz (30~153.6kHz)
Vibration Mode		Fundamental
Load Capacitance		Series, 7pF, 8pF, 10pF, 12pF, 12.5pF
Drive Level		1.0μ±0.2μW
Frequency Tolerance		±20×10 <sup>-6</sup> , ±30×10 <sup>-6</sup>
Series Resistance		50kΩ Typ. (80kΩ max.)
Parabolic Temperature		+25°C±5°C
Two Dimensional Temperature Constant		-0.04×10 <sup>-6</sup> /°C <sup>2</sup> max.
Operating Temperature Range		-40°C~+85°C
Storage Temperature Range		-40°C~+85°C
Shunt Capacitance		1.15pF Typ.

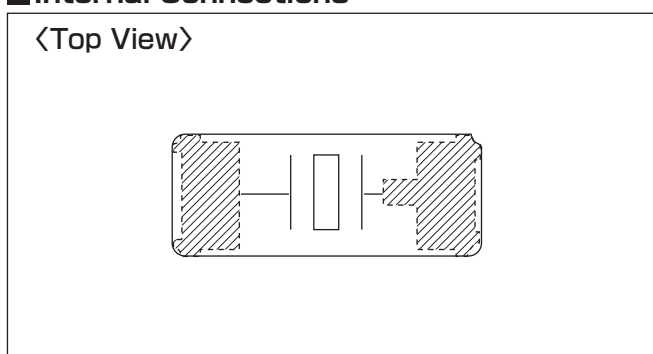
Packing Unit : 3000pcs./reel (φ 180)

Consult our sales representative for other specifications.

### ■ Dimensions [mm]



### ■ Internal Connections



### ■ Recommended Land Pattern [mm]

