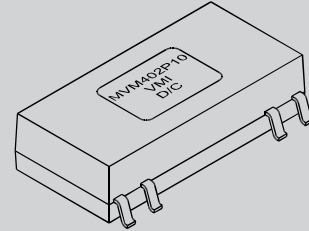
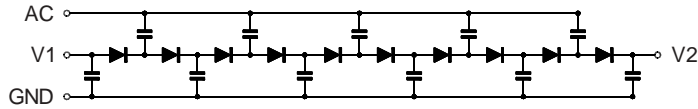


4000 V Miniature Hybrid Multiplier

0.0 μ A - 200.0 μ A Output Current
10 Stages

MVM402P10



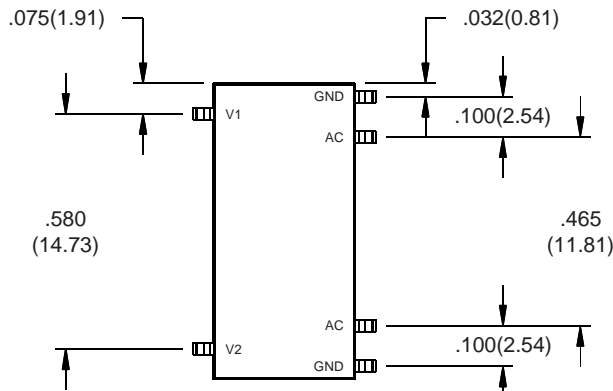
ELECTRICAL CHARACTERISTICS AND MAXIMUM RATINGS

Part Number	Maximum A.C. Input Voltage	Maximum D.C. Output Voltage	Maximum D.C. Output Voltage (Two Multipliers in Series)	Typical Output Current Range (1)	Typical Frequency	Number of Stages
	V_{PP}	V_{DC}	V_{DC}	μ A	kHz	
MVM402P10	900	4000	6000	0.0 - 200.0	10 - 100	10

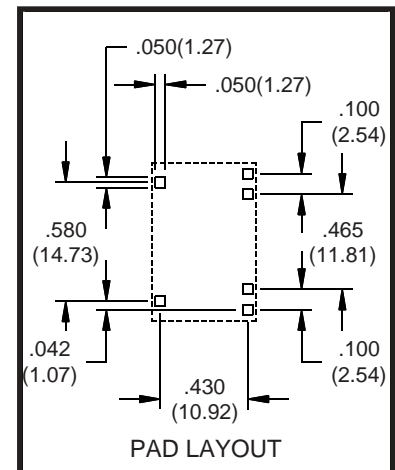
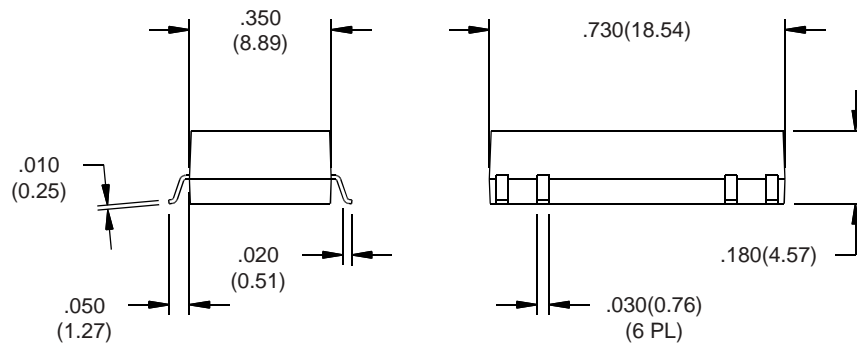
Operating Temp: -55°C to +150°C

Storage Temp: -65°C to +150°C

(1) Refer to load lines on next page.



Plating:
200-300 μ in 90/10 tinlead over 50 μ in nickel.



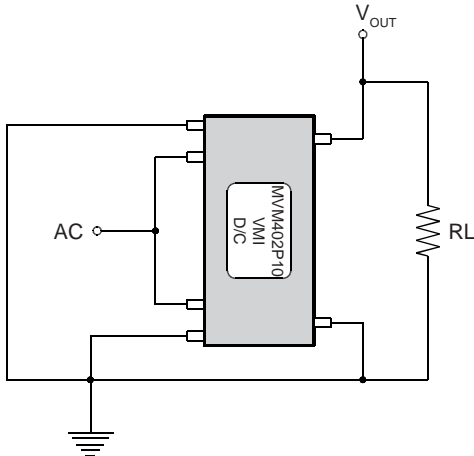
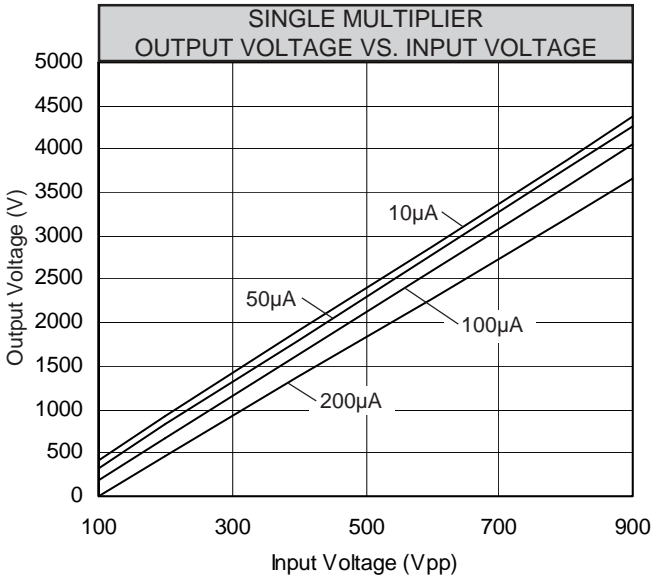
Dimensions: In. (mm) • All temperatures are ambient unless otherwise noted. • Data subject to change without notice.



VOLTAGE MULTIPLIERS INC.
8711 W. Roosevelt Ave.
Visalia, CA 93291

TEL 559-651-1402
FAX 559-651-0740
www.voltagemultipliers.com

MVM402P10



Typical Single Multiplier Circuit