

### FEATURES

**Internally Matched to 50  $\Omega$  Input and Output**  
**Third Order Output Intercept 43 dBm**  
**P1dB 28 dBm**  
**Operational frequency of 1.7 GHz to 2.4 GHz**  
**Gain 20 dB**  
**Noise Figure 4.5 dB**  
**Internal Biasing & AC Coupling**  
**3x3mm LFCSP**  
**Power supply: 5V**

### APPLICATIONS

**Single-Carrier and Multi-Carrier Base Station Transceivers**  
**Linear Power Amplifiers**

### GENERAL DESCRIPTION

The ADL5323 is a high linearity GaAs driver amplifier that is internally matched to 50 Ohms for operation in the 1700 MHz to 2400 MHz frequency range. The amplifier, which has a gain of 20 dB, has been specially designed for use in the output stage of a cellular base station radio or as an input pre-amplifier in a multi-carrier base station power amplifier. Matching, biasing as well as input and output coupling are all on-chip. The ADL5323 is available in a 3mm x 3mm 8-pin Chip scale package. The ADL5323 is available in a Pb-free 3mm x 3mm 8-pin Chip Scale Package with an operating temperature of -40°C to +85°C.

### FUNCTIONAL BLOCK DIAGRAM

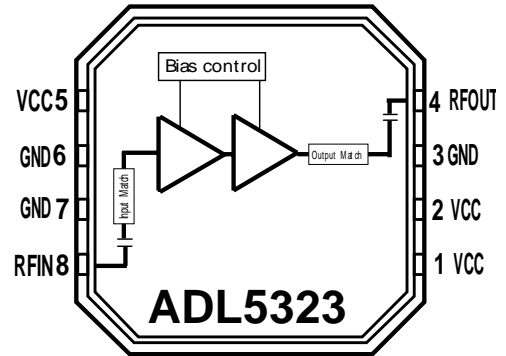


Figure 1.

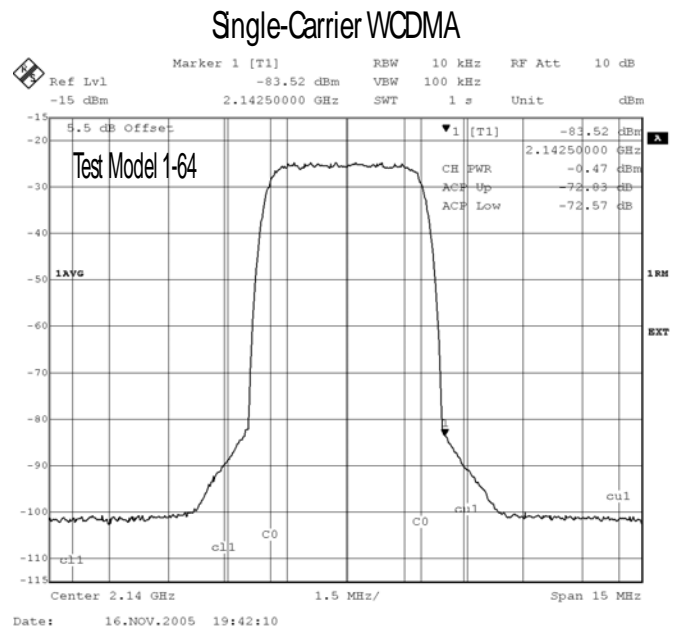


Figure 2. ACPR WCDMA Single Carrier Spectral Plot, Test Model 1-64, 2140 MHz without noise floor correction

### Rev. PrC 5.1.06

Information furnished by Analog Devices is believed to be accurate and reliable. However, no responsibility is assumed by Analog Devices for its use, nor for any infringements of patents or other rights of third parties that may result from its use. Specifications subject to change without notice. No license is granted by implication or otherwise under any patent or patent rights of Analog Devices. Trademarks and registered trademarks are the property of their respective owners.

## SPECIFICATIONS

$V_{CC} = 5\text{ V}$ ,  $T_A = 25^\circ\text{C}$

Table 1.

| Parameter             | Conditions   | Min                          | Typ        | Max  | Unit             |
|-----------------------|--|------------------------------|------------|------|------------------|
| OVERALL FUNCTION      |  |                              |            |      |                  |
| Frequency Range       |  | 1700                         |            | 2400 | MHz              |
| Gain                  | Freq = 1960 MHz  |                              | 20.5       |      | dB               |
|                       | vs. Frequency 1930 MHz to 1990 MHz                             |                              | $\pm 0.25$ |      | dB               |
|                       | vs. Temperature, $-40^\circ\text{C}$ to $+85^\circ\text{C}$    |                              | $\pm 1.25$ |      | dB               |
|                       | vs. Voltage 5V, @ 5% (4.75V – 5.25V)                           |                              | $\pm 0.1$  |      | dB               |
|                       | Freq = 2140 MHz  |                              | 19         |      | dB               |
|                       | vs. Frequency 2110 MHz to 2170 MHz                             |                              | $\pm 0.25$ |      | dB               |
| P1dB                  | vs. Temperature, $-40^\circ\text{C}$ to $+85^\circ\text{C}$    |                              | $\pm 1.5$  |      | dB               |
|                       | vs. Voltage 5V, @ 5% (4.75V – 5.25V)                           |                              | $\pm 0.1$  |      | dB               |
|                       | Freq = 1960 MHz  |                              | 28         |      | dBm              |
|                       | Vs. Freq, 1930 MHz to 1990 MHz                                 |                              | $\pm 0.1$  |      | dBm              |
|                       | vs. Temperature, $-40^\circ\text{C}$ to $+85^\circ\text{C}$    |                              | $\pm 1$    |      | dBm              |
|                       | vs. Voltage 5V, @ 5% (4.75V – 5.25V)                           |                              | $\pm 1$    |      | dB               |
| Noise Figure          | Freq = 2140 MHz  |                              | 28         |      | dB               |
|                       | vs. Freq = 2110 MHz to 2170 MHz                                |                              | $\pm 0.25$ |      | dB               |
|                       | vs. Temperature, $-40^\circ\text{C}$ to $+85^\circ\text{C}$    |                              | $\pm 1$    |      | dBm              |
|                       | vs. Voltage 5V, @ 5% (4.75V – 5.25V)                           |                              | $\pm 1$    |      | dBm              |
|                       | Freq = 1930 MHz to 1990 MHz                                    |                              | 4.4        |      | dB               |
|                       | Freq = 2110 MHz to 2170 MHz                                    |                              | 4.6        |      | dB               |
| Input Return Loss     | Freq = 1930 MHz to 1990 MHz                                    |                              | -18        |      | dB               |
|                       | Freq = 2110 MHz to 2170 MHz                                    |                              | -18        |      | dB               |
| Output Return Loss    | Freq = 1930 MHz to 1990 MHz                                    |                              | -13        |      | dB               |
|                       | Freq = 2110 MHz to 2170 MHz                                    |                              | -20        |      | dB               |
| OIP3                  | Carrier Spacing = 1 MHz, $P_{out} = +5\text{ dBm}$ per carrier |                              |            |      |                  |
|                       | Freq = 1960 MHz  |                              | 42.5       |      | dBm              |
|                       | vs. Frequency 1930 MHz to 1990 MHz                             |                              | $\pm 0.5$  |      | dB               |
|                       | vs. Temperature, $-40^\circ\text{C}$ to $+85^\circ\text{C}$    |                              | -1         |      | dB               |
|                       | vs. Voltage, 4.75 V to 5.25 V                                  |                              | $\pm 1$    |      | dB               |
|                       | Freq = 2140 MHz  |                              | 43.5       |      | dBm              |
|                       | vs. Frequency 2110 MHz to 2170 MHz                             |                              | $\pm 0.5$  |      | dB               |
|                       | vs. Temperature, $-40^\circ\text{C}$ to $+85^\circ\text{C}$    |                              | -1         |      | dB               |
|                       | vs. Voltage, 4.75 V to 5.25 V                                  |                              | $\pm 2$    |      | dB               |
|                       | Supply Voltage   | Operating range 5VDC +/- 10% | 4.75       | 5    | 5.25             |
| Supply Current        | $P_{out} = +5\text{ dBm}$                                      |                              | 320        |      | mA               |
| Operating Temperature |  | -40                          |            | +85  | $^\circ\text{C}$ |

## ABSOLUTE MAXIMUM RATINGS

Table 2.

| Parameter                                    | Rating          |
|--|-----------------|
| Supply Voltage, VPOS                         | 5 V             |
| Input Power (re: 50 $\Omega$ )               | 18 dBm          |
| Equivalent Voltage                           | 1.8V rms        |
| $\theta_{jc}$ (Paddle Soldered)              | 28.5°C/W        |
| Maximum Junction Temperature                 | 150°C           |
| Operating Temperature Range                  | -40°C to +85°C  |
| Storage Temperature Range                    | -65°C to +150°C |
| Lead Temperature Range<br>(Soldering 60 sec) | 240°C           |

Stresses above those listed under Absolute Maximum Ratings may cause permanent damage to the device. This is a stress rating only; functional operation of the device at these or any other conditions above those indicated in the operational section of this specification is not implied. Exposure to absolute maximum rating conditions for extended periods may affect device reliability.

### ESD CAUTION

ESD (electrostatic discharge) sensitive device. Electrostatic charges as high as 4000 V readily accumulate on the human body and test equipment and can discharge without detection. Although this product features proprietary ESD protection circuitry, permanent damage may occur on devices subjected to high energy electrostatic discharges. Therefore, proper ESD precautions are recommended to avoid performance degradation or loss of functionality.



## PIN CONFIGURATION AND FUNCTION DESCRIPTIONS

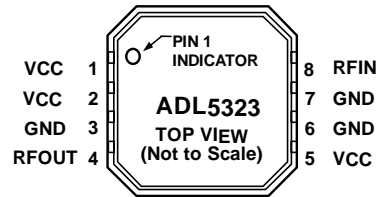


Figure 3. Pin Configuration

Table 3. Pin Function Descriptions

| Pin No. | Mnemonic | Description  |
|---------|----------|--|
| 1,2,5   | VCC      | <b>Positive 5 V Supply Voltage:</b> Bypass these three pins with independent power supply decoupling networks (100 pF, 10 nF, and 10 $\mu$ F). |
| 3,6,7   | GND      | <b>Device Ground</b>   |
| 4       | RFOUT    | <b>RF Output:</b> Internally dc blocked and matched to 50 $\Omega$ .   |
| 8       | RFIN     | <b>RF Input:</b> Internally dc blocked and matched to 50 $\Omega$ .  |
|         | EP       | <b>Exposed Paddle:</b> Connect to ground plane via a low impedance path  |

### TYPICAL PERFORMANCE CHARACTERISTICS

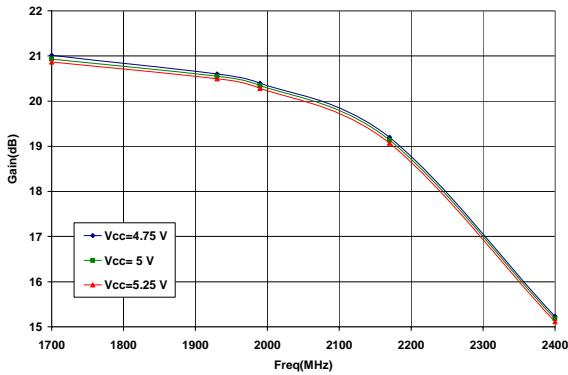


Figure 4. Gain vs. Frequency,  $V_{cc} = 4.75\text{ V}$ ,  $5\text{ V}$ , and  $5.25\text{ V}$ ,  $T_A = 25^\circ\text{C}$

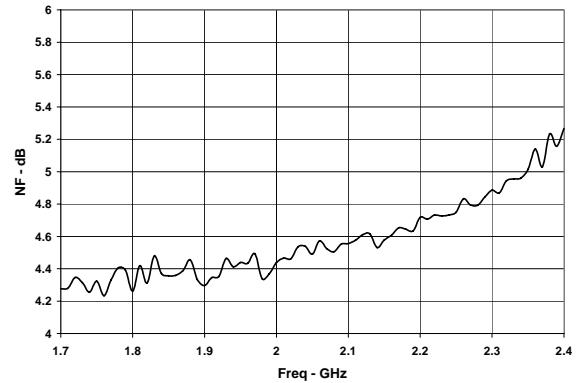


Figure 7. Noise Figure vs. Frequency,  $V_{cc} = 5\text{ V}$ ,  $T_A = 25^\circ\text{C}$

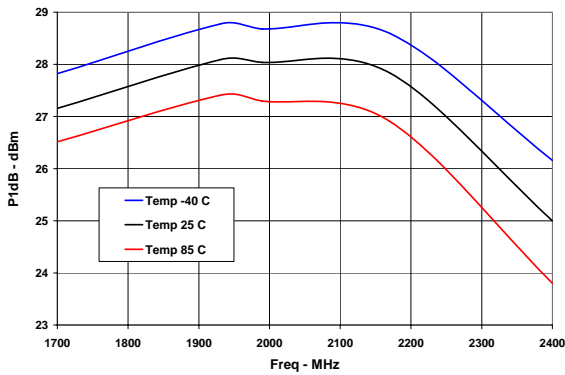


Figure 5.  $P_{1\text{dB}}$  vs. Frequency and Temperature,  $V_{cc} = 5\text{ V}$ ,  $T_A = -40^\circ\text{C}$ ,  $+25^\circ\text{C}$ , and  $+85^\circ\text{C}$

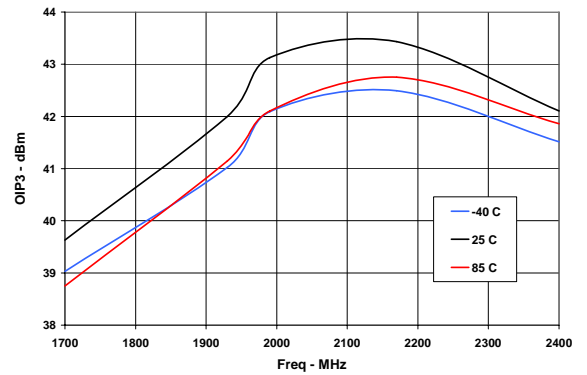


Figure 8.  $OIP3$  vs. Frequency and Temperature,  $V_{cc} = 5\text{ V}$ ,  $T_A = -40^\circ\text{C}$ ,  $+25^\circ\text{C}$  &  $+85^\circ\text{C}$

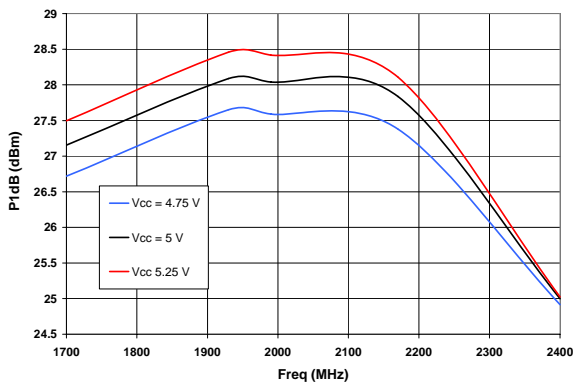


Figure 6.  $P_{1\text{dB}}$  vs. Frequency and Supply,  $V_{cc} = 4.75\text{ V}$ ,  $5\text{ V}$ , and  $5.25\text{ V}$ ,  $T_A = 25^\circ\text{C}$

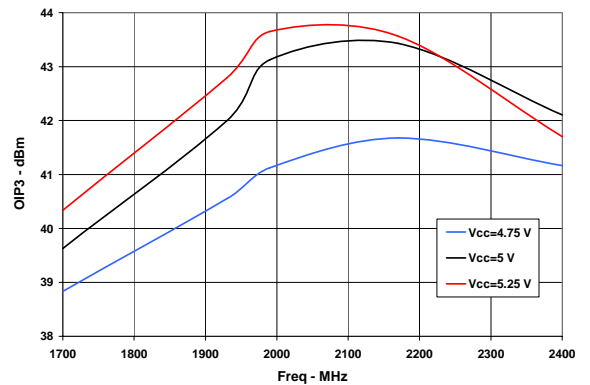


Figure 9.  $OIP3$  vs. Frequency and Supply,  $V_{cc} = 4.75\text{ V}$ ,  $5\text{ V}$  &  $5.25\text{ V}$ ,  $T_A = 25^\circ\text{C}$

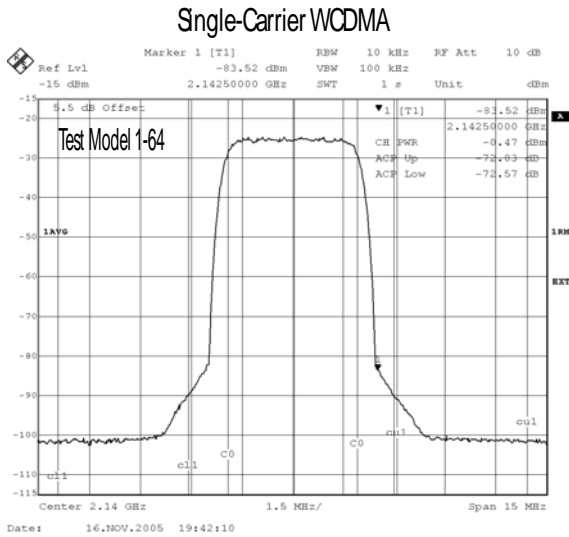


Figure 10. ACPW WCDMA Single Carrier Spectral Plot, Test Model 1-64, 2140 MHz without noise floor correction

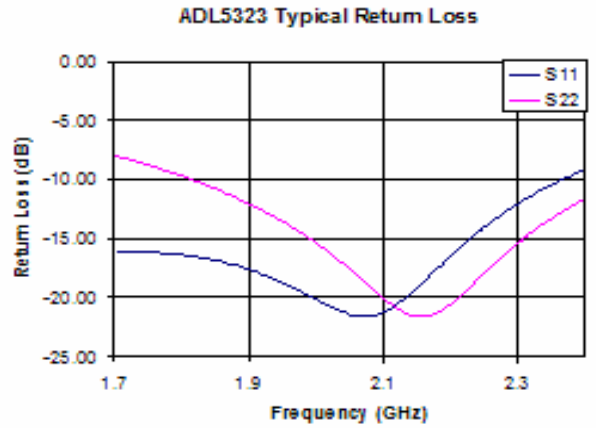


Figure 12. Input and Output Return Loss

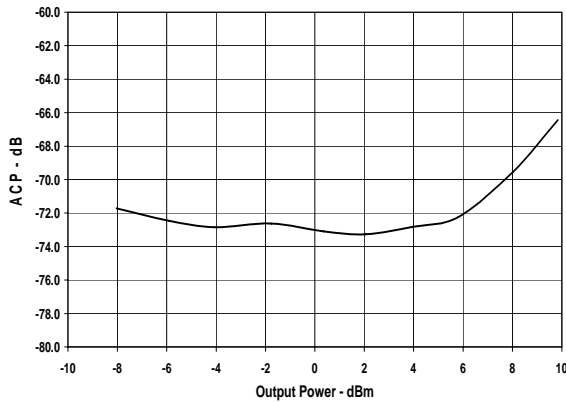


Figure 11. Adjacent Channel Power Ratio vs. Pout @ 2140 MHz, Single Carrier WCDMA, Test Model 1-64.

### EVALUATION BOARD

Figure 3. shows the schematic of the ADL5323 evaluation board. The board is powered by a single supply in the 4.75 V to 5.25 V range. The power supply is decoupled by a 10  $\mu$ F and a

100 pF capacitors. See table 4 for evaluation board component values. Note that all three Vcc pins (pins 1,2,5) should be independently bypassed as shown above for proper operation.

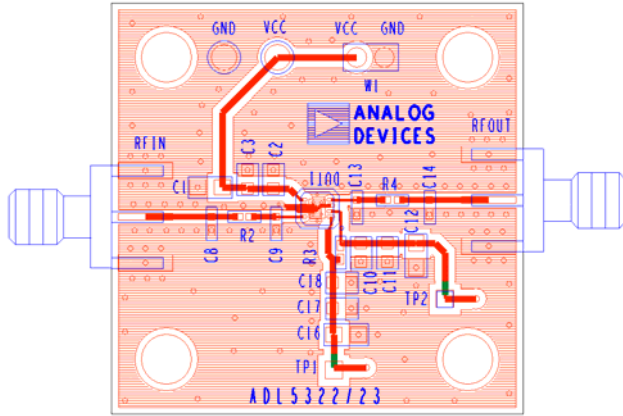


Figure 13. Evaluation board component side view

Table 4. Evaluation board components

| Component    | Function   | Default Value    |
|--------------|--|------------------|
| C3, C12, C16 | Low frequency bypass capacitors  | 10 $\mu$ F, 0402 |
| C2, C11, C17 | Low frequency bypass capacitors  | 10 nF, 0402      |
| C1, C10, C18 | High frequency bypass capacitors   | 100 pF, 0402     |
| C8, C13, C14 | Open   | Open , 0402      |
| R2, R4       | AC coupling capacitors (can also use 0 $\Omega$ resistors since the device has internal ac-coupling caps ) | 100 pF, 0402     |

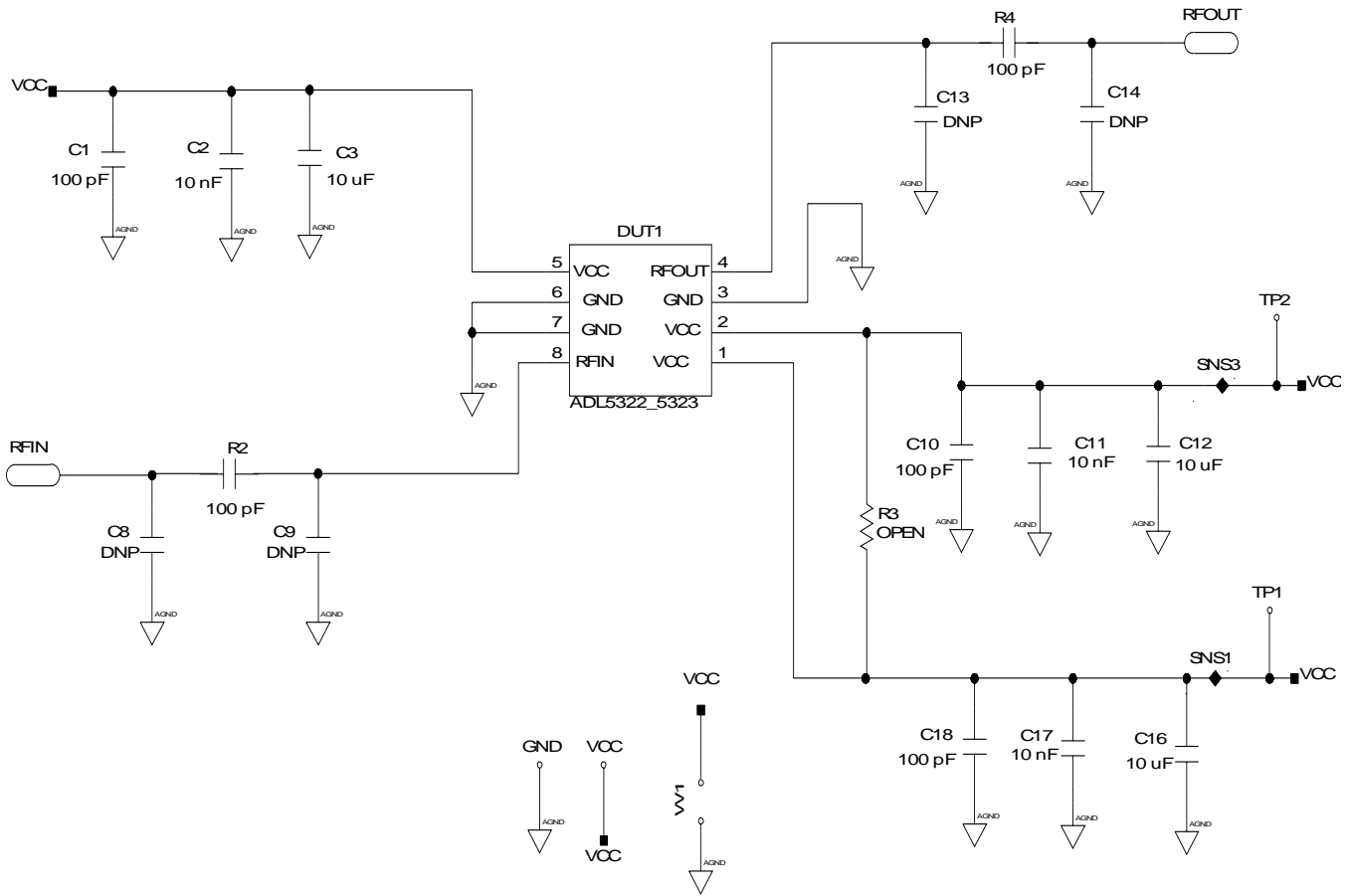


Figure 12. Evaluation Board Schematic



OUTLINE DIMENSIONS

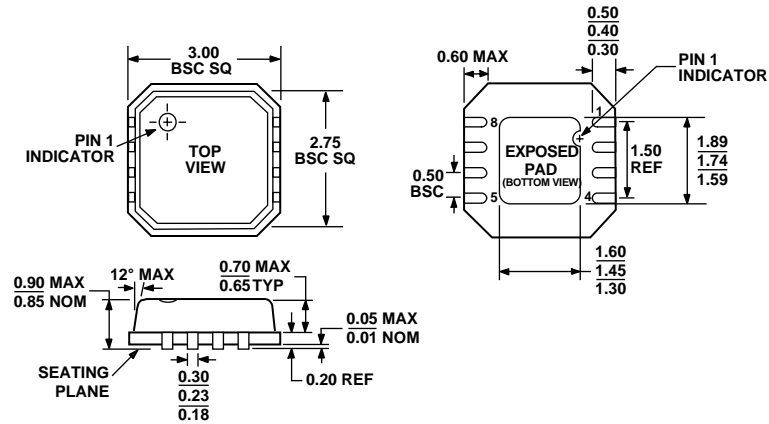


Figure 15. 8-Lead Lead Frame Chip Scale Package  
Dimensions shown in millimeters

ORDERING GUIDE

| Model          | Temperature Range | Package Description               | Package Option |
|----------------|-------------------|-----------------------------------|----------------|
| ADL5323ACPZ-R7 | -40°C to +85°C    | 8-Lead LFCSP_VD, 7" Tape and Reel | CP-8-2         |
| ADL5323ACPZ-WP |                   | 8-Lead LFCSP_VD, Waffle Pack      | CP-8-2         |
| ADL5323-EVAL   |                   | Evaluation Board                  |                |