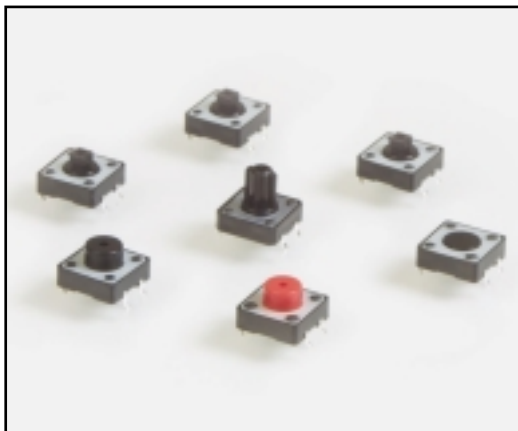


TACT SWITCHES



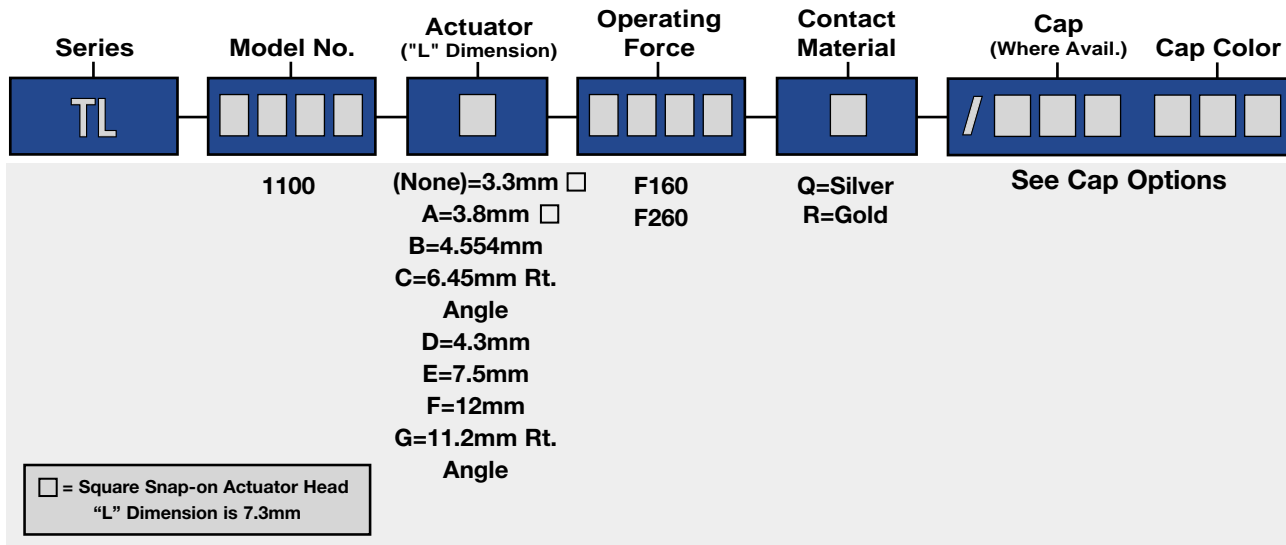
SPECIFICATIONS

Rating: 50mA@50 VDC
 Electrical Life: 100,000 cycles
 Contact Resistance: 100mΩ max., typical @ 2-4 VDC
 100mA for both silver and gold plated contacts
 Insulation Resistance: 1,000MΩ min.
 Dielectric Strength: >1,000 V rms at sea level
 Operating Force: 160 ± 50 gf, 260 ± 50 gf

MATERIALS

Housing: Polybutylene Terephthalate (PBT)
 Actuator: Polybutylene Terephthalate (PBT)
 Cover: Polyester
 Contacts: Silver plated phosphor bronze
 Terminals: Silver plated copper alloy

HOW TO ORDER

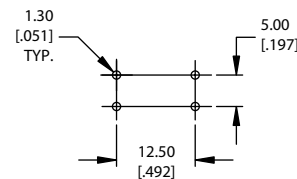
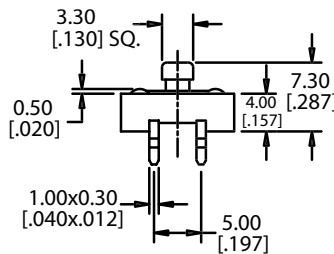
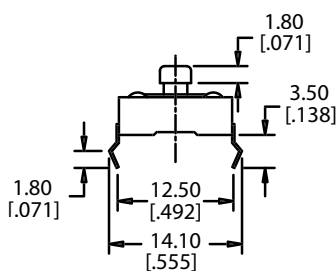


EXAMPLE

TL → 1100 → C → F260 → Q → TAK → GRY

SPECIFICATIONS SUBJECT TO CHANGE WITHOUT NOTICE.

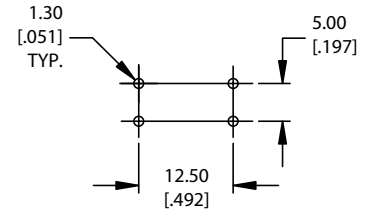
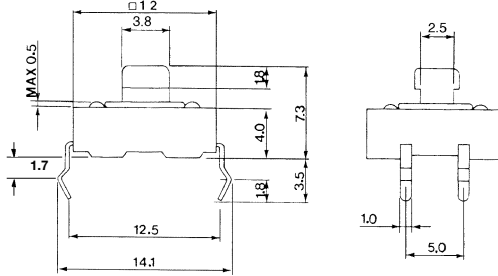
P.C. MOUNTING



P.C. MOUNTING



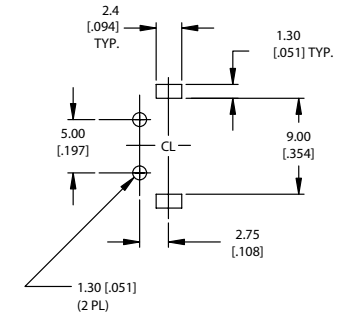
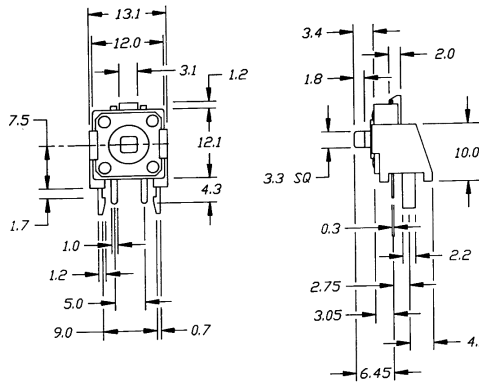
TL 1100 A



P.C. MOUNTING



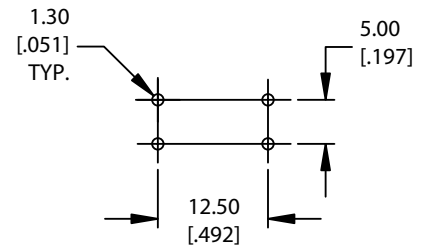
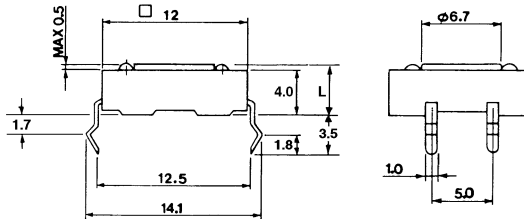
TL 1100 C



P.C. MOUNTING



TL 1100 B



Actuator Length (L) in mm
B = 4.55 mm
D = 4.3 mm

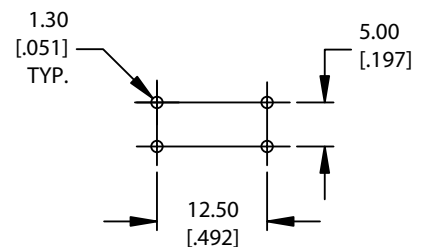
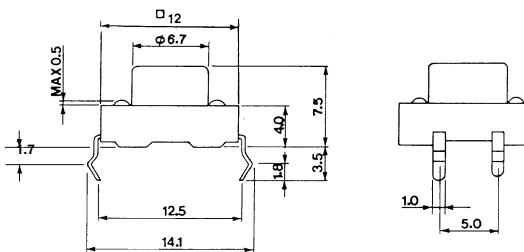


TL 1100 D

P.C. MOUNTING



TL 1100 E



SPECIFICATIONS SUBJECT TO CHANGE WITHOUT NOTICE.

