

# SHDSL, HDSL2 & HDSL4 Magnetics

GlobespanVirata G2237



TM02394

- Designed to comply with the requirements of GR1089 Power Fault, UL1950 and EN60950 supplementary insulation with 250 VAC working voltage
- UL file number E169987, BABT certificate number NC011559, CB certificate number 14210
- Minimum interwinding breakdown voltage of 1500 Vrms for 1 minute between line and chip
- Minimum interwinding breakdown voltage of 600 Vrms for 1 minute between line center tap or pin 1 and 2
- Operating and storage temperature range: -40° to +85° C
- Meets IEC 695, 2-2 flammability requirements
- PWB Process Capability: standard printed wiring board assembly techniques, total-immersion cleaning
- Reliability testing: shock, vibration, temperature cycling, temperature - humidity - bias
- All specifications must be met for any DC unbalance current up to 100mA max in the line side

## ELECTRICAL SPECIFICATIONS AT 25° C

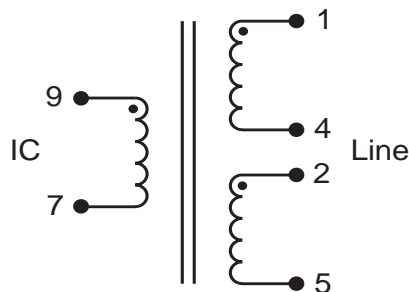
Part Number	Turns Ratio ±2%	Inductance <sup>1</sup> mH ±6%	Leakage Inductance <sup>2</sup> µH max	DCR Ω max		Interwinding Capacitance <sup>3</sup> pF max	Longitudinal Balance <sup>4</sup> dB max	Insertion Loss <sup>4</sup> dB max	Return Loss <sup>4</sup> dB min	Harmonic Distortion <sup>4</sup> dB max
	IC : Line	(1-5)	(1-5)	IC Side	Line Side	IC : Line	DC - 500kHz	100kHz	40kHz - 500kHz	4 Vrms 5kHz
S560-6600-DJ	1 : 5.4	3	15	0.35	3.8	160	-55	0.50	15	79

All measurements are made with pins 2 and 4 connected except for breakdown voltage between pin 1 and 2

- Inductance measured at 10 kHz, 0.1 Vac
- Leakage inductance measured at 100 kHz, 0.1 Vac
- Interwinding capacitance measured at 10 kHz, 1.0 Vac
- Measured with line impedance of 135 Ω and chip impedance of 4.6 Ω

## SCHEMATIC

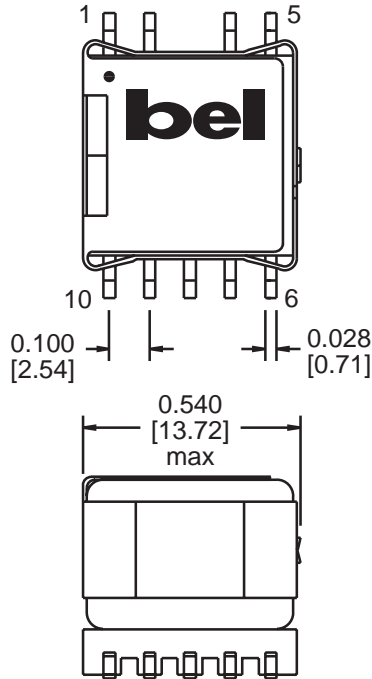
S560-6600-DJ



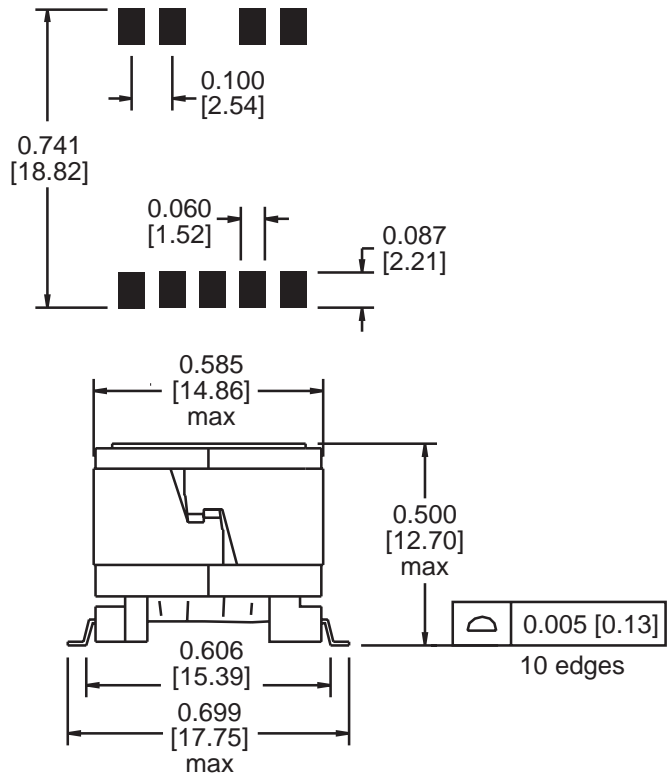
TM02394

### MECHANICAL

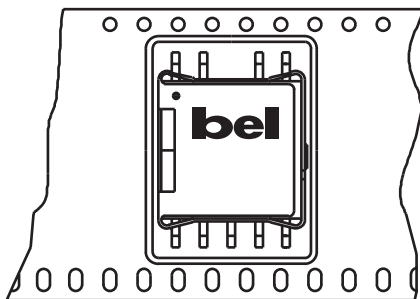
S560-6600-DJ



### Suggested PCB Pad Layout



Dimensions are in inches [millimeters].  
 Standard dimension tolerance is  $\pm 0.005$  [0.13] unless otherwise noted.



➔ User Feed Direction

Orientation of Component Inside Pocket

### Tape and Reel Packaging

32 mm wide by 24 mm pitch; 13 inch OD, 4 inch ID  
 200 components per reel, maximum  
 Meets ANSI/EIA 481-2 Carrier Tape Standards

©2004 Bel Fuse Inc. Specifications subject to change without notice. 01.04

#### CORPORATE

**Bel Fuse Inc.**  
 206 Van Vorst Street  
 Jersey City, NJ 07302  
 Tel 201-432-0463  
 Fax 201-432-9542  
 www.belfuse.com

#### FAR EAST

**Bel Fuse Ltd.**  
 8F / 8 Luk Hop Street  
 San Po Kong  
 Kowloon, Hong Kong  
 Tel 852-2328-5515  
 Fax 852-2352-3706  
 www.belfuse.com

#### EUROPE

**Bel Fuse Europe Ltd.**  
 Preston Technology Management Centre  
 Marsh Lane, Suite G7, Preston  
 Lancashire, PR1 8UD, U.K.  
 Tel 44-1772-556601  
 Fax 44-1772-888366  
 www.belfuse.com