

ADSL Magnetics

Conexant BT8970 and BT8973



TM00307

- Designed for 784 kbps and 1168 kbps ADSL applications
- Designed to meet IEC 950 safety requirements for supplementary insulation at 250V
- Minimum interwinding breakdown voltage of 1500 Vrms
- Operating temperature range: -40° C to +85° C
- Meets IEC 695, 2-2 flammability requirements
- PWB Process Capability: standard printed wiring board assembly techniques, total-immersion cleaning
- Reliability testing: shock, vibration, temperature cycling, temperature - humidity - bias

ELECTRICAL SPECIFICATIONS AT 25° C

Part Number	Package	Application Kbps	Turns Ratio ± 2%	Inductance ² mH ±6%	Leakage Inductance ³ µH max	DCR Ω max		Longitudinal Balance db min	Insertion Loss ⁴ dB max	Frequency Response ⁴ dB	Harmonic Distortion ⁴ dB max
			Chip : Line ¹	Line Side ¹	Line Side	Chip Side	Line ¹ Side	40 kHz - 200 kHz	200 kHz	40 kHz - 200 kHz	40 kHz 14 dBm
S560-6600-68	SMD	784	1 : 2	3	11	1	2.3	53	0.5	± 0.1	-70
0560-6600-J6	THT	784	1 : 2	3	11	1	2.3	53	0.5	± 0.1	-70

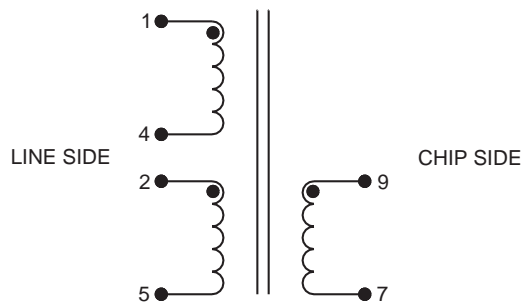
1. connect 2 to 4
2. measure at 10 kHz, 0.1V
3. connect 2 to 4 and 7 to 9
4. 135Ω line impedance

Part Number	Package	Application Kbps	Turns Ratio ± 2%	Inductance ² mH ±10%	Leakage Inductance ³ µH max	DCR Ω max		Longitudinal Balance db min	Insertion Loss ⁴ dB max	Frequency Response ⁴ dB	Harmonic Distortion ⁴ dB max
			Chip : Line ¹	Line Side ¹	Line Side	Chip Side	Line ¹ Side	40 kHz - 300 kHz	40 kHz	40 kHz - 500 kHz	40 kHz 1.85 Vrms
S560-6600-L7	SMD	1168	1 : 2	2	10.5	1	2.55	53	0.5	± 0.1	-70
0560-6600-60	THT	1168	1 : 2	2	10.5	1	2.55	53	0.5	± 0.1	-70

1. connect 2 to 4
2. measure at 10 kHz, 0.1V
3. connect 2 to 4 and 7 to 9
4. 135Ω line impedance

SCHEMATIC

S560-6600-68
0560-6600-J6
S560-6600-L7
0560-6600-60

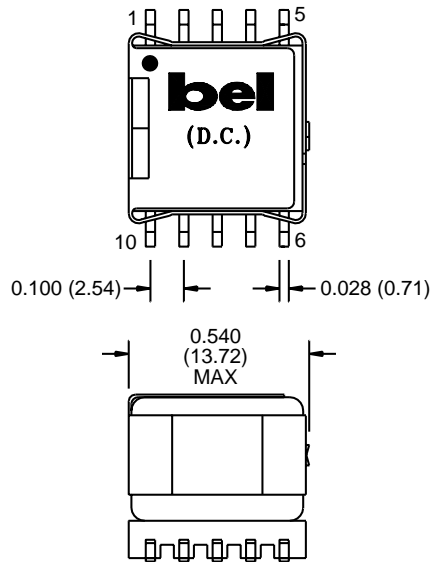


©2000 Bel Fuse Inc. Specifications subject to change without notice. 10.00

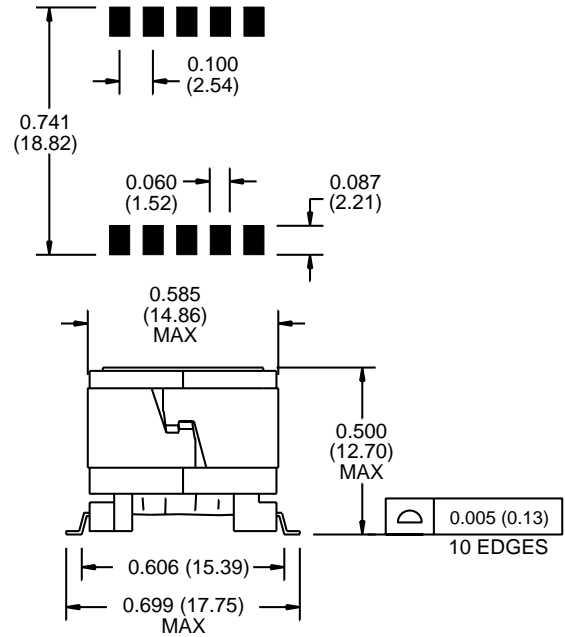
TM00307

MECHANICAL

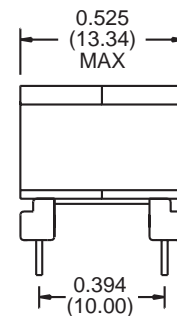
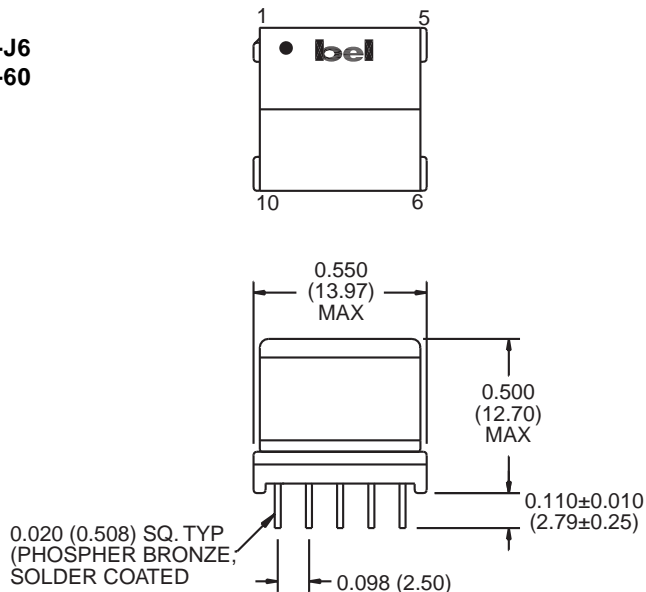
S560-6600-68
S560-6600-L7



SUGGESTED PCB PAD LAYOUT



0560-6600-J6
0560-6600-60



©2000 Bel Fuse Inc. Specifications subject to change without notice. 10.00

CORPORATE

Bel Fuse Inc.
198 Van Vorst Street
Jersey City, NJ 07302
Tel 201-432-0463
Fax 201-432-9542
www.belfuse.com

FAR EAST

Bel Fuse Ltd.
8F / 8 Luk Hop Street
San Po Kong
Kowloon, Hong Kong
Tel 852-2328-5515
Fax 852-2352-3706
www.belfuse.com

EUROPE

Bel Fuse Europe Ltd.
Preston Technology Management Centre
Marsh Lane, Suite G7, Preston
Lancashire, PR1 8UD, U.K.
Tel 44-1772-556601
Fax 44-1772-888366
www.belfuse.com