

MDS Series Micro Snap-acting Detect Switches



Features/Benefits

- Snap-acting tactile feel
- Small package size
- Available in vertical or right angle PCB mount
- Long total travel of 2,9 mm
- RoHS compliant

Typical Applications

- Detect the presence of a mechanical device
- Medical devices
- Consumer electronic devices

Specifications

CONTACT RATING: 0.3A @ 6 VDC.
 MECHANICAL & ELECTRICAL LIFE: 10,000 operations.
 CONTACT RESISTANCE: 200 m Ω max.
 OPERATING TEMPERATURE: -25°C to +70°C.
 SOLDERABILITY: Wave solder, no wash.
 PACKAGING: Bulk.

Materials

HOUSING & BASE: P.P.S.
 ACTUATOR: Nylon 4/6
 MOVABLE CONTACT: Copper alloy, tin & silver plated.
 STATIONARY CONTACTS: Copper alloy, silver plated.
 TERMINALS: Copper alloy, tin plated.

NOTE: MDS series is RoHS compliant, but not compatible. See technical data section of this catalog for RoHS compliant and compatible definitions and specifications.

NOTE: For the latest information regarding RoHS compliance, please go to: www.ittcannon.com/rohs.

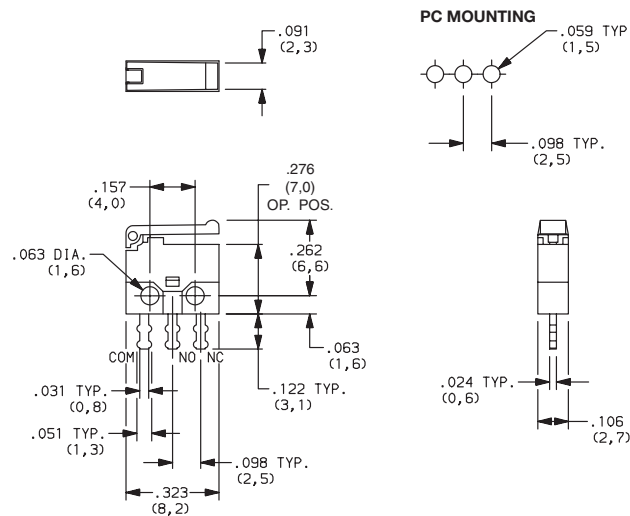
NOTE: Specifications and materials listed above are for switches with standard options. For information on specific and custom switches, consult Customer Service Center.

How To Order

Complete part numbers for MDS Series Switches are shown below.



MDS001
SPDT



PART NUMBER	DESCRIPTION
MDS001	Vertical
SCHEMATIC	
SPDT	



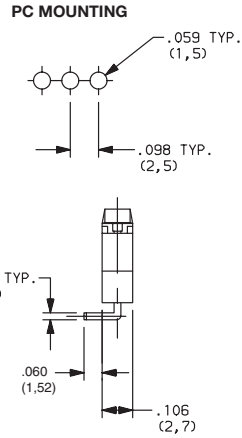
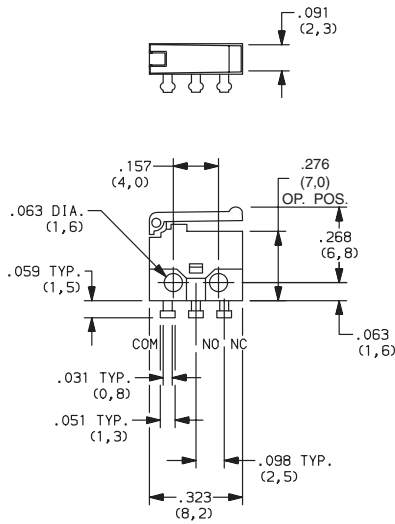
Dimensions are shown: Inch (mm)
 Specifications and dimensions subject to change



MDS Series Micro Snap-acting Detect Switches

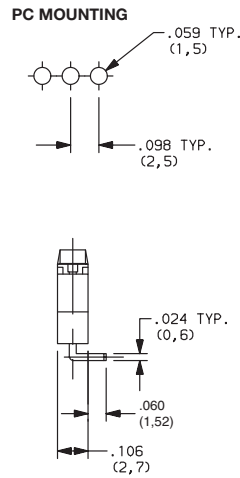
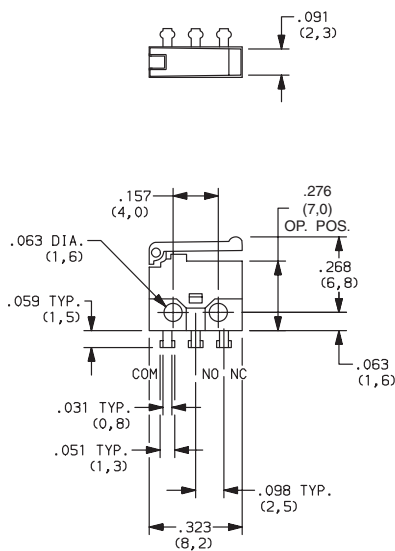


PART NUMBER	DESCRIPTION
MDS002	Right Angle, Left bend
SCHEMATIC	
SPDT	



**MDS002
SPDT**

PART NUMBER	DESCRIPTION
MDS003	Right Angle, Right bend
SCHEMATIC	
SPDT	

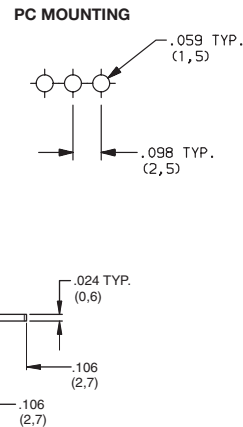
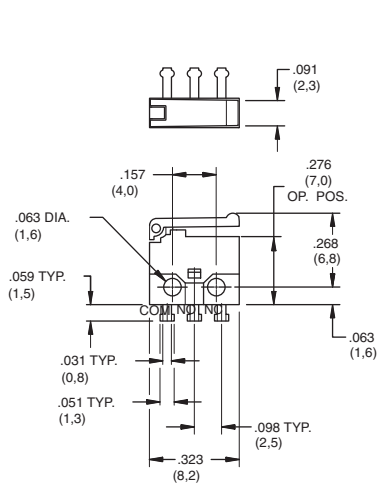


**MDS003
SPDT**



Detect

PART NUMBER	DESCRIPTION
MDS005	Right Angle, Right bend
SCHEMATIC	
SPDT	



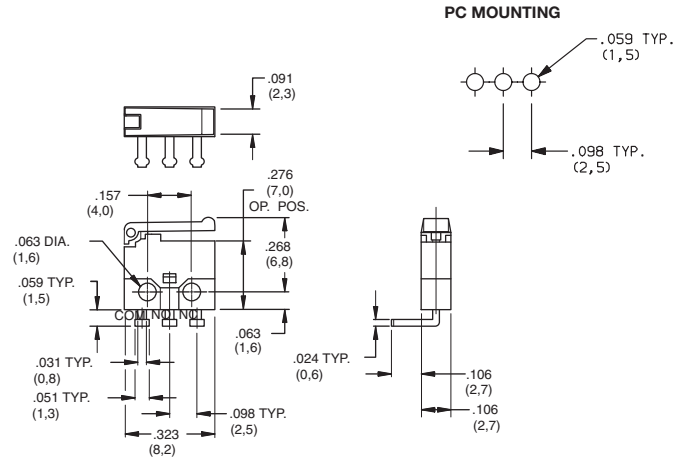
Third Angle Projection
Dimensions are shown: Inch (mm)
Specifications and dimensions subject to change



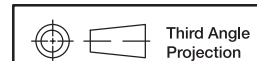
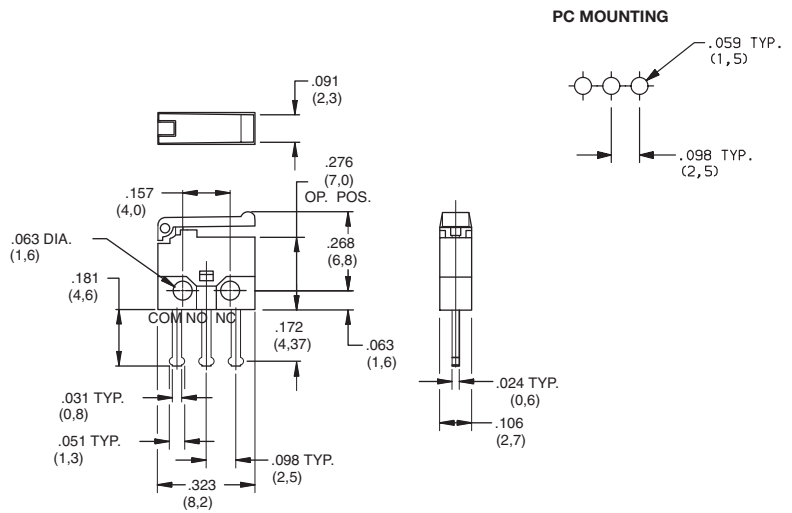
MDS Series Micro Snap-acting Detect Switches



PART NUMBER	DESCRIPTION
MDS006	Right Angle, Left Bend
SCHMATIC	
SPDT	



PART NUMBER	DESCRIPTION
MDS007	Vertical
SCHMATIC	
SPDT	



Dimensions are shown: Inch (mm)
Specifications and dimensions subject to change

