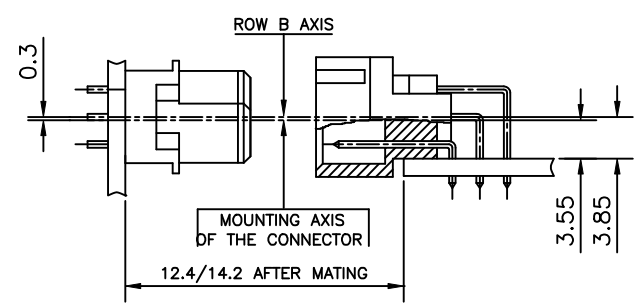
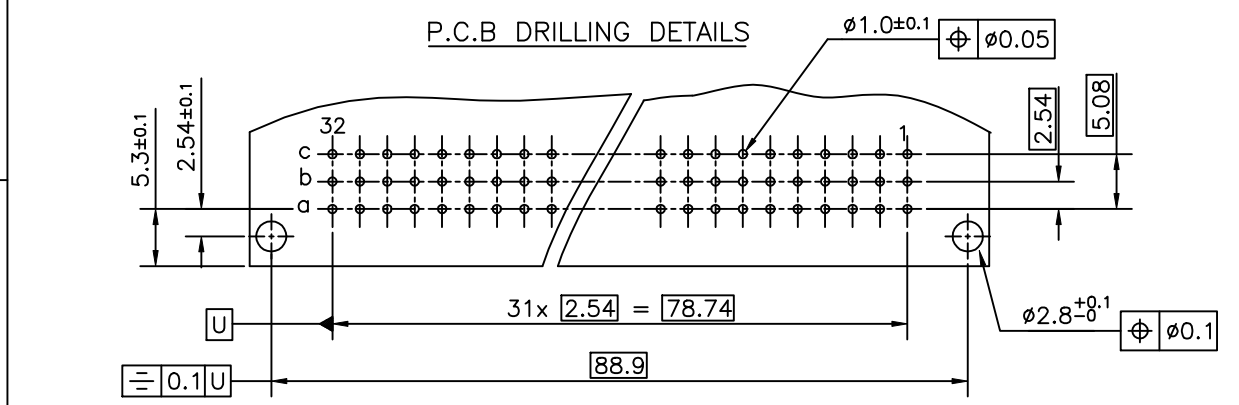
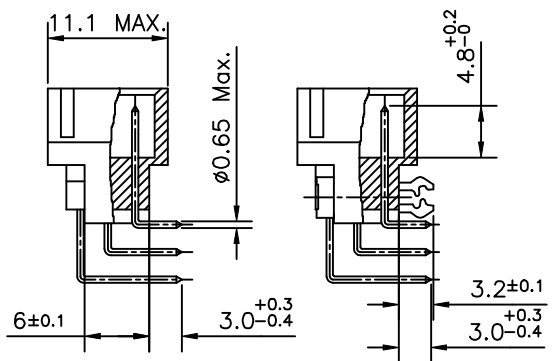
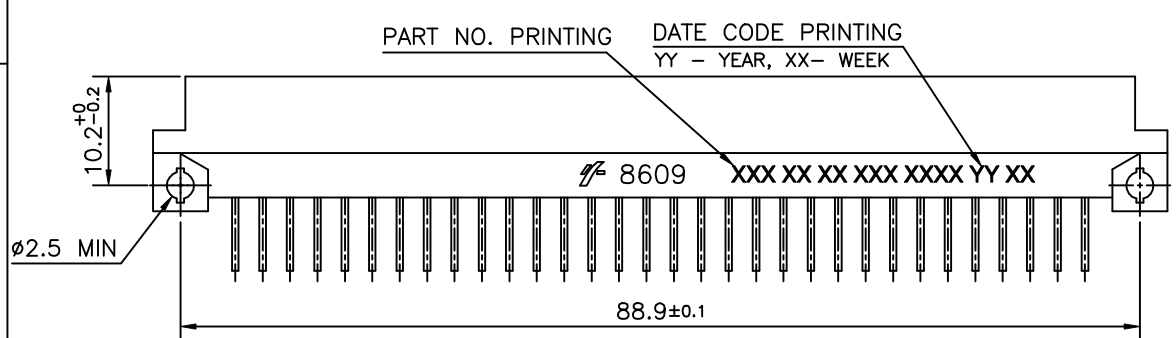
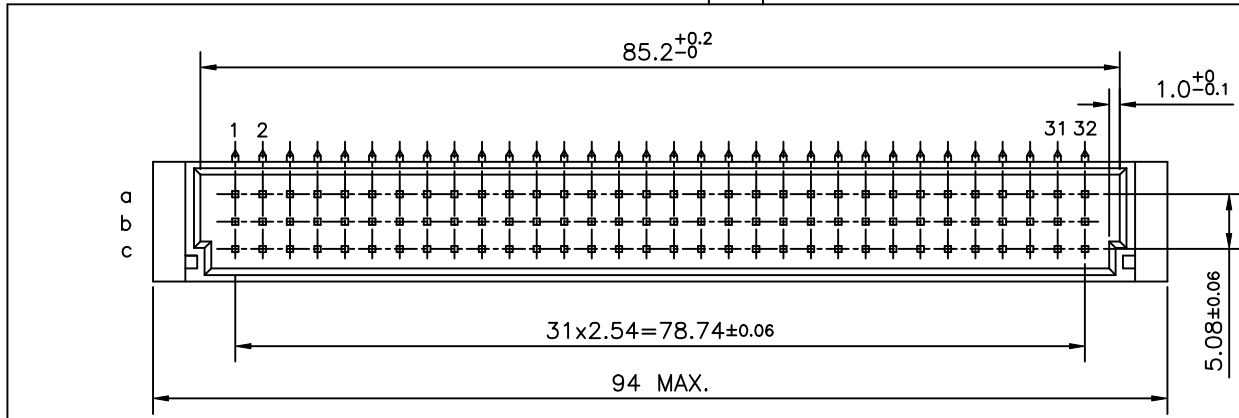


Tous droits strictement réservés. Reproduction ou communication a des tiers interdite sous quelque forme que ce soit sans autorisation écrite du Propriétaire de c FCI. Droits de reproduction FCI.

All rights strictly reserved. Reproduction or issue to third parties in any form whatever is not permitted without written authority from the proprietor. Property of FCI. Copyright FCI.



TECHNICAL SPECIFICATION

HOUSING MATERIAL : THERMOPLASTIC POLYESTER UL94V0, GREY
 HOUSING CAN WITHSTAND EXPOSURE TO LEAD FREE WAVE SOLDERING TEMPERATURE OF 260-265°C WHEN USED WITH PROTECTIVE ADHESIVE OR PROTECTIVE METALLIC DEVICE FOR RIGHT ANGLE CONNECTORS AS IT IS USED IN CLASSICAL LEAD WAVE SOLDERING AT 235-250°C.

CONTACT / HARPOON MATERIAL : COPPER ALLOY

CONTACT PLATING : GOLD OVER NICKEL

ACTIVE ZONE : GOLD OVER NICKEL

TERMINATION ZONE : GOLD OVER NICKEL

TIN LEAD VERSION : TIN LEAD OVER NICKEL

LEAD FREE VERSION : TIN (PURE MATTE) OVER NI

HARPOON PLATING : TIN LEAD OVER NICKEL

TIN LEAD VERSION : TIN (PURE MATTE) OVER NI

LEAD FREE VERSION : TIN (PURE MATTE) OVER NI

ELECTRICAL DATA

CURRENT RATING AT 20°C : 1.5 A

CURRENT (I MAX) : 2 A

TEMPERATURE RANGE : -55°C/+125°C

CONTACT RESISTANCE : ≤ 20mΩ

INSULATION RESISTANCE : ≥ 10⁶ MΩ

TEST VOLTAGE (rms) : 1000V

MECHANICAL DATA

INSERTION FORCE PER CONTACT : ≤ 0.94N

EXTRACTION FORCE PER CONTACT : ≥ 0.15N

REFERENCE SPECIFICATIONS : DIN 41612 / IEC 603-2

SERIES	8609	3	96	7	1	13	7	4	5	000E
ROWS FITTED WITH CONTACTS										
Rows a-b-c		3	96							
Rows a-c		4	64							
NUMBER OF CONTACTS										
TYPE OF INSULATOR										
3 ROW MALE INSULATOR				7						
METHOD OF MOUNTING										
STANDARD MOUNTING - STYLE C										1
TERMINATION										
ANGLED SPILL										13
OPTIONS										
NO OPTION										7
WITH HARPOONS										H
PERFORMANCE CLASS										
DIN 41612 CLASS 3										4
DIN 41612 CLASS 2										5
DIN 41612 CLASS 1										6
AS PER MIL C 55302/ JSS 50808										8
PITCH PER ROW										
2.54										5
000E										TIN LEAD VERSION
ELF										LEAD FREE VERSION

NOTES:-

1. THE "LF" PRODUCTS MEET EUROPEAN UNION DIRECTIVES AND OTHER COUNTRY REGULATIONS AS DESCRIBED IN GS-22-008
2. THE HOUSING WILL WITHSTAND EXPOSURE TO 260°C PEAK TEMPERATURE FOR 3.5 SECONDS IN A WAVE SOLDER APPLICATION WITH A 1.6 MM MINIMUM THICK CIRCUIT BOARD
3. LEAD FREE OR RoHS DIRECTIVE LABELING TO BE PROVIDED AS PER GS-14-920 FOR LEAD FREE VERSION.

INDEX	DATE	REVISION DESCRIPTION
b	19/05/2005	TECHNICAL SPECIFICATION MODIFIED AND LEAD FREE NOTE ADDED.
a	16/09/2004	PART NO. 000E1 CHANGED TO 000E , HARPOON MOUNTING ADDED AND DRAWING NO.WAS C-8609-0137 REV. c.

ltr	Ecn no	Dr	date
b	105-0042	MINI	19/05/2005
a	104-0063	MINI	16/09/2004

			<input checked="" type="checkbox"/> Tolerance LINEAR ±0.1 ANGULAR ±1°	Projection 	MM			
Dr	Mini K Vandanath	16/09/2004	Product Family	8609	Size	A3	Scale	_____
Eng	Rakhee George	16/09/2004	Spec ref		ECN			
Chr	Rakhee George	19/05/2005	Material	SEE TECH. SPEC.				
Appr	K Somasundaram	19/05/2005						
		Title DIN STANDARD HEADER (ANGLED SPILL DIN41612 STYLE-C)		Dwg no C-8609-2001		Rev. b		
DENGGEURO/8609			Catalog no 8609---7113---XXXX		CUSTOMER COPY		Sheet 1 of 1	