

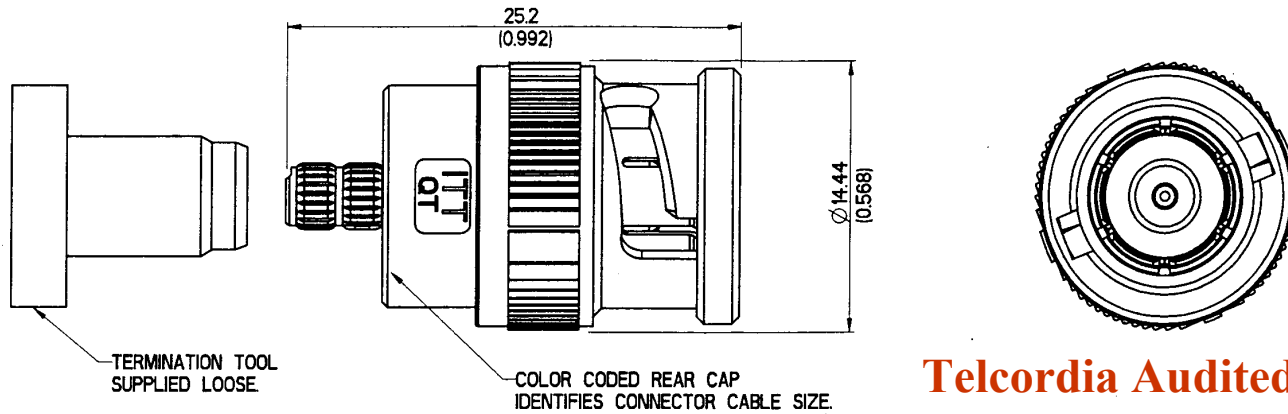
TERMINATION TOOL - SUPPLIED
LOOSE EXCEPT FOR W58-124-9019910 WHERE
IT IS FITTED TO THE CRIMP BARREL.

COLOR CODED REAR CAP
IDENTIFIES CONNECTOR CABLE SIZE

Telcordia Audited Connectors

PART NUMBER	CABLE DESCRIPTION	COMMENTS	CENTRE CONDUCTOR DIAMETER	CAP COLOUR IDENT	CRIMP HEX A/F	CRIMP BARREL O/D	CRIMP BARREL I/D
W58-124-9019910	AT&T 735A	REF KS23558	0.40±0.005 (0.0159"±.0002")	RED	0.178"	3.57mm (0.140")	2.57mm (0.101")
W58-124-9039910	MI7/29-RG59/U		0.57±0.028 (0.0226"±.0002")	YELLOW	0.255"	5.69mm (0.224")	4.44mm (0.175")
W58-124-9069910	AT&T 734	REF KS23558	0.79±0.008 (0.0313"±.0003")	BLUE	0.255"	5.69mm (0.224")	4.44mm (0.175")

DO NOT SCALE		Total Volume : mm ³		Total Surface Area : mm ²		PDM:		A3/B								
3	K3152	18 NOV-97	Drawn	PJ	11 Feb 97	<p>ITT Cannon RF PRODUCTS</p> <p>Jays Close, Viables Estate Basingstoke, Hants RG22 4BW UK</p> <p>585 East Main Street New Britain, Connecticut 06051, USA (FSCM No. 98291)</p>		Pro/E Generic Model W58-124-9XX9-gon Title QT-BNC 75Ω PLUG OUTLINE DRAWING RBOC's (TELCO's)								
2	DRAWING MODIFIED DCN K3084	25-June-97	Checked	JJ	22/12/97					Ref: _____ Scale 4:1 Sheet 1 of 3		Drwg No W58-124-9XX9XXX-1				
1	DRAWING RELEASE DCN K3039	20-Feb-97	Engineer	PJ									3rd ANGLE PROJECTION Surface Roughness Unless Specified	3 3		
A	PROVISIONAL RELEASE	11-Feb-97	Manufact.												Dimensions in: MM AND INCHES Cust Spec No: _____	This is issued in strict confidence on condition that it is not used as a basis for manufacture or sale and that it is not copied, reprinted or disclosed to a third party either wholly or in part without the prior written consent of ITT Cannon. © Feb-97
1	DCN/ECN or Description	Date	Assembly													
			Quality													



Telcordia Audited Connectors

PART NUMBER	CABLE TYPE	CENTRE CONDUCTOR	CAP COLOR	CRIMP HEX.	CRIMP BARREL O/D	CRIMP BARREL I/D
W58-124-9029910	1505A	.805mm(.0317)	BLUE	0.255	5.69mm(.224)	4.44mm(.175)
	9104,5565,5572,VPM2000	.813mm(.0320)	BLUE	0.255	5.69mm(.224)	4.44mm(.175)
W58-124-9039910	9209	.572mm(.0225)	YELLOW	0.255	5.69mm(.224)	4.44mm(.175)
	9209A	.554mm(.0218)	YELLOW	0.255	5.69mm(.224)	4.44mm(.175)
	8241A,5563,VJ59U,9204	.584mm(.0230)	YELLOW	0.255	5.69mm(.224)	4.44mm(.175)
W58-124-9049910	1694,1695,5765,2279	1.02mm(.040)	BLACK	0.300	6.20mm(.244)	5.20mm(.204)
	9114	1.026mm(.0404)	BLACK	0.300	6.20mm(.244)	5.20mm(.204)
W58-124-9079910	8281,8281B,9141	.787mm(.0310)	GREEN	0.309	6.20mm(.244)	5.20mm(.204)
	88281	.828mm(.0326)	GREEN	0.309	6.20mm(.244)	5.20mm(.204)
	7505,VP600Q,VP618PE01	.813mm(.0320)	GREEN	0.309	6.20mm(.244)	5.20mm(.204)
W58-124-9089910	BT3002	.31mm(.0122)	WHITE	0.178	3.57mm(.140)	2.57mm(.101)
W58-124-9119910	1694,1695,5765,2279	1.02mm(.040)	BLACK	0.300	6.20mm(.244)	5.20mm(.204)
	9114	1.026mm(.0404)	BLACK	0.300	6.20mm(.244)	5.20mm(.204)
W58-124-9129910	RG59 QUAD.	.81mm(.0240)	YELLOW	0.255	5.69mm(.224)	4.44mm(.175)
W58-124-9109910	F59-HEC-2	.813mm(.0320)	BLUE	.300	6.20mm(.244)	5.20mm(.204)
W58-124-9099910	S59-HEC-2	.572mm(.0225)	YELLOW	.300	6.20mm(.244)	5.20mm(.204)

DO NOT SCALE			Total Volume : δ volume mm ³		Total Surface Area : mm ²		PDM: NEW PRODUCT FEASIBILITY 1.22		A3/B				
Drawn	PJ	17-Nov-97	Material: SEE COMPONENT DRAWINGS		 3rd ANGLE PROJECTION Surface Roughness Unless Specified	ITT Cannon RF PRODUCTS Jays Close, Viabes Estate Basingstoke, Hants. RG22 4BW UK 585 East Main Street New Britain, Connecticut 06051, USA (FSCM No. 98291)			Pro/E Generic Model & generic model				
Checked	SS	22/12/07	Treatment:						Title QT-BNC ASSEMBLY CUSTOMER DRAWING COMMERCIAL MARKET.				
Engineer													
Manufact.													
Assembly													
Quality													
3	SEE SHEET 1		17-Nov-97		Approvals Sign Date		Dimensions in: MM AND INCHES		Cust Spec No:	Scale 4:1	Sheet 2 of 3	Drwg No. W58-124-9XX9XXX-1	iss/rev 3

This is issued in strict confidence on condition that it is not used as a basis for manufacture or sale and that it is not copied, reprinted or disclosed to a third party either wholly or in part without the prior written consent of ITT Cannon. © 17-Nov-97