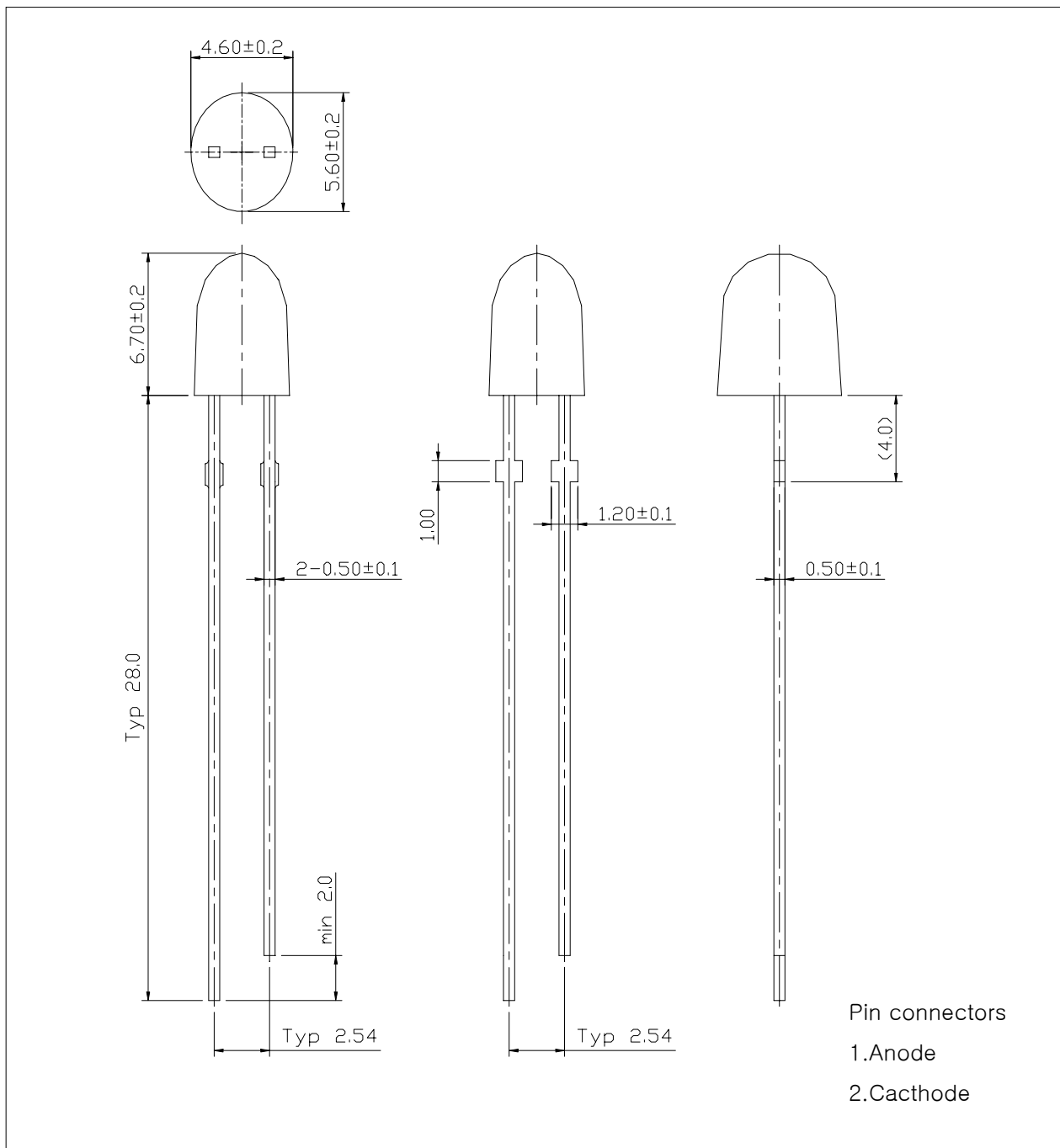


■ Features

- Colored diffusion lens type
- 5.8mm X 4.6mm Oval type
- High luminosity
- ESD Class(Mil Std-883d Method 3015.7) based on Human Body Model(HBM) : Class 3

■ Outline dimensions

(unit : mm)



■ Absolute Maximum Ratings

Characteristic	Symbol	Ratings	Unit
Power dissipation	P_D	120	mW
Forward Current	I_F	30	mA
* ¹ Peak Forward Current	I_{FP}	100	mA
Reverse Voltage	V_R	5	V
Operating Temperature	T_{opr}	-30 ~ +85	°C
Storage Temperature	T_{stg}	-40 ~ +100	°C
* ² Soldering Temperature	T_{sol}	260°C for 5 seconds	

*1. Duty ratio 1/10, Pulse Width 10msec

*2. Keep the distance more than 2.0mm from PCB to the bottom of LED package

■ Electrical – Optical Characteristics

Characteristic	Symbol	Test Condition	Min.	Typ.	Max.	Unit
Forward Voltage	V_F	$I_F=20\text{mA}$	-	3.4	3.9	V
Spectrum Bandwidth	$\Delta\lambda$	$I_F=20\text{mA}$	-	20	-	nm
Reverse Current	I_R	$V_R=5\text{V}$	-	-	50	uA
* ³ Half Angle	$\theta_{1/2}$	$I_F=20\text{mA}$	-	X :±17 Y :±34	-	deg

*3. $\theta_{1/2}$ is the off-axis angle where the luminous intensity is 1/2 the peak intensity

■ Dominant Wavelength

(Ta=25°C)

W _D RANK	Test Condition	Min.	Typ.	Max.	Unit
A	I _F = 20mA	520	–	525	nm
B		525	–	530	
C		530	–	535	

* Wavelength are tested at a current pulse duration 25ms and an accuracy of ±1 nm.

■ Luminous intensity ranks

(Ta=25°C)

I _v RANK	Test Condition	Min.	Typ.	Max.	Unit
O	I _F = 20mA	850	–	1200	mcd
P		1200	–	1700	
Q		1700	–	2400	
R		2400	–	3400	

* Luminous intensity is tested at a current pulse duration of 25 ms and an accuracy of ±11%.

Intensity Measured : 0.01sr(CIE. LED_B)

■ Forward Voltage

(Ta=25°C)

V _F RANK	Test Condition	Min.	Typ.	Max.	Unit
1	I _F = 20mA	–	3.2	3.4	V
2		3.4	3.6	3.9	

* Voltages are tested at a current pulse duration of 1 ms and an accuracy of ±0.1V.

■ Precautions On LED using

* To avoid optical difference, Please do not mix differently-ranked product.

■ Characteristic Diagrams

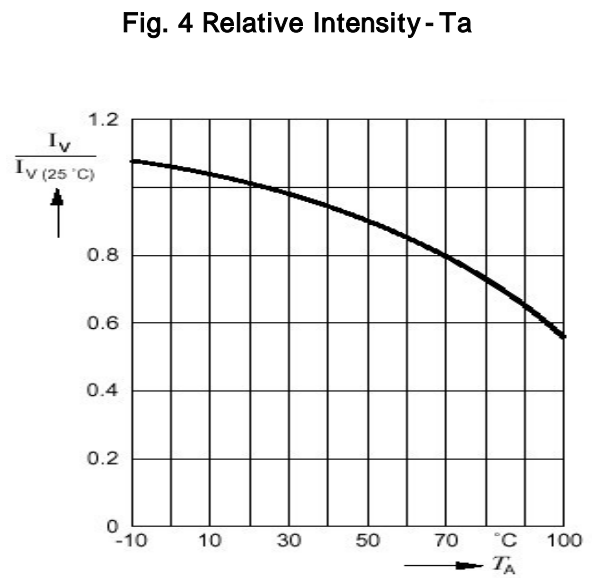
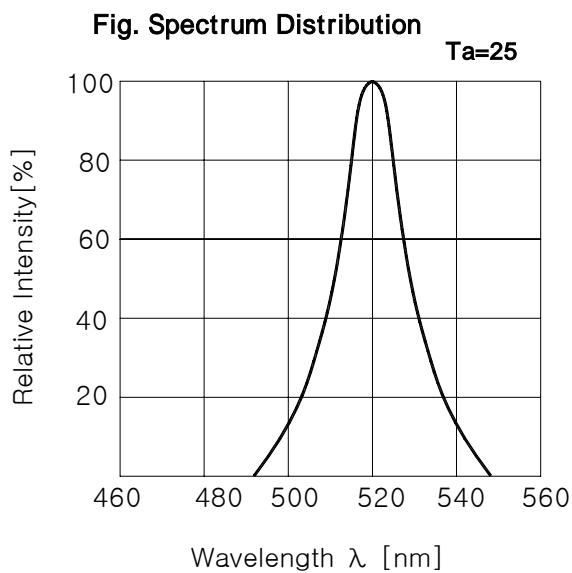
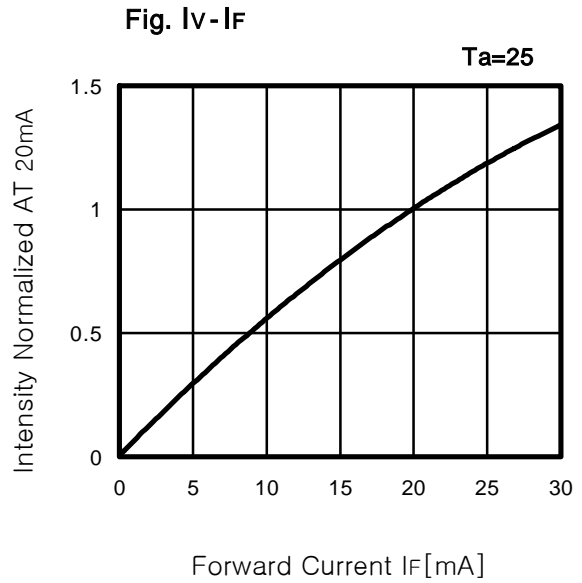
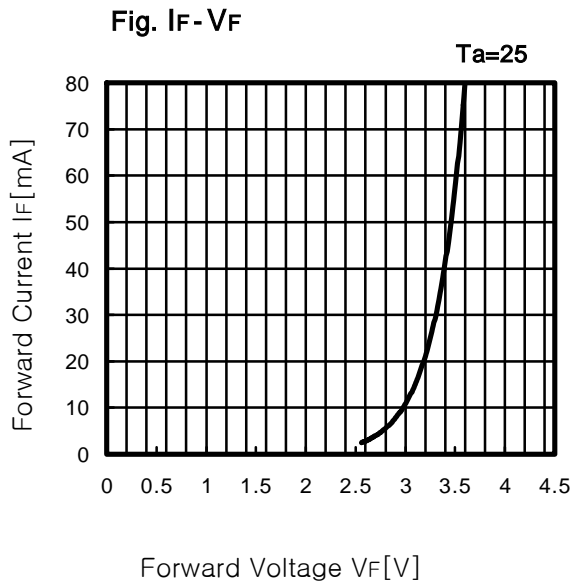
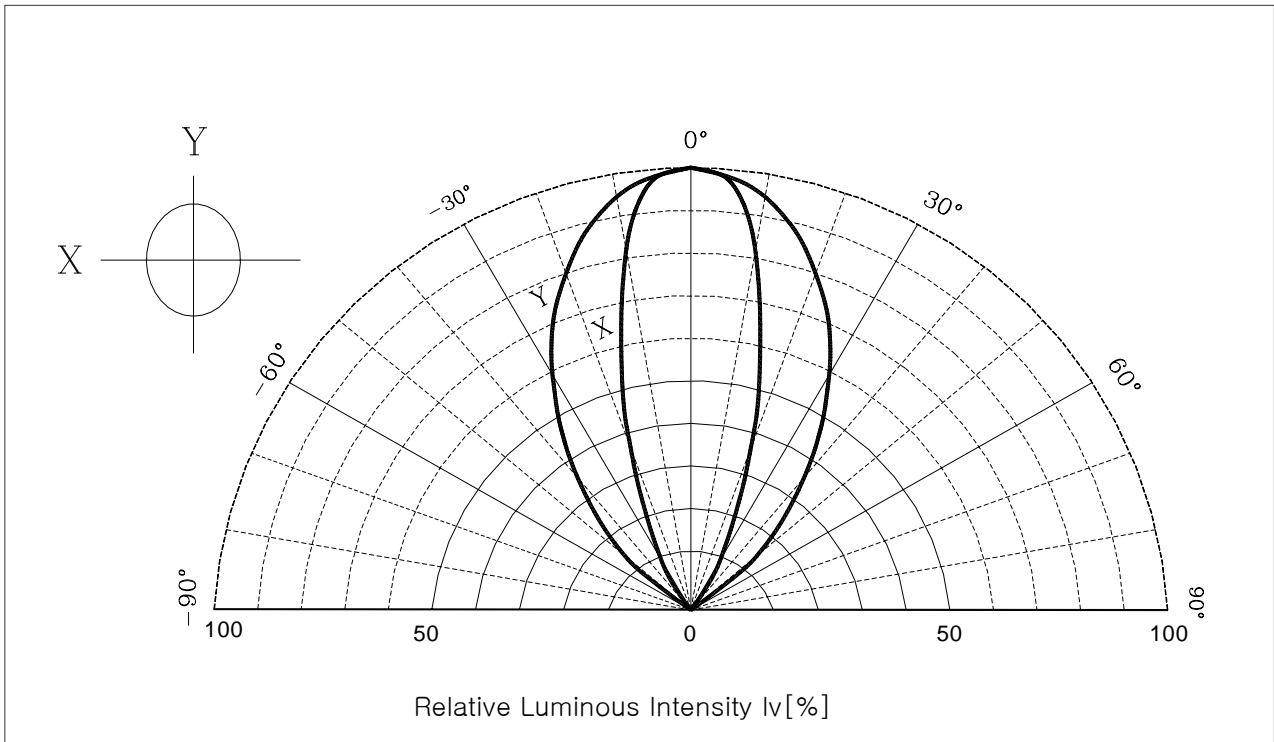


Fig. 5 Radiation Diagram



■ Revision history sheet

Spec NO.			
Title	Specification for Approval		
Times	Date	Summary of revision	Remarks
1	2001. 07. 15	신규제정	
2	2003. 02. 26	Format 변경	
3	2004. 06. 03	Iv Rank 변경	