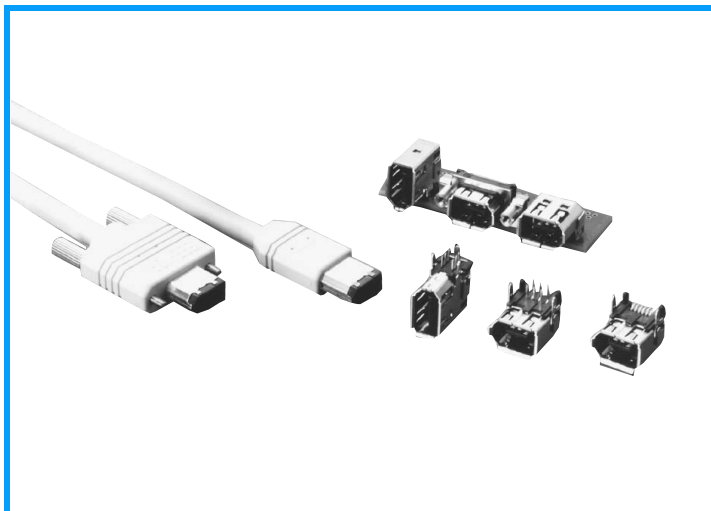


## For IEEE-1394 High Performance Serial Bus Connectors

A  
HSB



HSB series is a high performance shielded I/O connector serial bus that will allow increased transmission speed for multi-media applications in accordance with IEEE 1394

### FEATURE

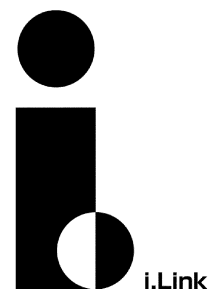
- Data transmission rates of 100,200 and 400Mbps
- 6 reliable ribbon style contacts, 2 pair signal and 2 power
- Fully shielded design feature protection from electrostatic discharge
- Power and ground contacts feature a pre-mating design for circuit protection

## APPLICATION

Computer, HDD, MO, Printer, Scanner, DV Camcorder, Digital Camera, IEEE1394 Host Adapter and Other Multi-Media Devices

## SPECIFICATION

Voltage Rating	30V AC (rms)
Current Rating	1.5A / contact
Dielectric With Standing Voltage	500V AC (rms) for 1 minute
Insulation Resistance	100M $\Omega$ min. at 500V DC
Contact Resistance	30m $\Omega$ max.



## MATERIAL/FINISH

Contact	Copper alloy/Mating area : 0.76 $\mu$ m Gold over Nickel plating Tail area :Tin-lead plating
Insulator	PA resin or LCP resin (UL94V-0) color black
Shell	Copper alloy or Steel/Tin-lead plating

## 6Pin - 6Pin Cable Assembly

### HSB-HAA-B07

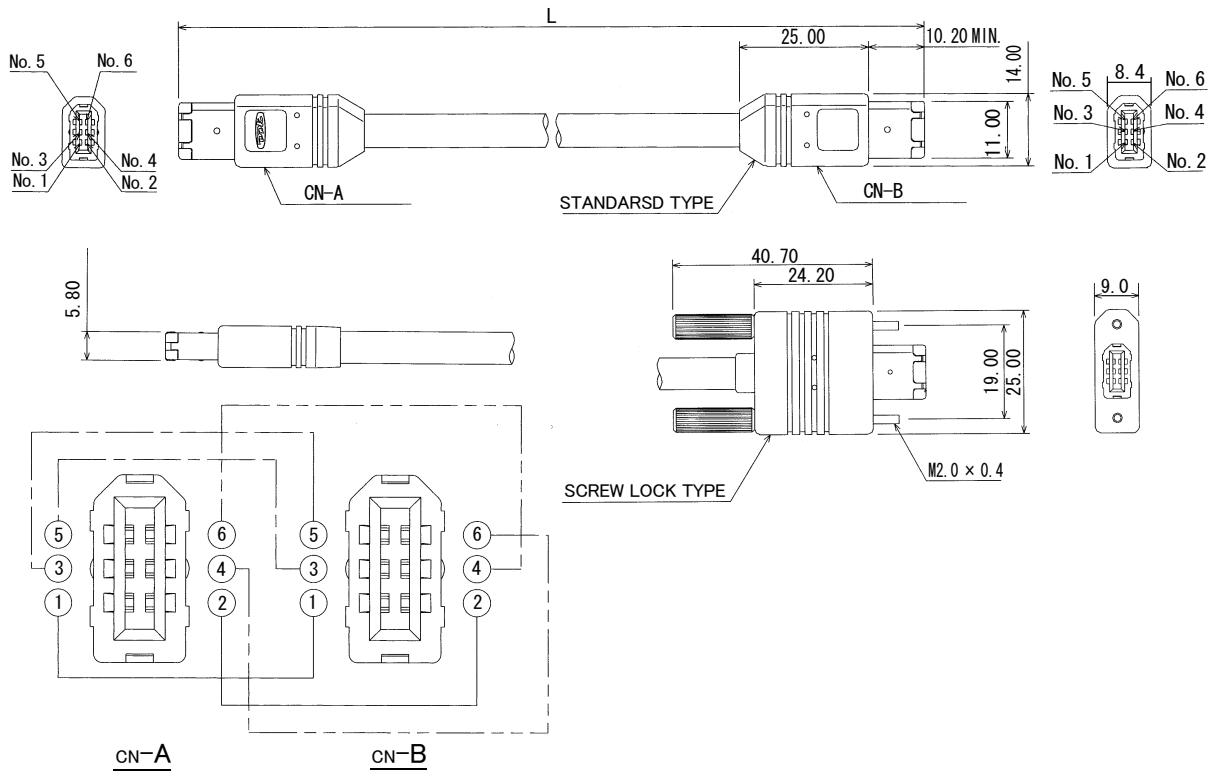
CN-A style		
	CN-A	CN-B
AA	Standard	Standard
AC	Standard	Screw lock
CC	Screw lock	Screw lock

**Cable length**

 07 : L=0.7m  
 20 : L=2.0m  
 45 : L=4.5m

**Cable style**

: See Table-2


**TABLE-1 (WIRING STRUCTURE)**

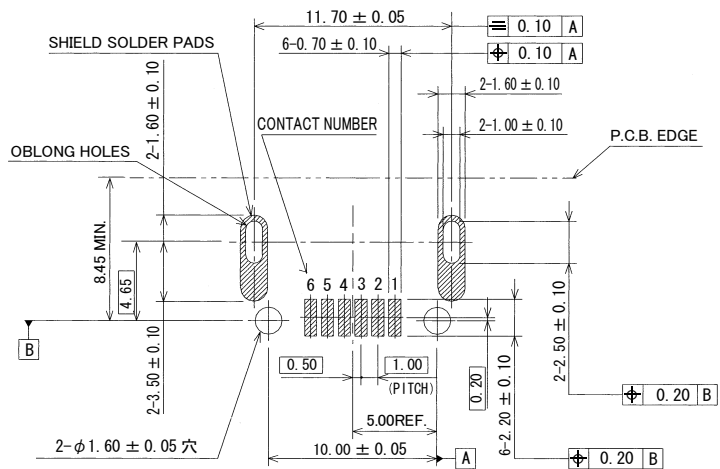
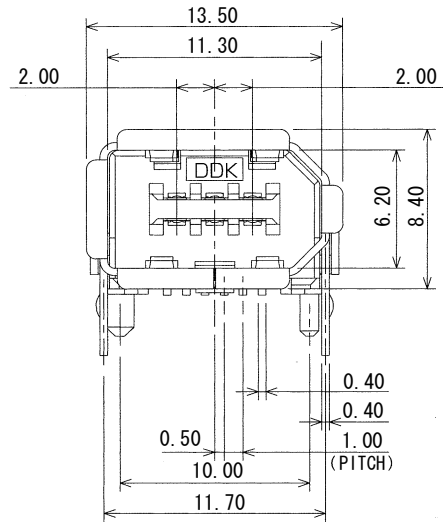
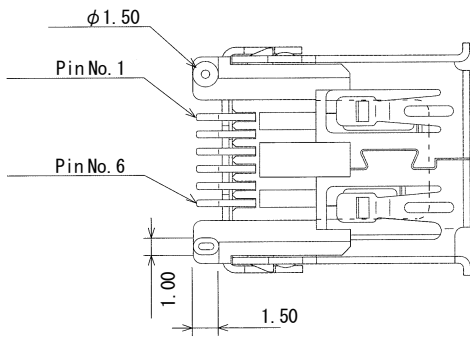
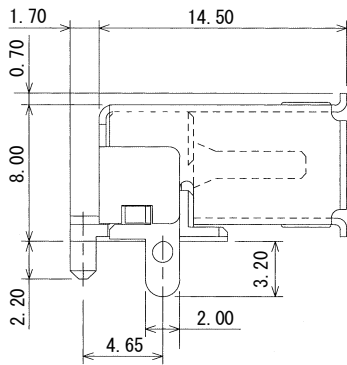
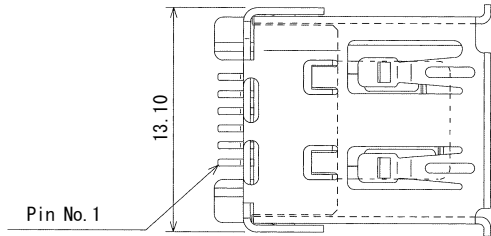
CN-A	WIRE COLOR	CN-B
Pin No.		Pin No.
1	WHITE	1
2	BLACK	2
3	RED	5
4	GREEN	6
5	ORANGE	3
6	BLUE	4
Shell	Shield	Shell

**TABLE-2 (APPLICABLE CABLE)**

DDK P/N	HSB-H□□-A□□	HSB-H□□-B□□
Signal Wire		
Power Wire		
Inner Shield		
Jacket Diam.	φ 6.1mm	φ 5.5mm
Inner Shield	aluminum polyester tape + tinned copper	aluminum polyester tape
Straddle Signal Wire	AWG28	AWG28
Straddle Power Wire	AWG22	AWG22
Straddle Drain Wire	AWG28	AWG28
Hood Dimension "A"	9.6mm	8.4mm
Remark	1394 Standard	Slim Type

## Right Angle Flat Receptacle (SMT Type)

### HSB-ARA62-SN15A



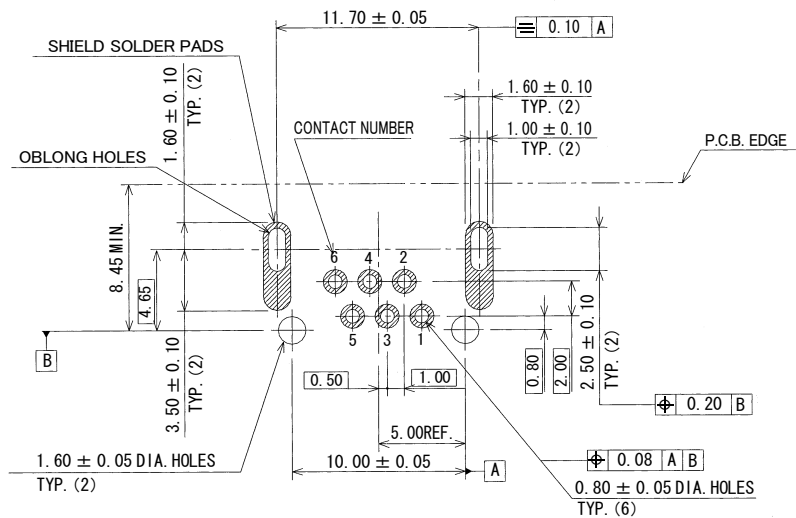
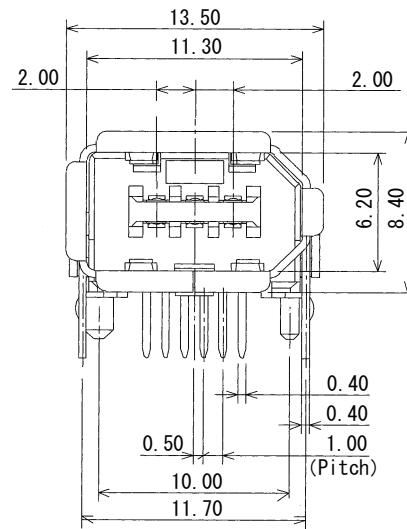
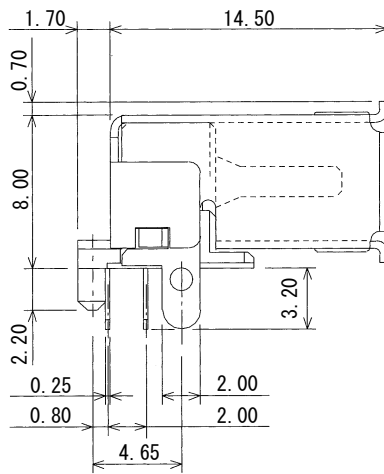
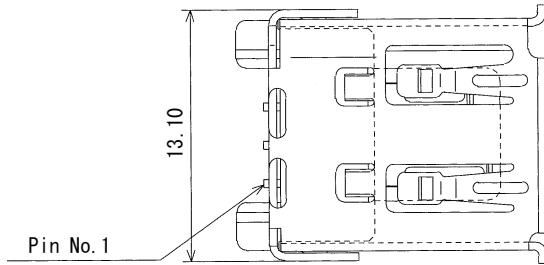
#### PCB Mounting Dimensions

PCB Thickness :  $t=1.60 \pm 0.19$

(Connector Mounting Side)

Right Angle Flat Receptacle (DIP Type)

HSB-ARA62-T115A



PCB Mounting Dimensions  
 PCB Thickness :  $t=1.60 \pm 0.19$   
 ( Connector Mounting Side)

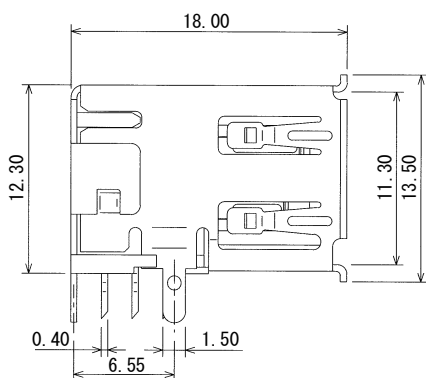
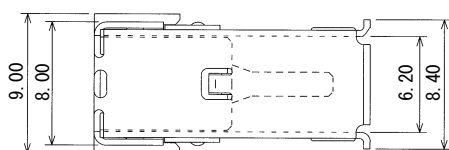
## Right Angle Upright Receptacle (DIP Type)

A  
HSB

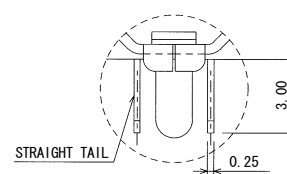
### HSB-ARB62-T215A

**Contact tail length**

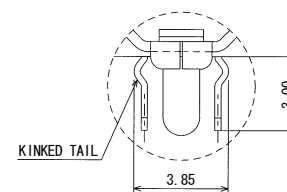
- 2 : 3.0mm without kinked tail
- 3 : 3.0mm with kinked tail



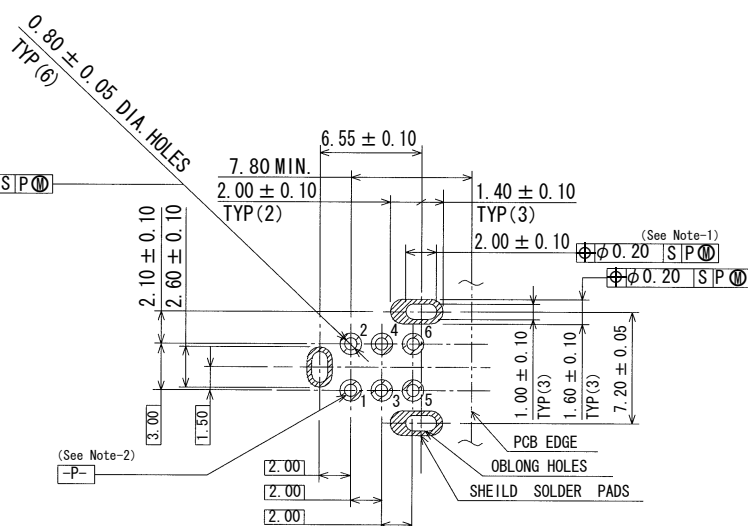
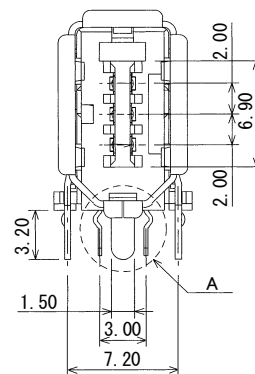
**Detail A**



HSB-ARB62-T215A



HSB-ARB62-T315A



**PCB Mounting Dimensions**

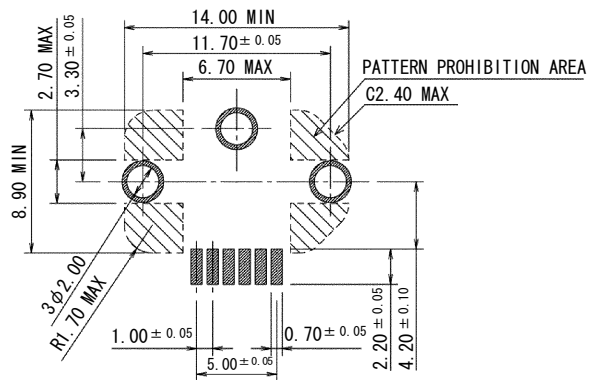
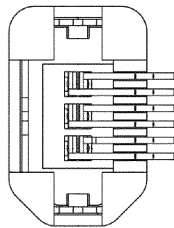
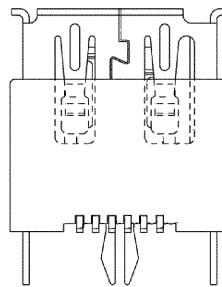
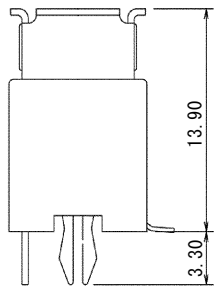
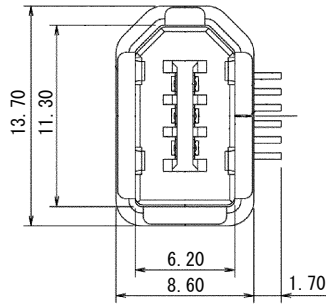
PCB Thickness :  $t=1.60 \pm 0.19$   
( Connector Mounting Side)

**Note**

1. PCB mounting surface is datum S ; thickness is not specified.
2. Datum P hole excluded from positional tolerance.

■ Straight Receptacle (SMT Type)

HSB-ARD64-SN16C



PCB Mounting Dimensions  
 PCB Thickness :  $t=1.60 \pm 0.19$   
 ( Connector Mounting Side)

## Bracket

A  
HSB

### HSB-R001NN

**Board Lock**

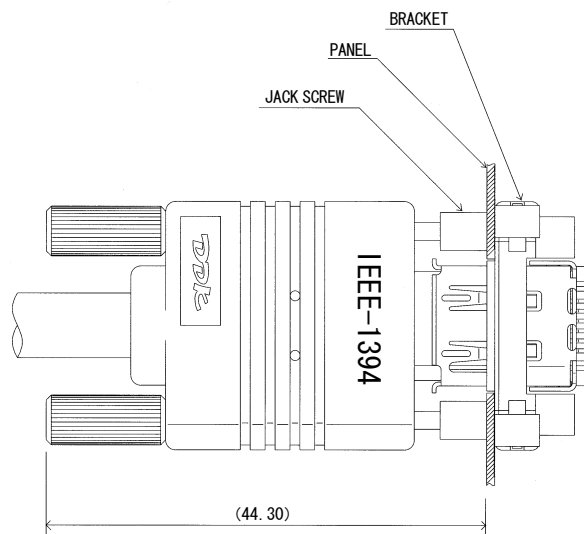
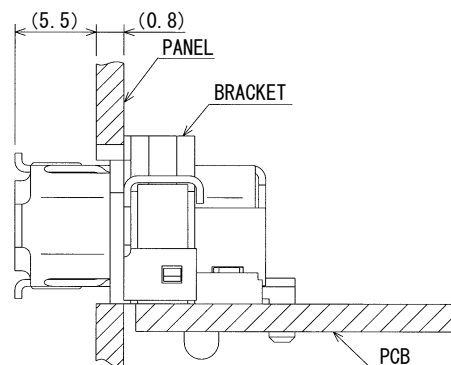
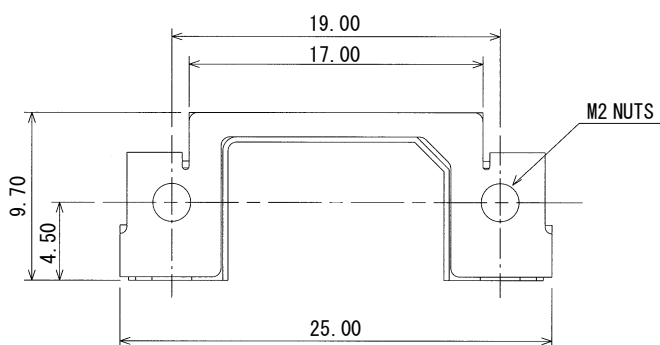
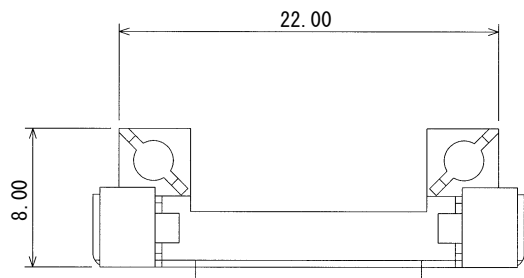
N : WITHOUT BOARD LOCK  
B : WITH BOARD LOCK

**Hard Ware**

N : N/A  
J : WITH JACK SOCKET  
UNASSEMBLED

### FEATURE

- Metal plate for EMI
- Plastic Holder for Electrical Isolation
- Mounting Hole for Jack Screw



**Note**

1. Sales lot or ordering

For each of products, a minimum lot for ordering is specified. Also, there are products which are supplied custom-made. When ordering, please contact us and confirm ordering procedures.

Mating Configuration