

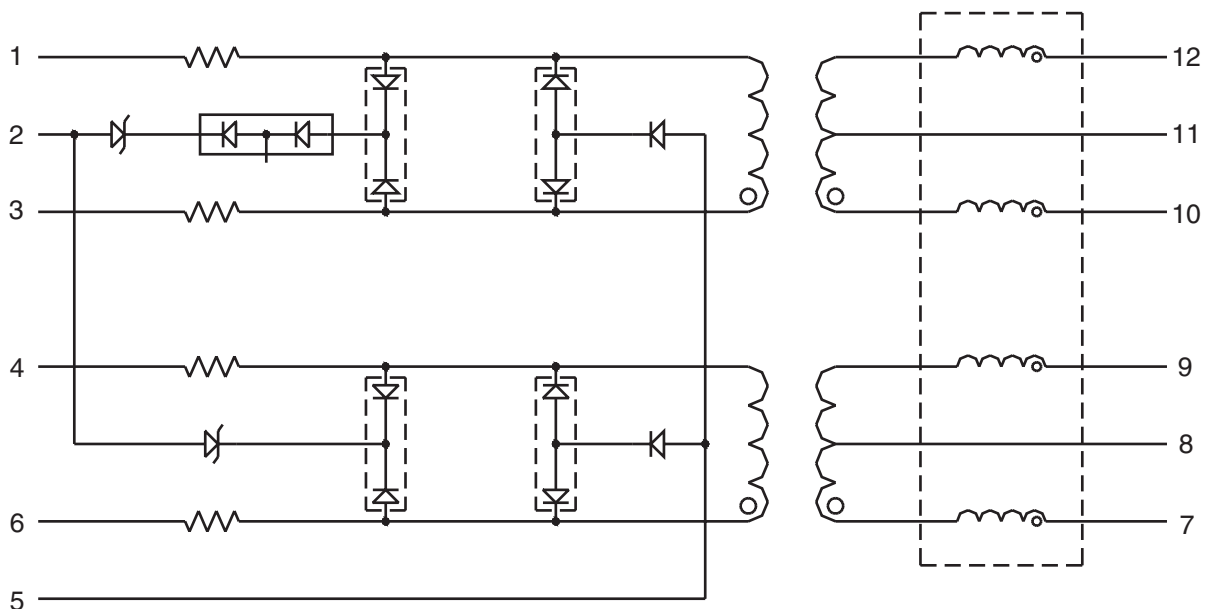
ISDN S Interface Hybrid
APC8966D

ELECTRICAL SPECIFICATIONS @25° C
OPERATING TEMPERATURE 0° TO +70° C

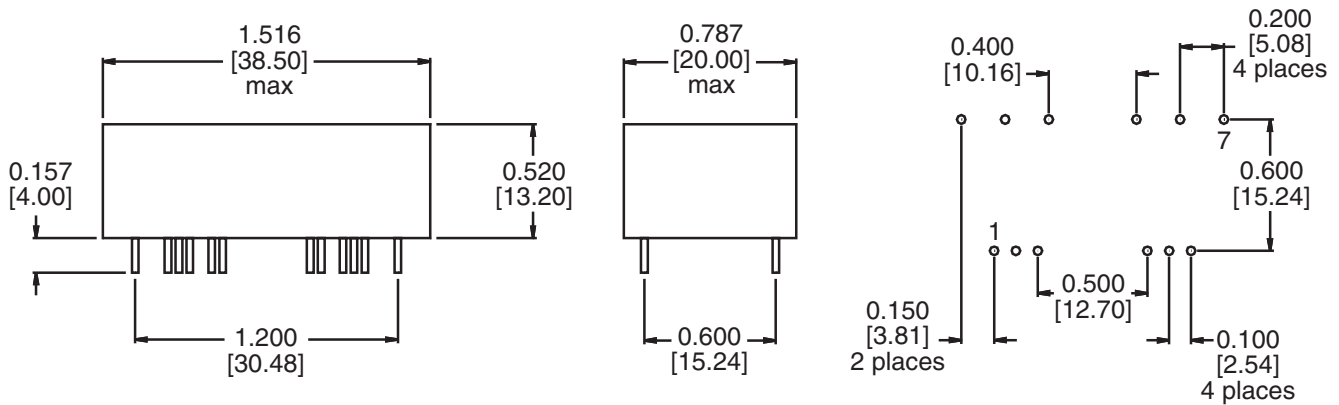
Turns Ratio ±5%	Primary Inductance mH min	Leakage Inductance	Primary Xfmr DCR Ω ±20%		Secondary Xfmr DCR Ω ±20%		Secondary Total DCR Ω ±20%		Choke	
			TX	RX	TX	RX	Pins 1 - 3	Pins 4 - 6	Inductance per line mH nom	DCR per line Ω ±20%
1CT : 2.5	20	12.5	1.2	1.8	2.62	3.33	127	10.2K	0.05	0.6

NOTE: ISOLATION PRI:SEC 4200 Vrms
SINGLE COMPONENT S INTERFACE FRONT END
UL AND EUROPEAN SAFETY QUALIFIED EN41003/EN60950
PAN - EUROPEAN COMPLIANT - NET 31 - CTR3/CCITT
DESIGNED FOR USE WITH MOTOROLA MC145574 IC

SCHEMATIC



MECHANICAL



ALL DIMENSIONS IN INCHES [MM].
TOLERANCE ± 0.2 MM UNLESS OTHERWISE STATED.
PIN DIAMETER 0.75MM MAX

©2003 Bel Fuse Inc. Specifications subject to change without notice. 11.06.03

CORPORATE

Bel Fuse Inc.
206 Van Vorst Street
Jersey City, NJ 07302
Tel 201-432-0463
Fax 201-432-9542
www.belfuse.com

FAR EAST

Bel Fuse Ltd.
8F / 8 Luk Hop Street
San Po Kong
Kowloon, Hong Kong
Tel 852-2328-5515
Fax 852-2352-3706
www.belfuse.com

EUROPE

Bel Stewart Connector
45/46 Riverside
Medway City Estate
Rochester, Kent ME2 4DP U.K.
Tel 44-1634-722890
Fax 44-1634-716677
www.belfuse.com