

# INTEGRATED CONNECTOR MODULES

## 2 x n Multi-port Gigabit belStack™

BM02832

- Multi-port shielded RJ-45 connector with integrated Gigabit Ethernet magnetics
- Compatible with a variety of Gigabit Ethernet transceiver ICs and 10/100Base-TX transceiver ICs
- Operating temperature 0° to +70° C
- Storage temperature -40° to +85° C
- Complies with IEEE 802.3ab standards and all Gigabit Ethernet specifications
- Integrated design conserves valuable board space
- Minimum interwinding breakdown voltage of 1500 Vrms
- Adaptable, modular design provides higher reliability

### ELECTRICAL SPECIFICATIONS AT 25° C

Part Number	Insertion Loss dB max		Return Loss dB min		Common to Differential Mode Rejection dB min	Common to Common Mode Rejection dB min	Crosstalk dB min	Hipot Vrms min
	0.1MHz to 100MHz	100MHz to 125MHz	0.5MHz to 40MHz	40MHz to 100MHz	100KHz to 100MHz	100KHz to 100MHz		
0833-2X4R-33	-0.8	-1.2	-18	-12 + 20 log (f/80 MHz)	-35	-30	-33 + 20 log (f/100MHz)	1500
0833-2X6R-33	-0.8	-1.2	-18	-12 + 20 log (f/80 MHz)	-35	-30	-33 + 20 log (f/100MHz)	1500
0833-2X8R-33	-0.8	-1.2	-18	-12 + 20 log (f/80 MHz)	-35	-30	-33 + 20 log (f/100MHz)	1500
0833-2X4R-54	-0.8	-1.2	-18	-12 + 20 log (f/80 MHz)	-35	-30	-33 + 20 log (f/100MHz)	1500
0833-2X6R-54	-0.8	-1.2	-18	-12 + 20 log (f/80 MHz)	-35	-30	-33 + 20 log (f/100MHz)	1500
0833-2X8R-54	-0.8	-1.2	-18	-12 + 20 log (f/80 MHz)	-35	-30	-33 + 20 log (f/100MHz)	1500

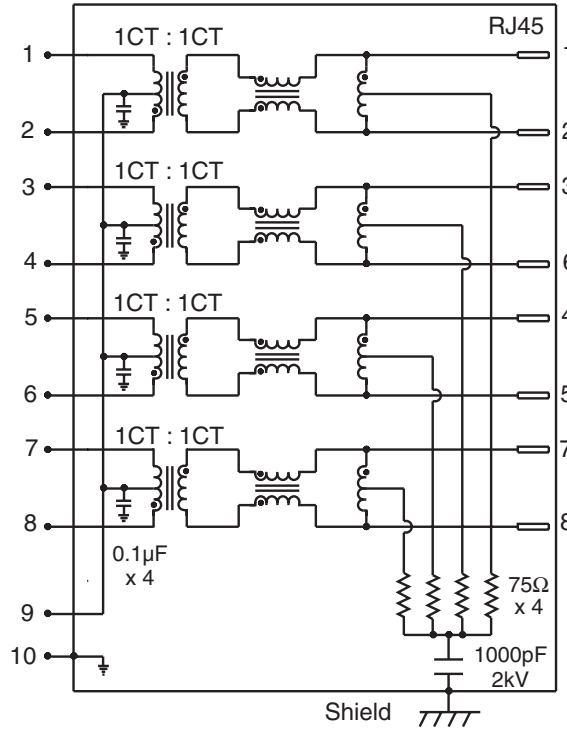
#### Available Options

- Various transformer turns ratios
- Various high voltage capacitor values

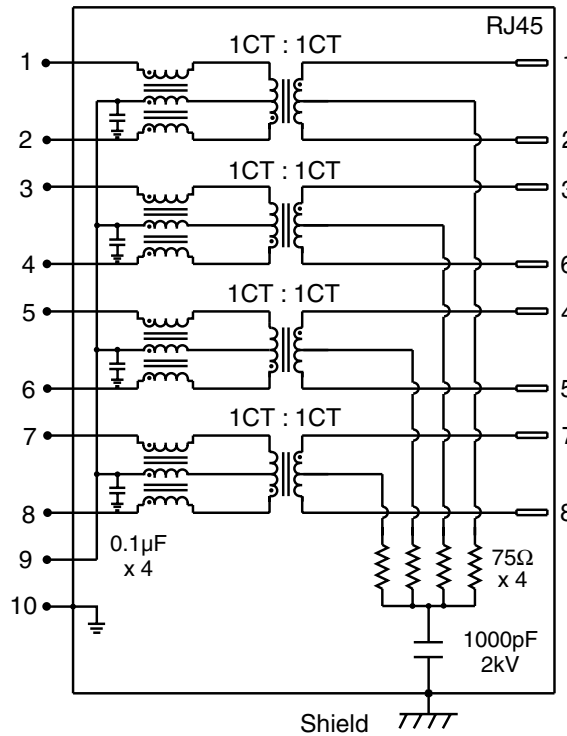
BM02832

### SCHEMATICS

0833-2X4R-33  
 0833-2X6R-33  
 0833-2X8R-33



0833-2X4R-54  
 0833-2X6R-54  
 0833-2X8R-54



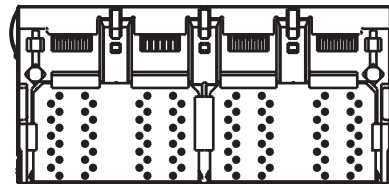
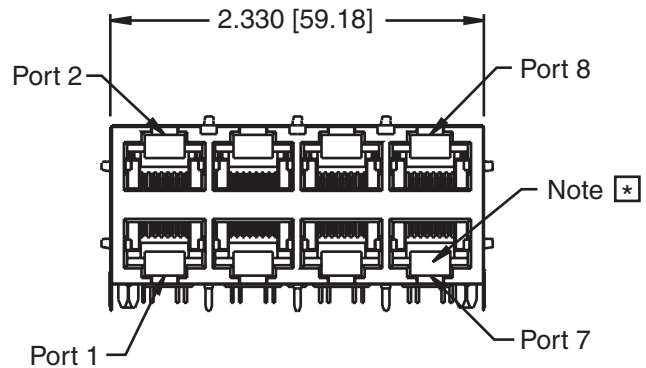
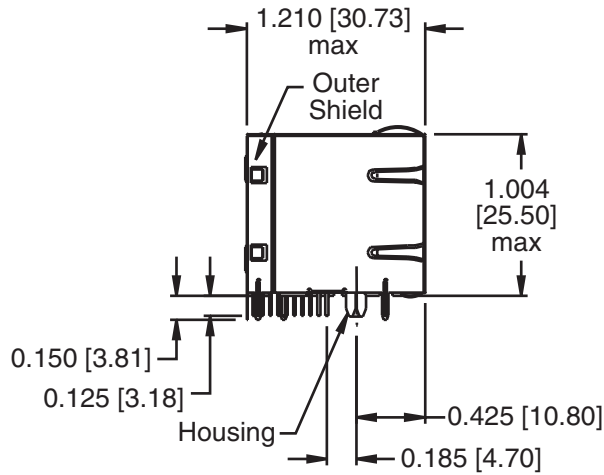
# INTEGRATED CONNECTOR MODULES

## 2 x n Multi-port Gigabit belStack™

BM02832

### MECHANICAL

0833-2X4R-33  
0833-2X4R-54



Dimensions are in inches [millimeters].  
Standard dimension tolerance is  $\pm 0.010$  [0.25] unless otherwise noted.

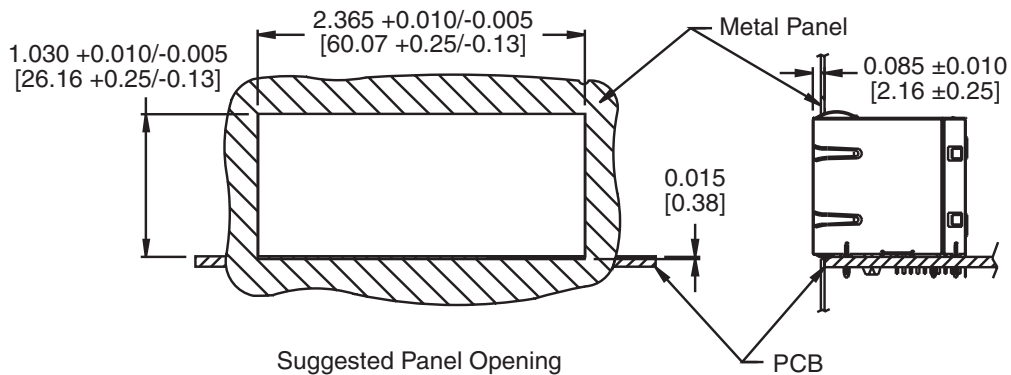
### Notes

Plastic Housing	Thermoplastic, flammability rating UL 94V-0
Contacts	50 micro-inch hard gold plating
Pins	Tin-coated copper wire, DIA 0.018" [0.46]
Solderability	Per MIL Std. 202, Method 208
Metal Shield	Nickel plated copper alloy

### Packing Quantity

20 pieces finished goods per tray  
7 trays per carton box for a total of  
140 pieces of finished goods

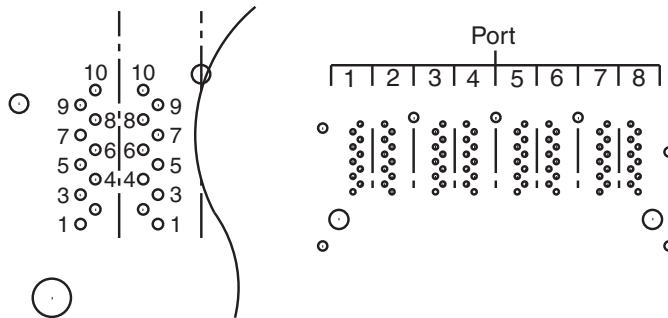
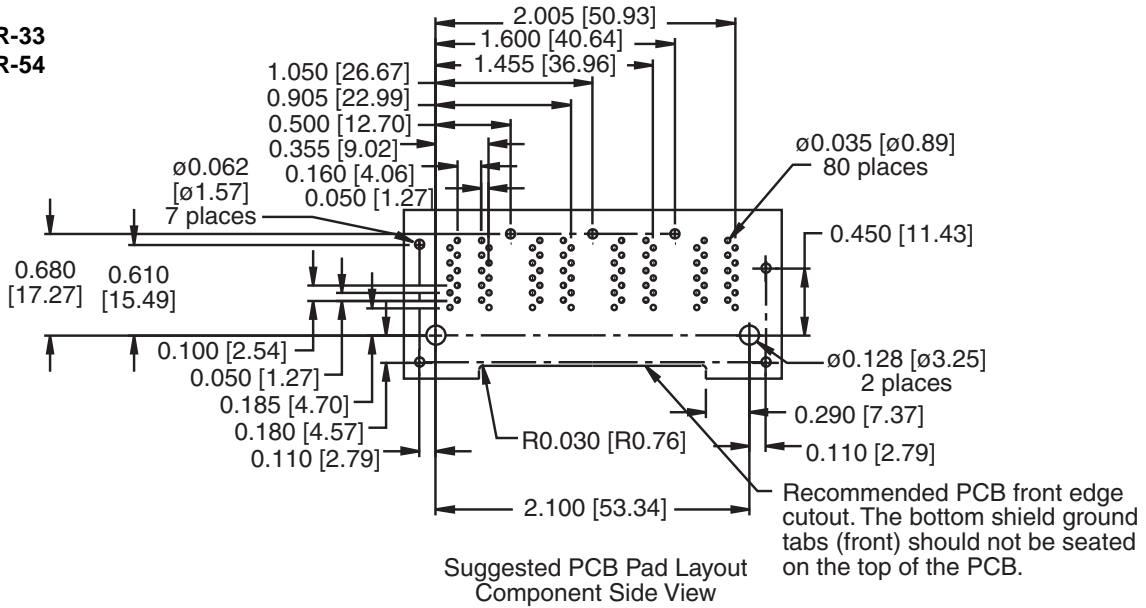
\*Jack cavity conforms to FCC rules and regulations, part 68, subpart F.



BM02832

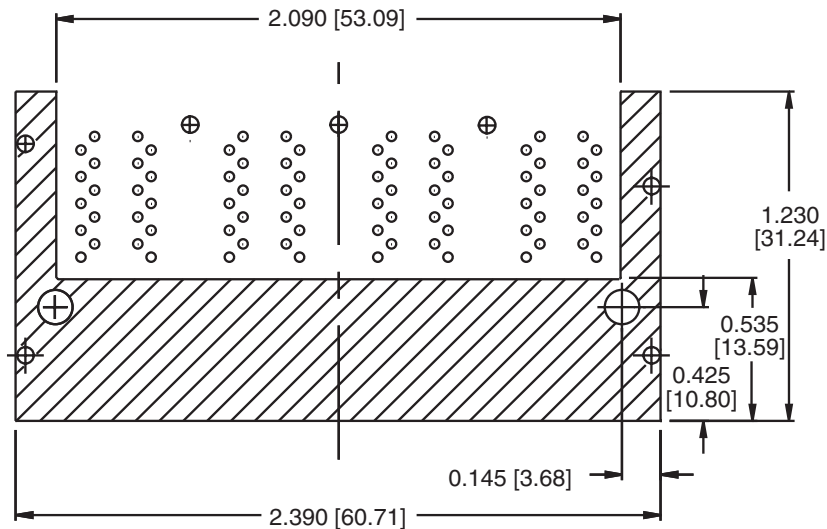
### PAD LAYOUT

0833-2X4R-33  
0833-2X4R-54



### Note

The shaded area of bottom side of part may be covered by metal shield.

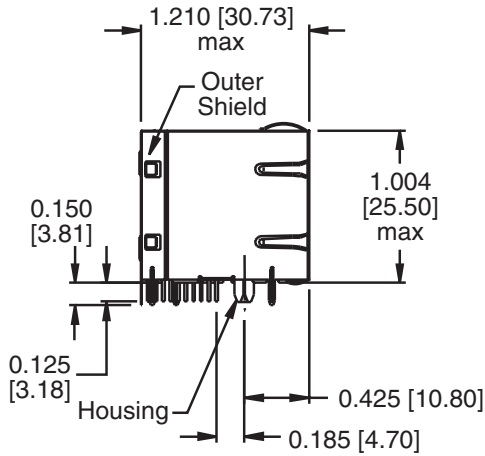


BM02832

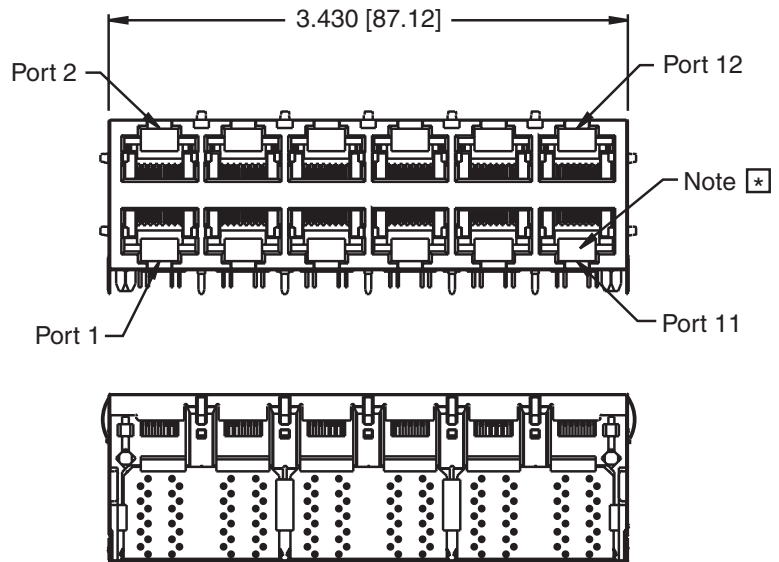
### MECHANICAL

0833-2X6R-33

0833-2X6R-54



Dimensions are in inches [millimeters].  
Standard dimension tolerance is  $\pm 0.010$  [0.25] unless otherwise noted.



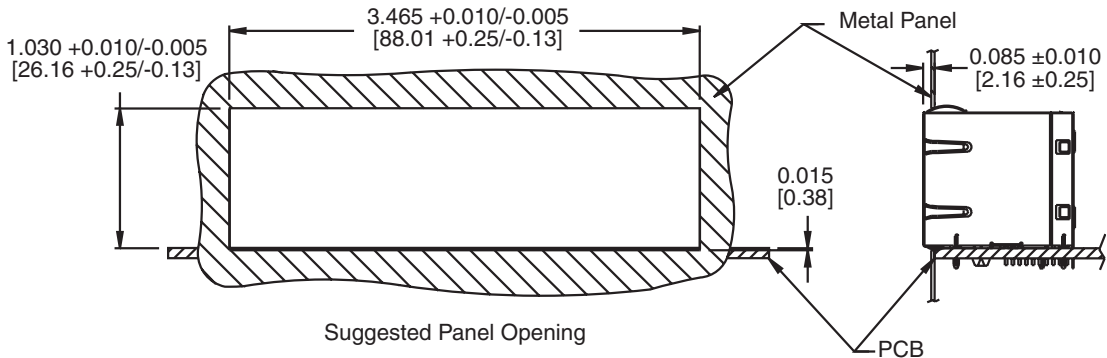
### Notes

Plastic Housing	Thermoplastic, flammability rating UL 94V-0
Contacts	50 micro-inch hard gold plating
Pins	Tin-coated copper wire, DIA 0.018" [0.46]
Solderability	Per MIL Std. 202, Method 208
Metal Shield	Nickel plated copper alloy

### Packing Quantity

15 pieces finished goods per tray  
7 trays per carton box for a total of  
105 pieces of finished goods

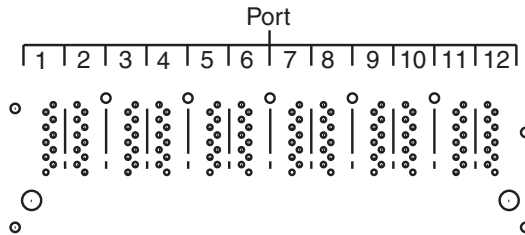
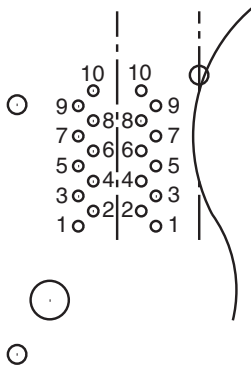
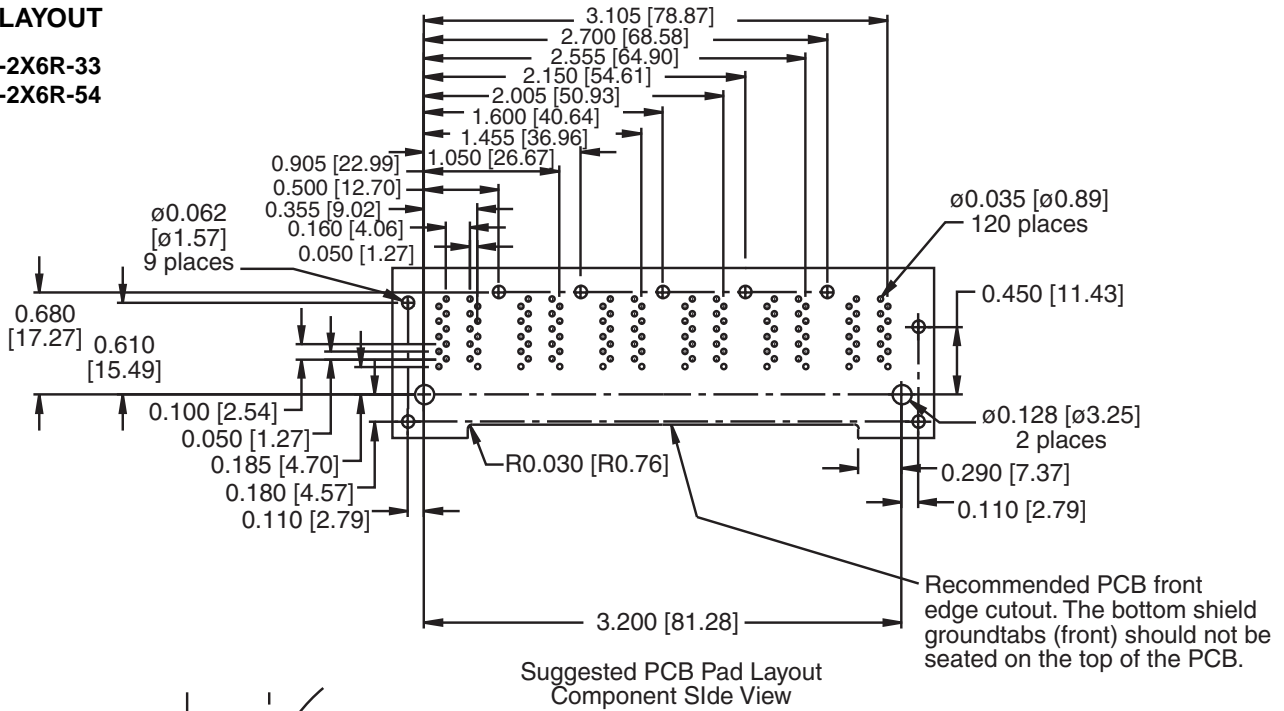
\*Jack cavity conforms to FCC rules and regulations, part 68, subpart F.



BM02832

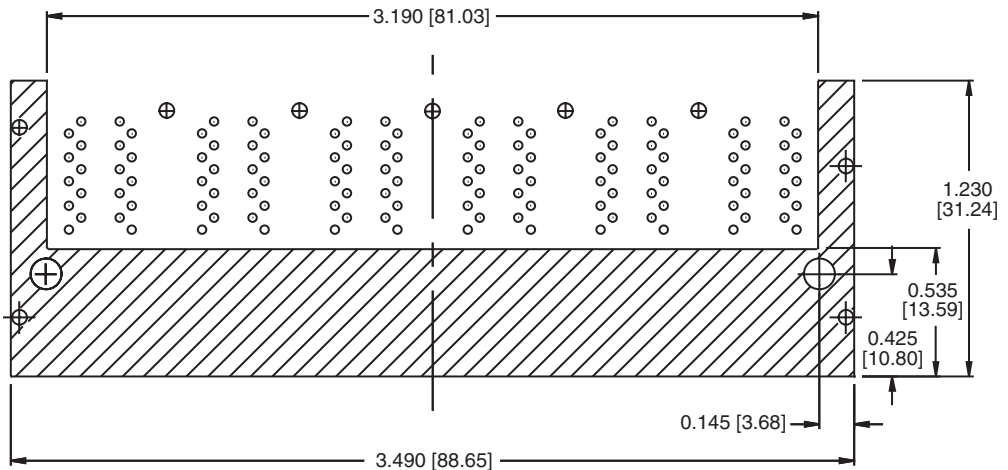
#### PAD LAYOUT

0833-2X6R-33  
0833-2X6R-54



#### Note

The shaded area of bottom side of part may be covered by metal shield.

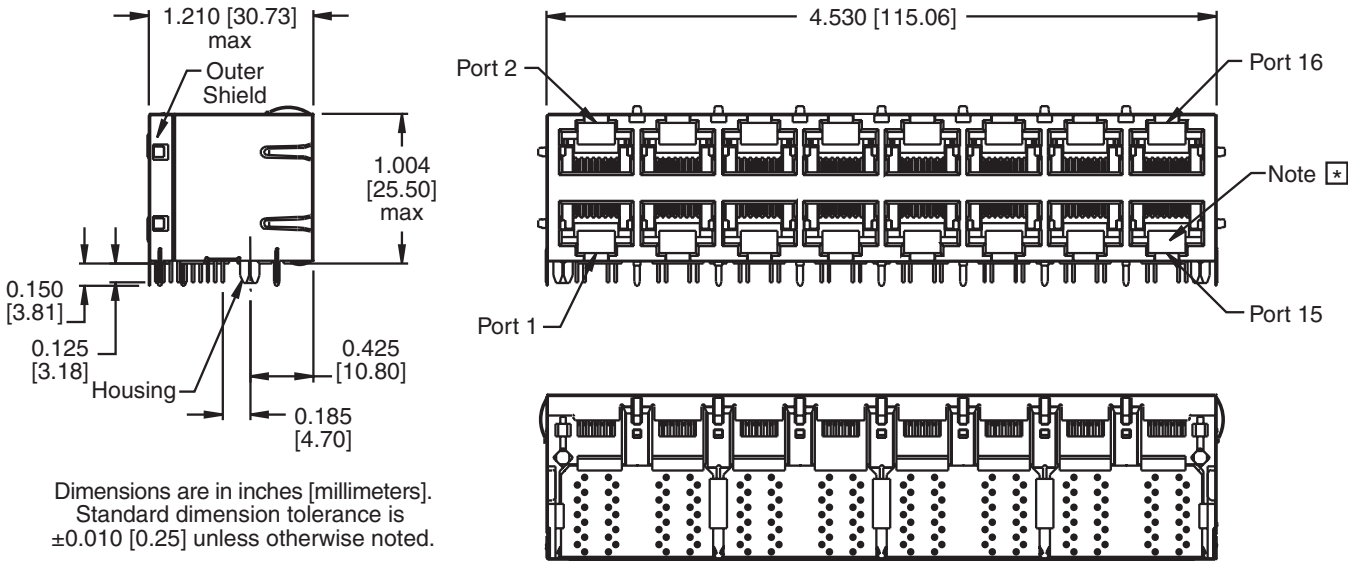


BM02832

#### MECHANICAL

0833-2X8R-33

0833-2X8R-54



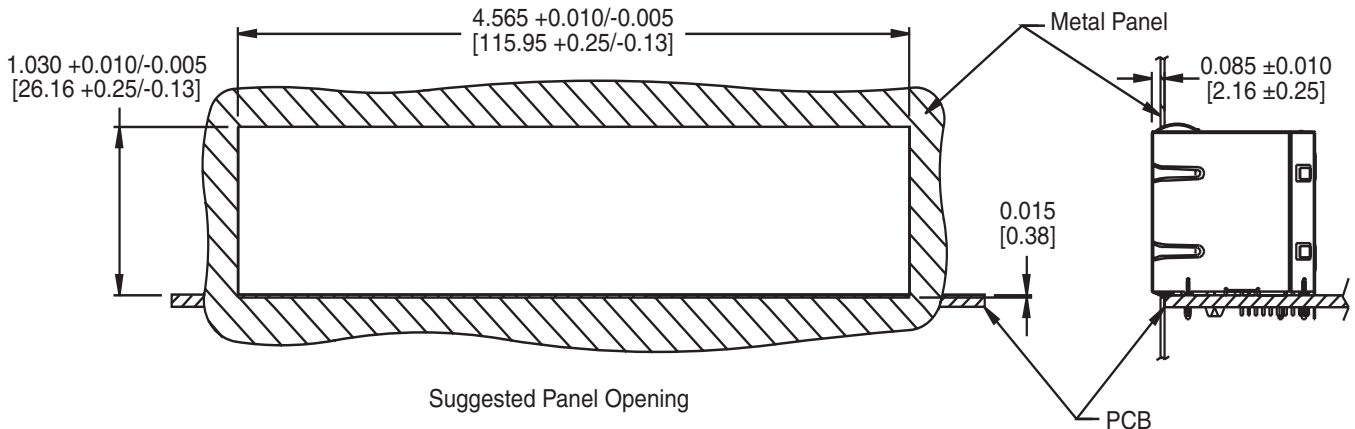
#### Notes

Plastic Housing	Thermoplastic, flammability rating UL 94V-0
Contacts	50 micro-inch hard gold plating
Pins	Tin-coated copper wire, DIA 0.018" [0.46]
Solderability	Per MIL Std. 202, Method 208
Metal Shield	Nickel plated copper alloy

#### Packing Quantity

10 pieces finished goods per tray  
7 trays per carton box for a total of  
70 pieces of finished goods

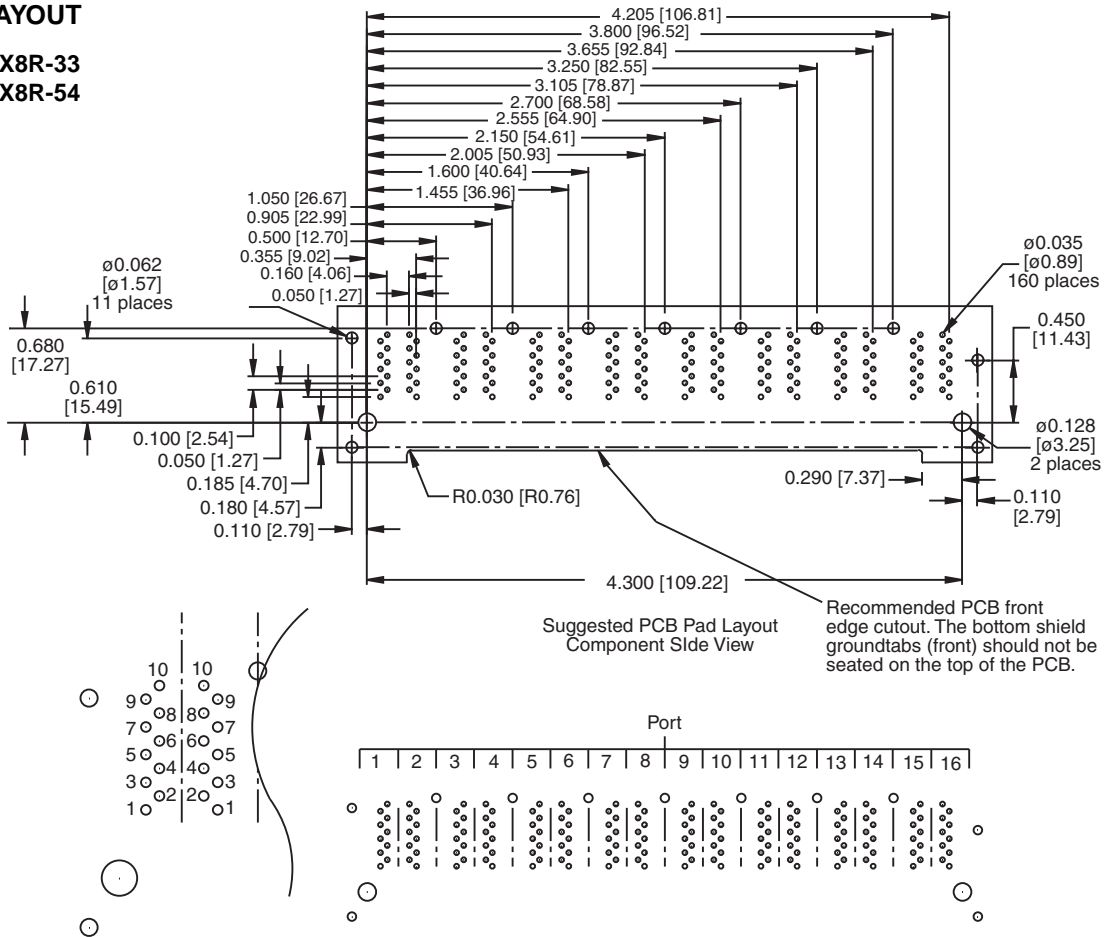
\*Jack cavity conforms to FCC rules and regulations, part 68, subpart F.



BM02832

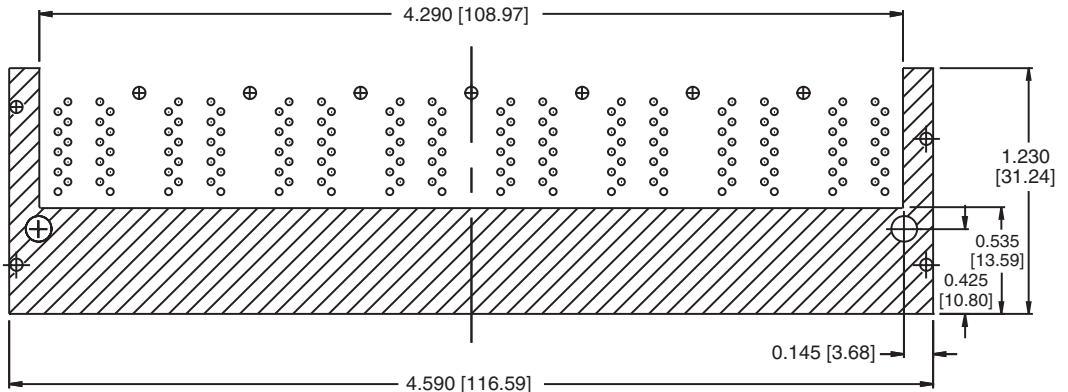
### PAD LAYOUT

0833-2X8R-33  
0833-2X8R-54



### Note

The shaded area of bottom side of part may be covered by metal shield.



©2002 Bel Fuse Inc. Specifications subject to change without notice. 07.04

### CORPORATE

**Bel Fuse Inc.**  
206 Van Vorst Street  
Jersey City, NJ 07302  
Tel 201-432-0463  
Fax 201-432-9542  
www.belfuse.com

### FAR EAST

**Bel Fuse Ltd.**  
8F / 8 Luk Hop Street  
San Po Kong  
Kowloon, Hong Kong  
Tel 852-2328-5515  
Fax 852-2352-3706  
www.belfuse.com

### EUROPE

**Bel Fuse Europe Ltd.**  
Preston Technology Management Centre  
Marsh Lane, Suite G7, Preston  
Lancashire, PR1 8UD, U.K.  
Tel 44-1772-556601  
Fax 44-1772-888366  
www.belfuse.com