

# 2.50mm (0.098") PITCH CONNECTOR

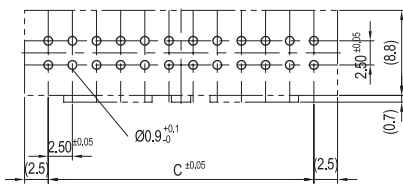
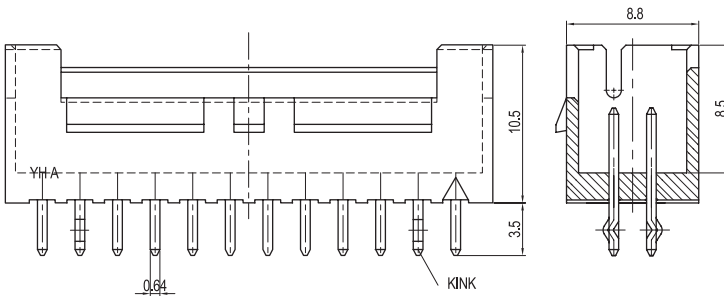
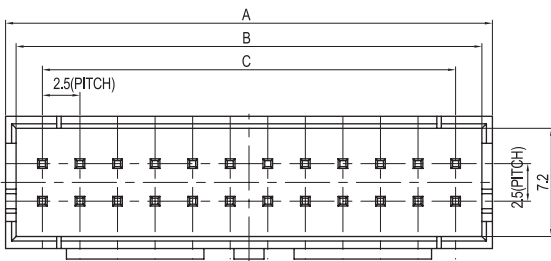
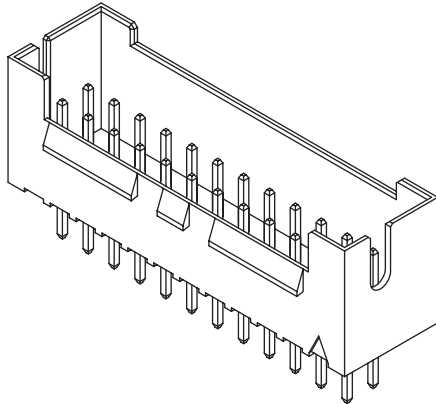


Wire-to-Board  
Wafer

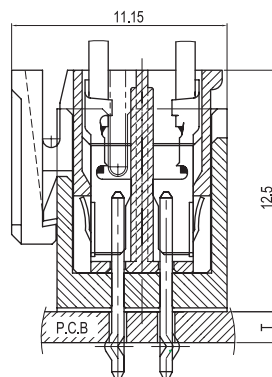
SMW250-NNV Series

DIP

Straight



PCB LAYOUT



PCB ASS'Y

## Material

I/NO	DESCRIPTION	TITLE	MATERIAL
1	WAFER	SMW250-NNV	PA66, UL94 V Grade
2	PIN		Brass & Tin-Plated

## Available Pin

PARTS NO.	A	B	C
SMW250 - 04V	7.45	5.8	2.50
SMW250 - 06V	9.95	8.3	5.00
SMW250 - 08V	12.45	10.8	7.50
SMW250 - 10V	14.95	13.3	10.00
SMW250 - 12V	17.45	15.8	12.50
SMW250 - 14V	19.95	18.3	15.00
SMW250 - 16V	22.45	20.8	17.50
SMW250 - 18V	24.95	23.3	20.00
SMW250 - 20V	27.45	25.8	22.50
SMW250 - 22V	29.95	28.3	25.00
SMW250 - 24V	32.45	30.8	27.50
SMW250 - 26V	34.95	33.3	30.00
SMW250 - 28V	37.45	35.8	32.50
SMW250 - 30V	39.95	38.3	35.00

## Specification

ITEM	SPEC
Voltage Rating	AC/DC 250V
Current Rating	AC/DC 3A
Operating Temperature	-25°C~+85°C
Contact Resistance	30mΩ MAX
Withstanding Voltage	AC1000V/1min
Insulation Resistance	1000MΩ MIN
Applicable Wire	-
Applicable P.C.B	1.2~1.6mm
Applicable FPC/FFC	-
Solder Height	-
Crimp Tensile Strength	-
UL FILE NO	E108706