

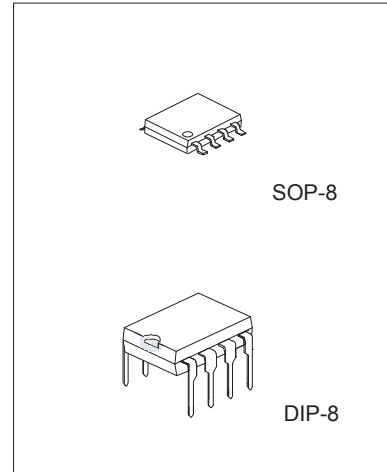
Dual Operational Amplifier

DESCRIPTION

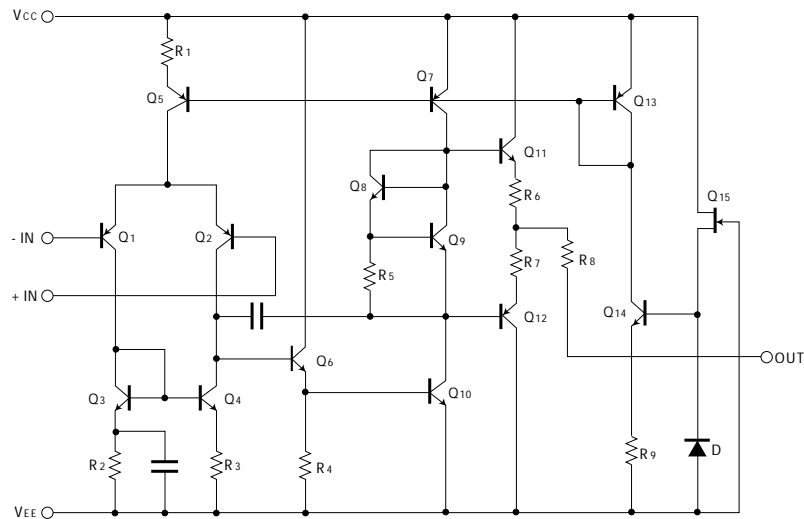
The CO4558 is a high performance monolithic dual operational amplifier

FEATURES

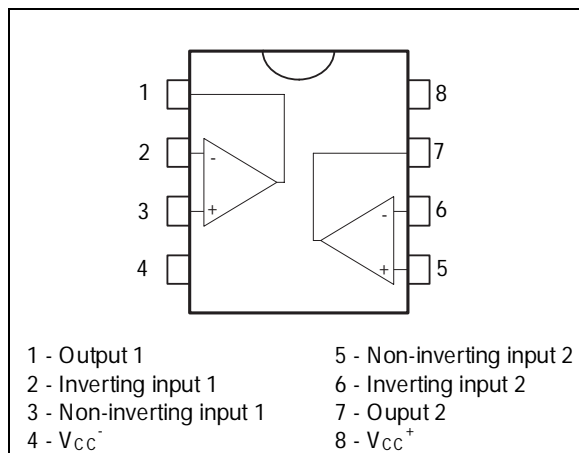
- No frequency compensation required
- No latch-up
- Large common mode and differential voltage range
- Parameter tracking over temperature range
- Gain and phase match between amplifiers
- Internally frequency compensated
- Low noise input transistors
- Pin to pin compatible with MC1458 / LM358



BLOCK DIAGRAM (ONE SECTION ONLY)



PIN CONFIGURATION

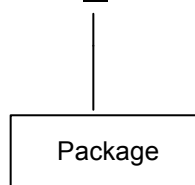


* All specs and applications shown above subject to change without prior notice.

Dual Operational Amplifier

ORDERING INFORMATION

CO4558N



Blank SO-8
N=PDIP8
A=SO-8 & taping

MAXIMUM RATINGS

PARAMETER	SYMBOL	VALUE	UNIT
Supply Voltage	V _{CC}	± 22	V
Differential Input Voltage	V _{I(DIFF)}	± 18	V
Input Voltage	V _I	± 15	V
Operating Temperature	TOPR	0 ~ +70	°C
Power Dissipation	P _D	600 400	mW
Storage Temperature Range	TSTG	-65 ~ +150	°C

ELECTRICAL CHARACTERISTICS (V_{CC}=15.0V, V_{EE}= -15V, T_A=25°C, unless otherwise specified)

PARAMETER	SYMBOL	TEST CONDUCTION	MIN	TYP	MAX	UNIT
Supply Current, all Amp, no load	I _{CC}			3.5	5.6	mA
Input offset voltage	V _{IO}	R _S ≤ 10kΩ		2	6	mV
Input offset current	I _{IO}			5	200	nA
Input bias current	I _{BIAS}			30	500	nA
Large signal voltage gain	G _v	V _{O(p-p)} = ±10V, R _L ≤ 2kΩ	20	200		V/mV
Common Mode Input Voltage Range	V _{I(R)}		±12	±13		V
Common Mode Rejection Ratio	CMRR	R _S ≤ 10kΩ	70	90		dB
Supply Voltage Rejection Ratio	PSRR	R _S ≤ 10kΩ	76	90		dB
Output Voltage swing	V _{O(p-p)}	R _L ≥ 10kΩ		±12	±14	V
Power Consumption	P _c			70	170	mW
Slew Rate	SR	V _i = ± 10V, R _L ≥ 2kΩ, C _L ≤ 100pF	1.2	2.2		V/μs
Rise Time	T _{RISE}	V _i = ± 20mV, R _L ≥ 2kΩ, C _L ≤ 100pF		0.3		μs
Overshoot	OS	V _i = ± 20mV, R _L ≥ 2kΩ, C _L ≤ 100pF		15		%
Input Resistance	R _i		0.3	2		MΩ
Output Resistance	R _o			75		Ω
Total Harmonic Distortion	THD	f=1kHz, A _v =20dB, R _L =2kΩ, V _o =2V _{pp} , C _L =100pF		0.008		%
Channel Separation	V _{o1} /V _{o2}			120		dB

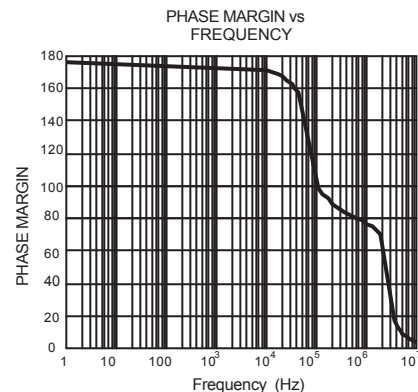
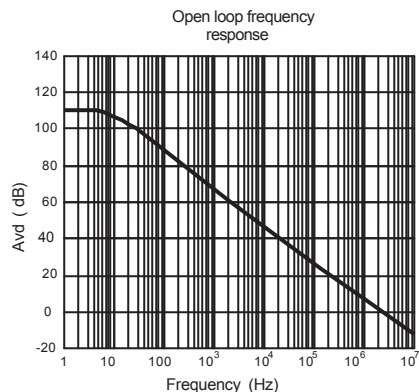
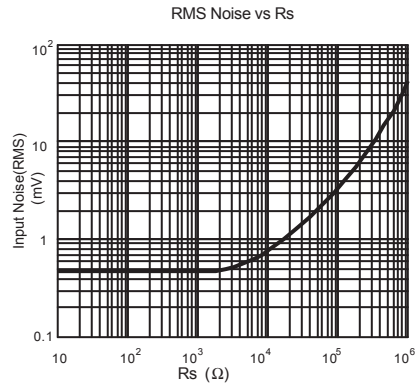
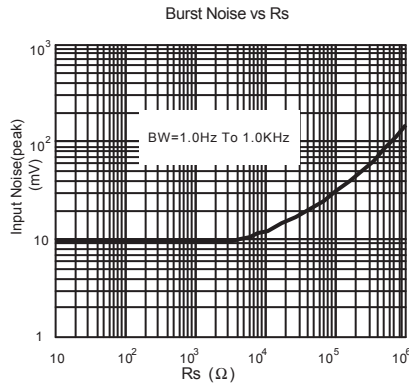
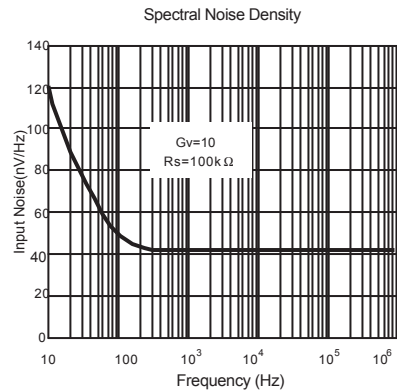
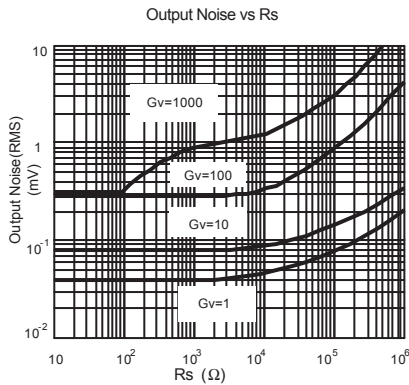
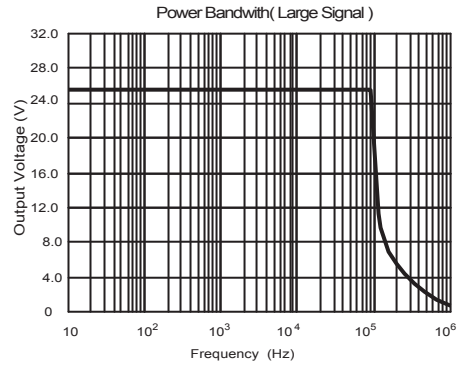
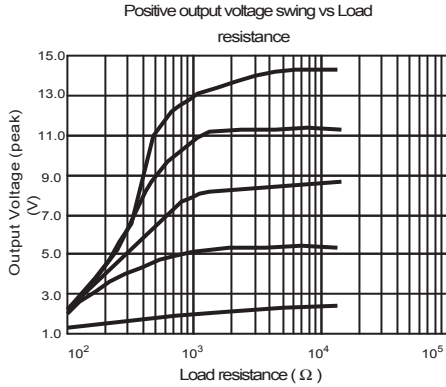
FREQUENCY CHARACTERISTICS (T_a=25°C, V_{CC}=15V, V_{EE}=-15V)

PARAMETER	SYMBOL	TEST CONDUCTION	MIN	TYP	MAX	UNIT
Unity Gain Bandwidth	BW		2.0	2.8		MHz

* All specs and applications shown above subject to change without prior notice.

Dual Operational Amplifier

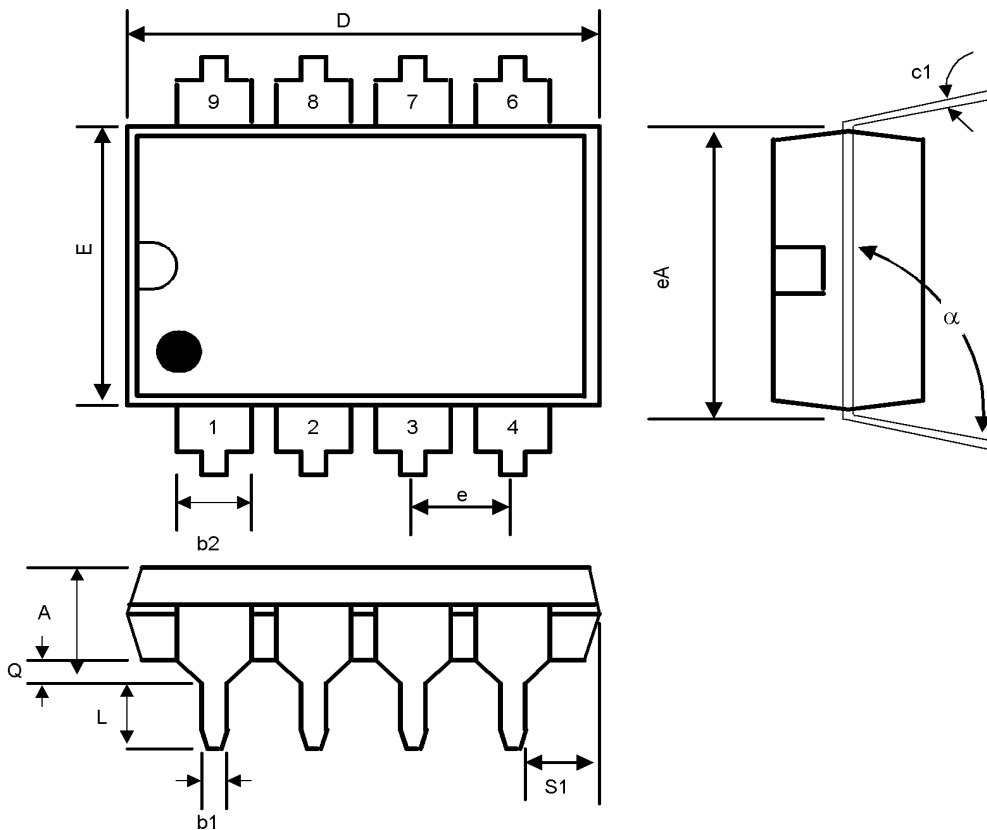
TYPICAL PERFORMANCE CHARACTERISTICS



* All specs and applications shown above subject to change without prior notice.

Dual Operational Amplifier

Package Outlines : DIP-8

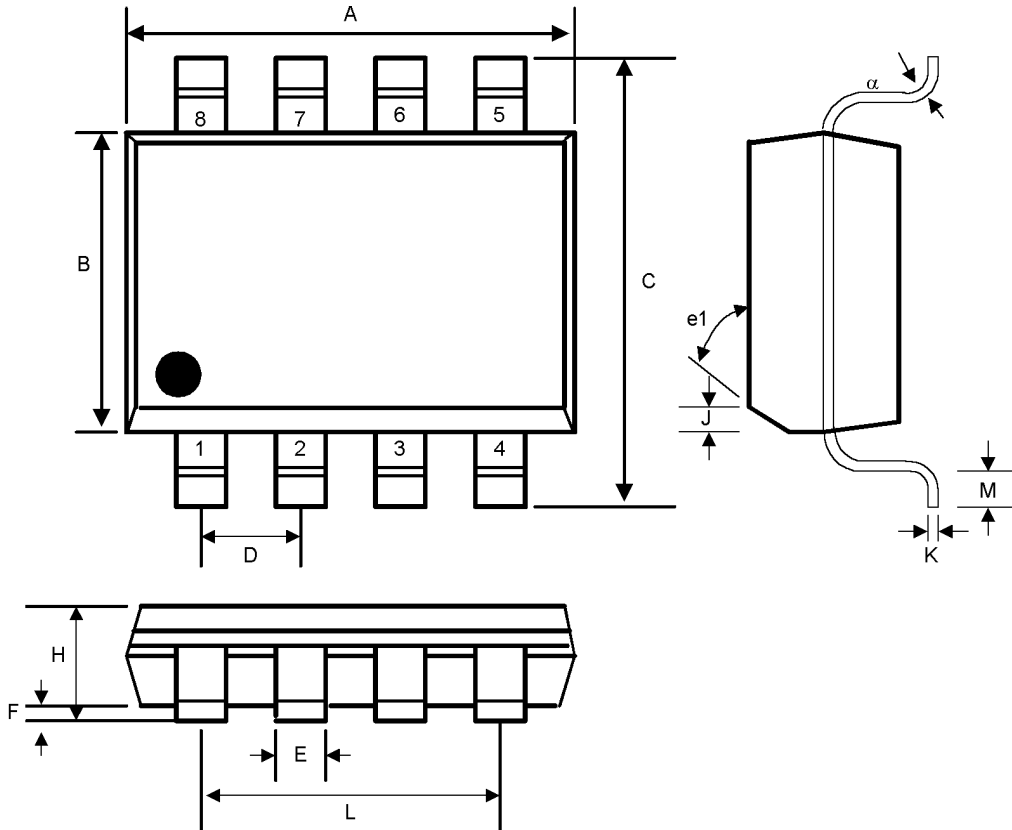


SYMBOL	INCHES		MILLIMETERS		NOTES
	MIN	MAX	MIN	MAX	
A	-	0.200	-	5.08	-
b1	0.014	0.023	0.36	0.58	-
b2	0.045	0.065	1.14	1.65	-
c1	0.008	0.015	0.20	0.38	-
D	0.355	0.400	9.02	10.16	-
E	0.220	0.310	5.59	7.87	-
e	0.100 BSC		2.54 BSC		-
eA	0.300 BSC		7.62 BSC		-
L	0.125	0.200	3.18	5.08	-
Q	0.015	0.060	0.38	1.52	-
s1	0.005	-	0.13	-	-
	90 ⁰	105 ⁰	90 ⁰	105 ⁰	-

* All specs and applications shown above subject to change without prior notice.

Dual Operational Amplifier

Small Outline SOP-8



SYMBOL	INCHES		MILLIMETERS		NOTES
	MIN	MAX	MIN	MAX	
A	0.188	0.197	4.80	5.00	-
B	0.149	0.158	3.80	4.00	-
C	0.228	0.244	5.80	6.20	-
D	0.050 BSC		1.27 BSC		-
E	0.013	0.020	0.33	0.51	-
F	0.004	0.010	0.10	0.25	-
H	0.053	0.069	1.35	1.75	-
J	0.011	0.019	0.28	0.48	-
K	0.007	0.010	0.19	0.25	-
M	0.016	0.050	0.40	1.27	-
L	0.150 REF		3.81 REF		-
e1	45°		45°		-
	0°	8°	0°	8°	-

* All specs and applications shown above subject to change without prior notice.