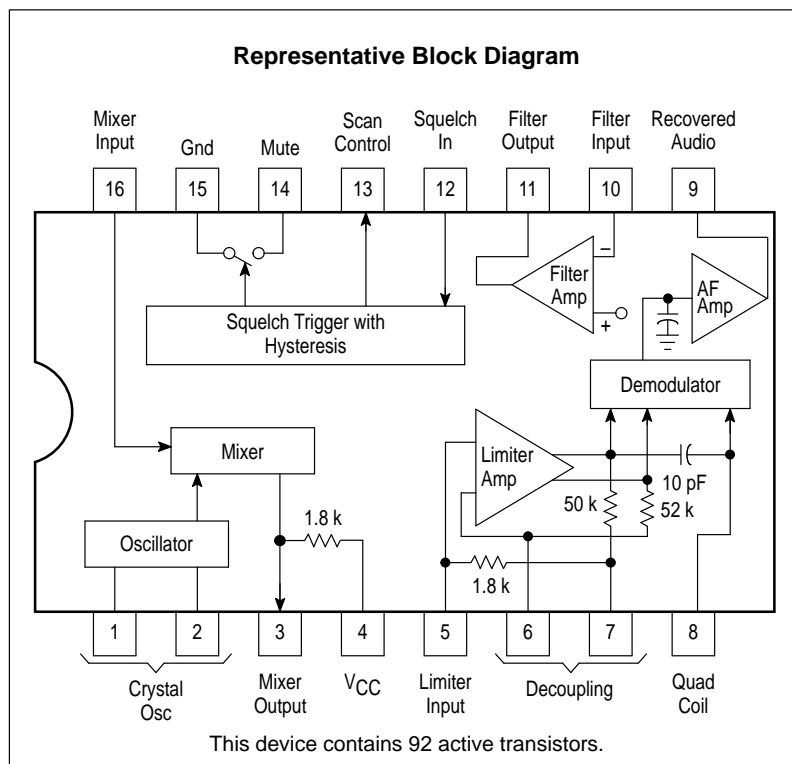


Low Power Narrowband FM IF

The CM5018 includes an Oscillator, Mixer, Limiting Amplifier, Quadrature Discriminator, Active Filter, Squelch, Scan Control and Mute Switch. This device is designed for use in FM dual conversion communications equipment.

- Operates from 2.0 to 8.0 V Supply
- Low Drain Current 2.8 mA Typical @ $V_{CC} = 4.0$ Vdc
- Excellent Sensitivity: Input Limiting Voltage –
– 3.0 dB = 2.6 μ V Typical
- Low Number of External Parts Required
- Operating Frequency Up to 60 MHz
- Full ESD Protection



* All specs and applications shown above subject to change without prior notice.



CM5018

(Preliminary)

Low Power Narrowband FM IF

MAXIMUM RATINGS ($T_A = 25^\circ\text{C}$, unless otherwise noted.)

Rating	Pin	Symbol	Value	Unit
Power Supply Voltage	4	$V_{CC}(\text{max})$	10	Vdc
Operating Supply Voltage Range	4	V_{CC}	2.0 to 8.0	Vdc
Detector Input Voltage	8	–	1.0	Vp-p
Input Voltage ($V_{CC} \geq 4.0\text{ V}$)	16	V_{16}	1.0	V_{RMS}
Mute Function	14	V_{14}	-0.5 to +5.0	V_{pk}
Junction Temperature	–	T_J	150	$^\circ\text{C}$
Operating Ambient Temperature Range	–	T_A	-30 to +70	$^\circ\text{C}$
Storage Temperature Range	–	T_{stg}	-65 to +150	$^\circ\text{C}$

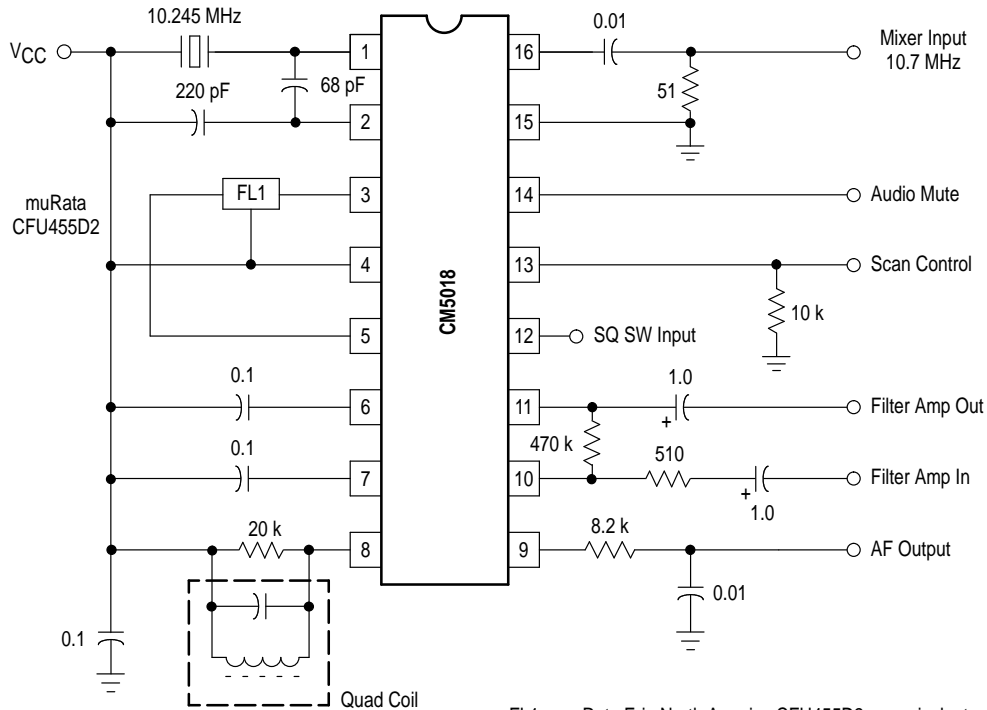
ELECTRICAL CHARACTERISTICS ($V_{CC} = 4.0\text{ Vdc}$, $f_o = 10.7\text{ MHz}$, $\Delta f = \pm 3.0\text{ kHz}$, $f_{mod} = 1.0\text{ kHz}$, $T_A = 25^\circ\text{C}$, unless otherwise noted.)

Characteristic	Pin	Min	Typ	Max	Unit
Drain Current (No Signal)	4	Squelch "Off"	2.8	3.5	mA
		Squelch "On"	3.7	6.3	
Recovered Audio Output Voltage ($V_{in} = 10\text{ mVrms}$)	9	130	170	210	mVrms
Input Limiting Voltage (-3.0 dB Limiting)	16	–	2.6	6.0	μV
Total Harmonic Distortion	9	–	0.86	–	%
Recovered Output Voltage (No Input Signal)	9	60	190	350	mVrms
Drop Voltage AF Gain Loss	9	-3.0	-0.6	–	dB
Detector Output Impedance	–	–	450	–	Ω
Filter Gain (10 kHz) ($V_{in} = 0.3\text{ mVrms}$)	–	40	50	–	dB
Filter Output Voltage	11	0.5	0.7	0.9	Vdc
Mute Function Low	14	–	30	50	Ω
Mute Function High	14	1.0	11	–	$\text{M}\Omega$
Scan Function Low (Mute "Off") ($V_{12} = 1.0\text{ Vdc}$)	13	–	0	0.4	Vdc
Scan Function High (Mute "On") ($V_{12} = \text{Gnd}$)	13	3.0	3.9	–	Vdc
Trigger Hysteresis	–	–	45	100	mV
Mixer Conversion Gain	3	–	28	–	dB
Mixer Input Resistance	16	–	3.3	–	$\text{k}\Omega$
Mixer Input Capacitance	16	–	9.0	–	pF

* All specs and applications shown above subject to change without prior notice.

Low Power Narrowband FM IF

Figure 1. Test Circuit



FL1 – muRata Erie North America CFU455D2 or equivalent

Quadrature Coil – Toko America Type 7MC-8128Z or equivalent

C – μF , unless noted

Figure 2. Audio Output, Distortion versus Supply Voltage

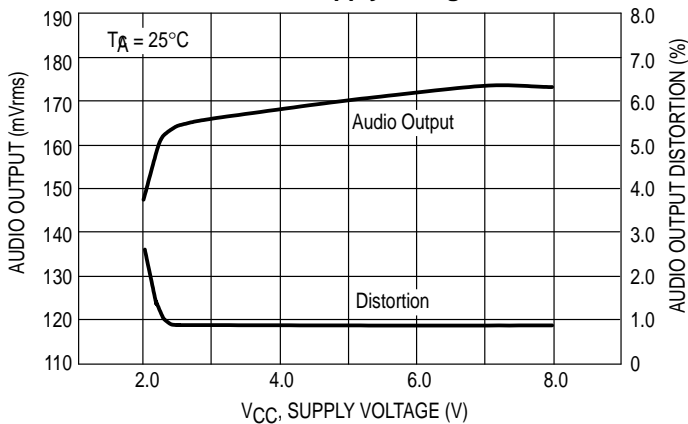
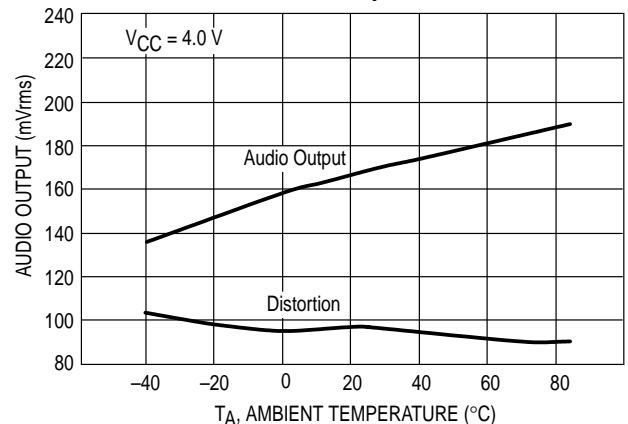


Figure 3. Audio Output, Distortion versus Temperature



* All specs and applications shown above subject to change without prior notice.

Low Power Narrowband FM IF

Figure 4. Input Limiting Voltage

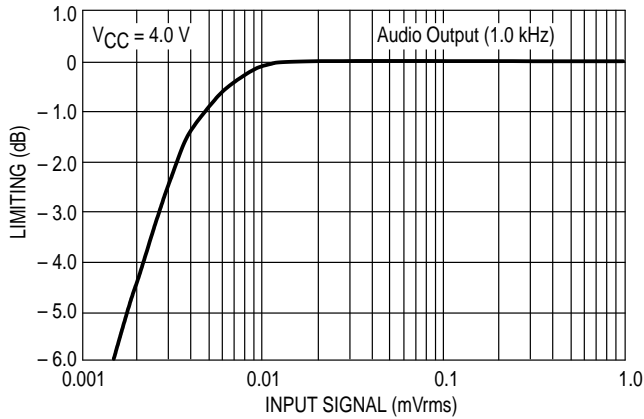


Figure 5. Overall Gain, Noise and AM Rejection

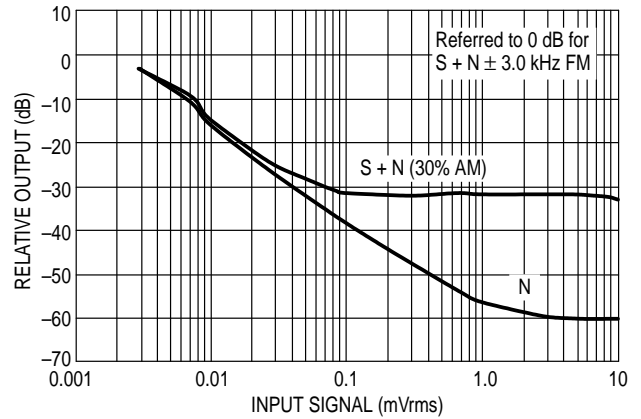


Figure 6. Filter Amp Response

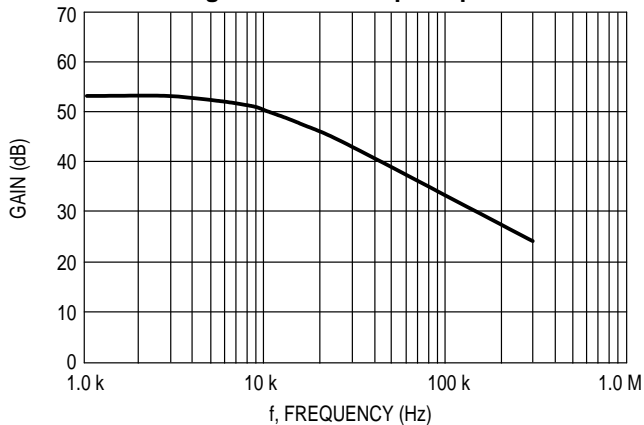


Figure 7. Filter Amp Gain

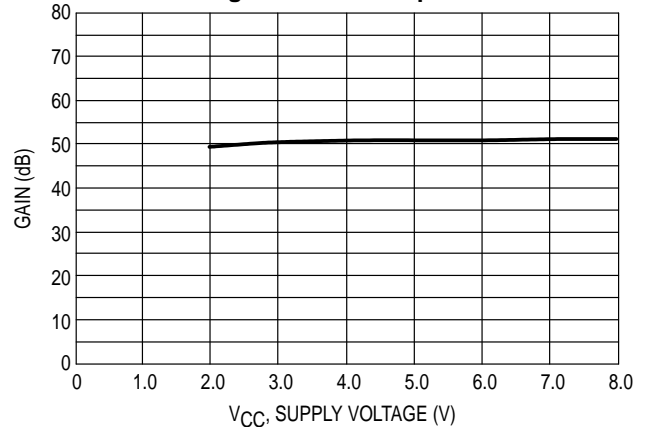
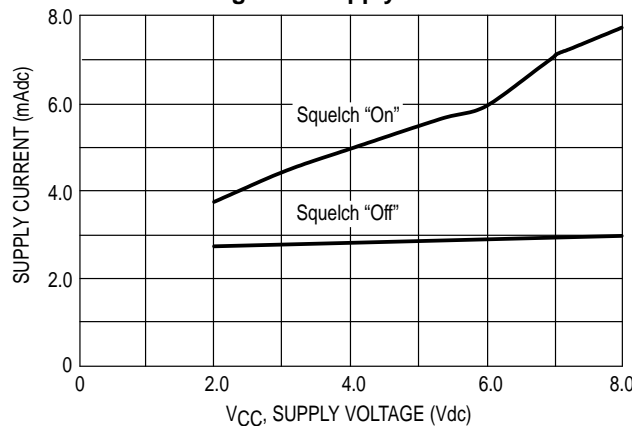


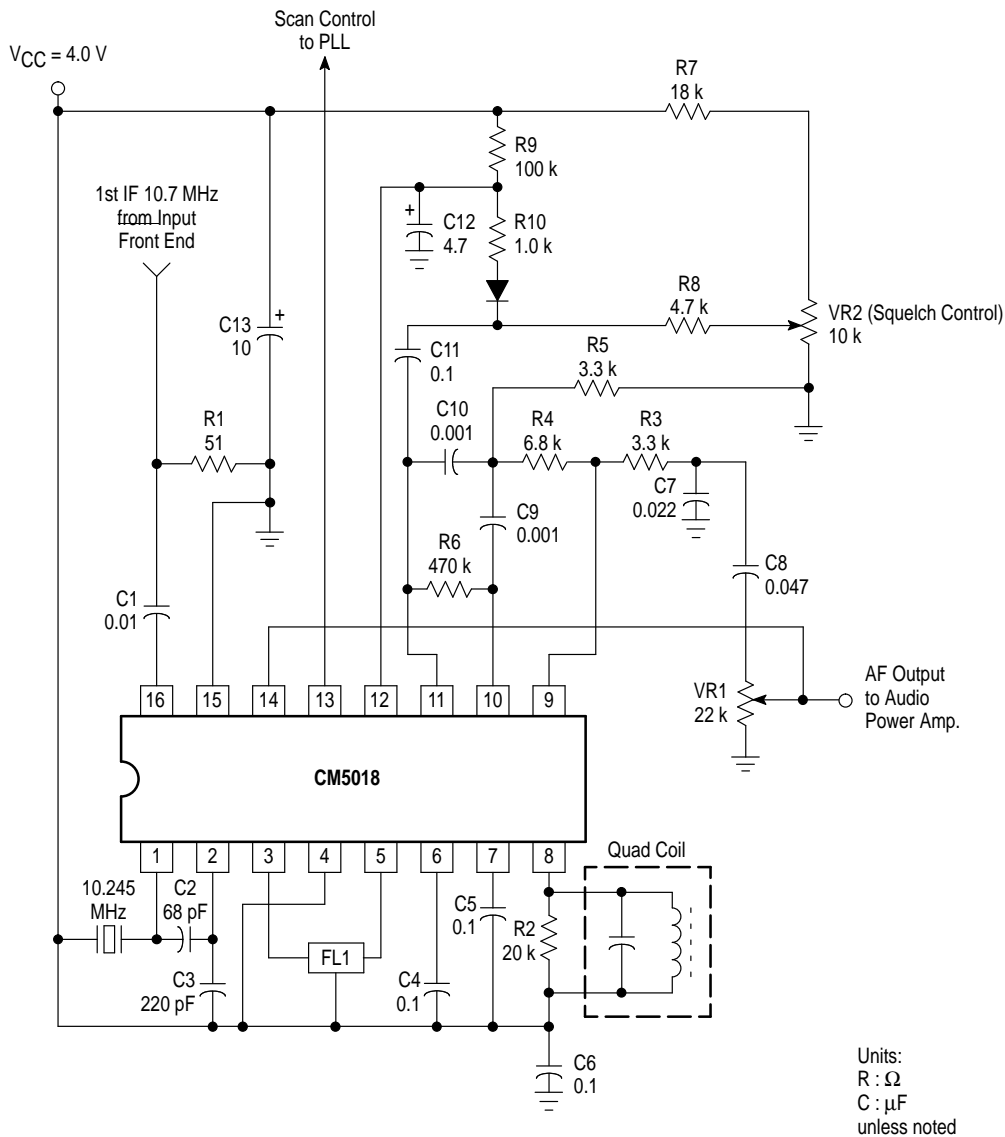
Figure 8. Supply Current



* All specs and applications shown above subject to change without prior notice.

Low Power Narrowband FM IF

Figure 9. Simplified Application



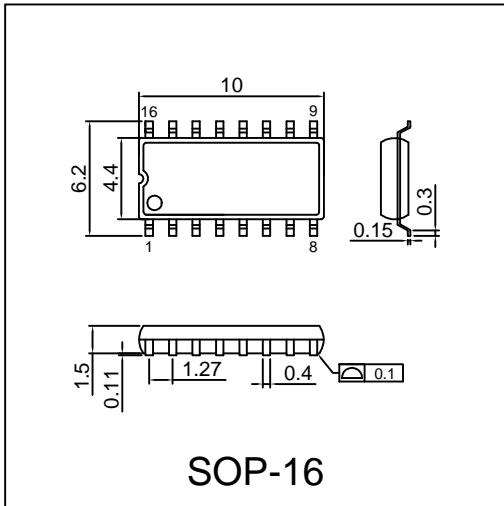
FL1 – muRata Erie North America Type CFU455D2 or equivalent

Quadrature Coil – Toko America Type 7MC-8128Z or equivalent

* All specs and applications shown above subject to change without prior notice.

Low Power Narrowband FM IF

External Dimensions(Units:mm)



* All specs and applications shown above subject to change without prior notice.

1F-5 NO.66 SEC.2 NAN-KAN RD., LUCHU, TAOYUAN, TAIWAN

Email: server@ceramate.com.tw

Tel: 886-3-3214525

Http: www.ceramate.com.tw

Fax: 886-3-3521052

Page 6 of 6

Rev 0.2 Feb.13,2004