

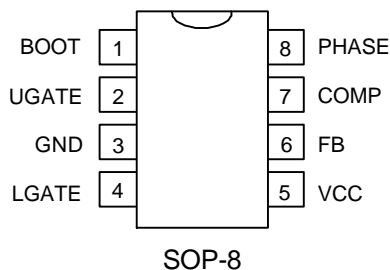
Features

- Single 12V Power Supply Required
- Fast Transient Response
 - 0~90% Duty Ratio
- 0.8V Reference with 1% Accuracy
- Shutdown Function by Controlling COMP Pin Voltage
- Internal Soft-Start (3.4ms) Function
- Voltage Mode PWM Control Design
- Under-Voltage Protection
- Over-Current Protection
 - Sense Low Side MOSFET's $R_{DS(ON)}$
- 300KHz Fixed Switching Frequency
- SOP-8 Package
- Lead Free Available (RoHS Compliant)

Applications

- Graphics Card
- Mother Board

Pinouts



General Description

The APW7065 uses fixed 300KHz switching frequency, voltage mode, synchronous PWM controller which drives dual N-channel MOSFETs. The device integrates the control, monitoring and protection functions into a single package, provides one controlled power output with under-voltage and over-current protections.

The APW7065 provides excellent regulation for output load variation. The internal 0.8V temperature-compensated reference voltage is designed to meet the requirement of low output voltage applications. An built-in digital soft-start with fixed soft-start interval prevents the output voltage from overshoot as well as limiting the input current.

The APW7065 with excellent protection functions: POR, OCP and UVP. The Power-On Reset (POR) circuit can monitor VCC supply voltage exceeds its threshold voltage while the controller is running, and a built-in digital soft-start provides output with controlled voltage rise. The Over-Current Protection (OCP) monitors the output current by using the voltage drop across the lower MOSFET's $R_{DS(ON)}$, comparing with internal V_{OC} (0.27V), when the output current reaches the trip point, the controller will run the soft-start function until the fault events are removed. The Under-Voltage Protection (UVP) monitors the voltage of FB pin for short-circuit protection, when the V_{FB} is less than 50% of V_{REF} (0.4V), the controller will shutdown the IC directly.

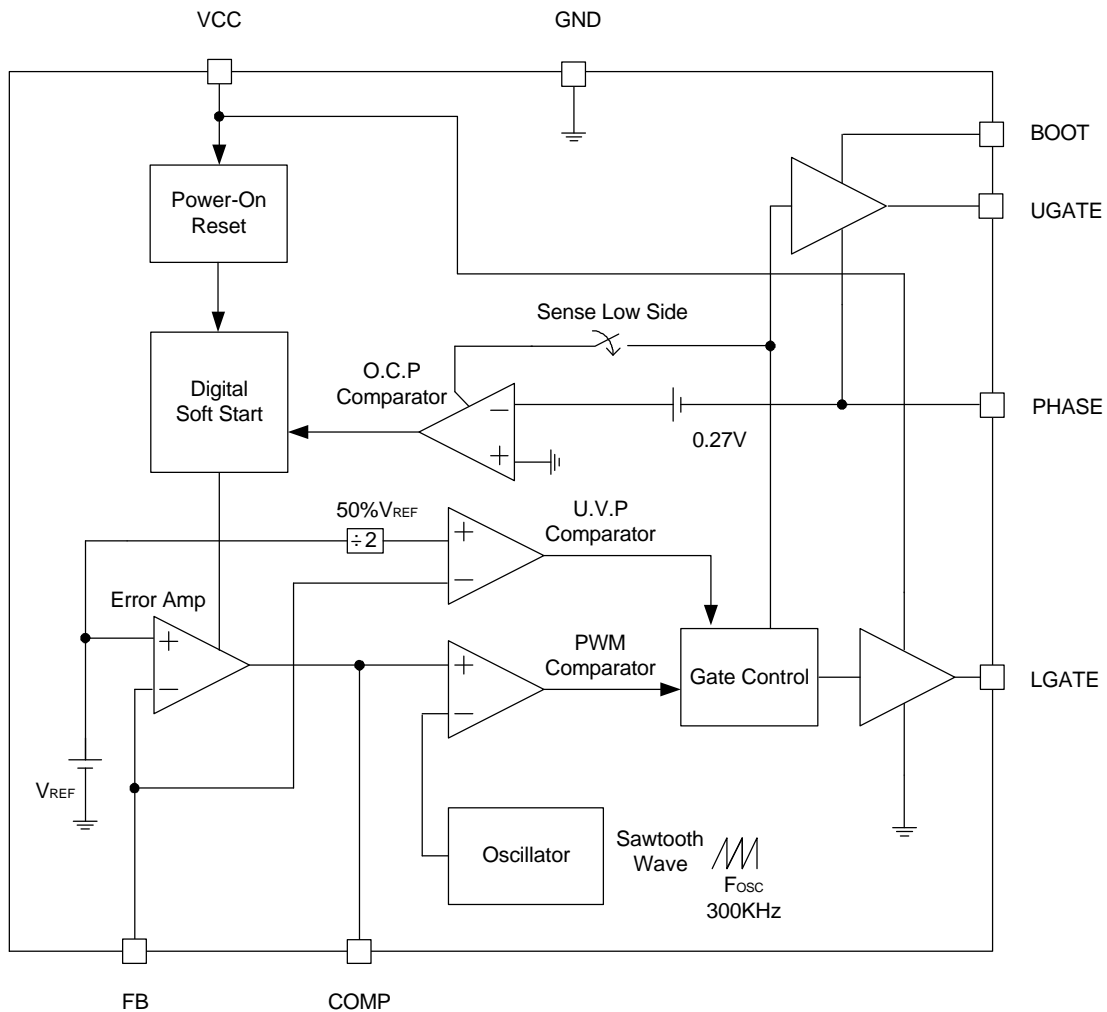
ANPEC reserves the right to make changes to improve reliability or manufacturability without notice, and advise customers to obtain the latest version of relevant information to verify before placing orders.

Ordering and Marking Information

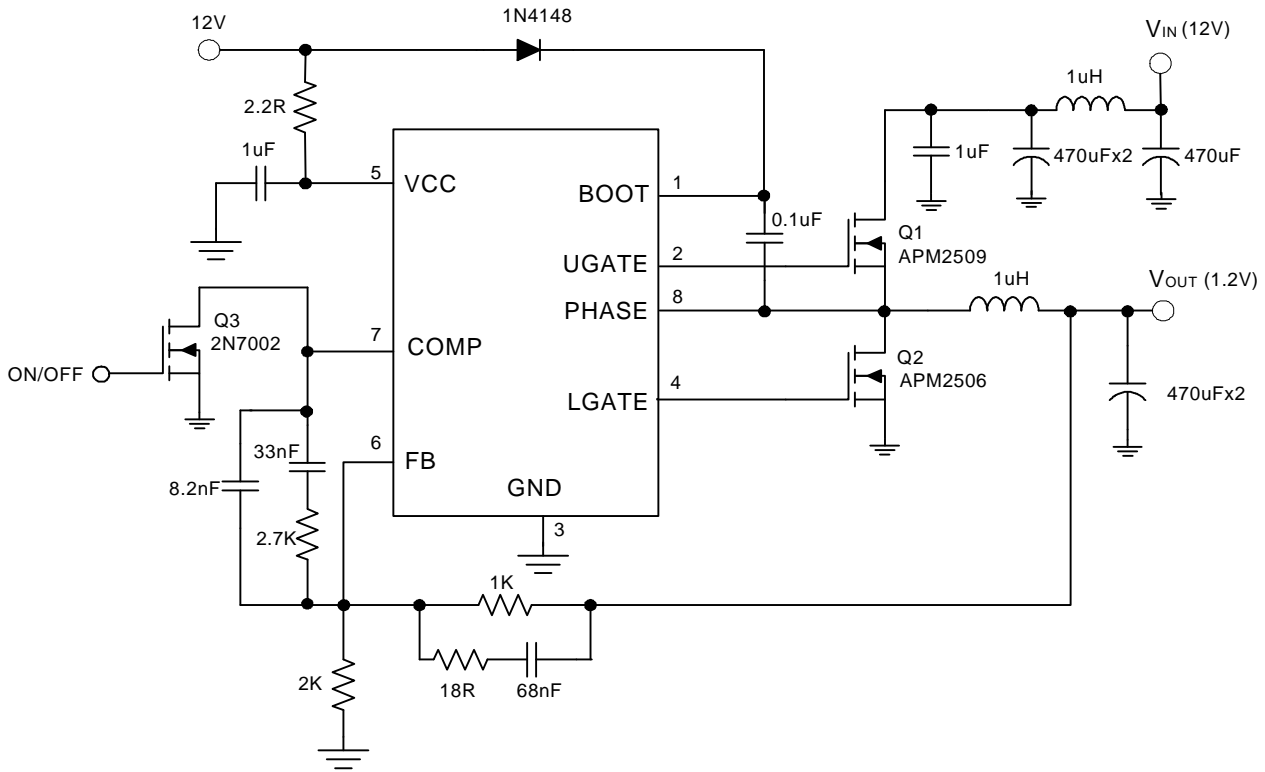
<p>APW7065 □□-□□□</p> <ul style="list-style-type: none"> □□□ : LeadFreeCode □□ : HandlingCode □ : Temp.Range □ : PackageCode 	<p>PackageCode K : SOP-8</p> <p>Operating Ambient Temp. Range E : -20 to 70 °C</p> <p>HandlingCode TU : Tube TR : Tape & Reel</p> <p>LeadFreeCode L : Lead Free Device Blank : Original Device</p>
<p>APW7065 K : APW7065 XXXXX</p>	<p>XXXXXX - Date Code</p>

Note: ANPEC lead-free products contain molding compounds/die attach materials and 100% matte tin plate termination finish; which are fully compliant with RoHS and compatible with both SnPb and lead-free soldering operations. ANPEC lead-free products meet or exceed the lead-free requirements of IPC/JEDEC J STD-020C for MSL classification at lead-free peak reflow temperature.

Block Diagram



Application Circuit



Absolute Maximum Ratings

Symbol	Parameter	Rating	Unit
VCC	VCC to GND	-0.3 ~ 16	V
BOOT	BOOT to PHASE	-0.3 ~ 16	V
UGATE	UGATE to PHASE <400nS pulse width >400nS pulse width	-5 ~ BOOT+5 -0.3 ~ BOOT+0.3	V
LGATE	LGATE to GND <400nS pulse width >400nS pulse width	-5 ~ VCC+5 -0.3 ~ VCC+0.3	V
PHASE	PHASE to GND <400nS pulse width >400nS pulse width	-5 ~ 21 -0.3 ~ 16	V
COMP, FB	COMP, FB to GND	-0.3 ~ 7	V
T _J	Junction Temperature Range	-20 ~ 150	°C
T _{STG}	Storage Temperature	-65 ~ 150	°C
T _{SDR}	Maximum Soldering Temperature, 10 Seconds	300	°C
V _{ESD}	Minimum ESD Rating (Human Body Mode) (Note 2)	±2	kV

Note 1: Absolute Maximum Ratings are those values beyond which the life of a device may be impaired. Exposure to absolute maximum rating conditions for extended periods may affect device reliability.

Note 2: The device is ESD sensitive. Handling precautions are recommended.

Recommended Operating Conditions

Symbol	Parameter	Range	Unit
VCC	VCC Supply Voltage	10.8 ~ 13.2	V
V _{OUT}	Converter Output Voltage	0.8 ~ 5	V
V _{IN}	Converter Input Voltage	2.9 ~ 13.2	V
I _{OUT}	Converter Output Current	0 ~ 20	A
T _A	Ambient Temperature Range	-20 ~ 70	°C
T _J	Junction Temperature Range	-20 ~ 125	°C

Electrical Characteristics

Unless otherwise specified, these specifications apply over VCC=12V, and T_A=-20~70°C. Typical values are at T_A=25°C.

Symbol	Parameter	Test Conditions	APW7065			Unit
			Min	Typ	Max	
SUPPLY CURRENT						
I _{VCC}	VCC Nominal Supply Current	UGATE and LGATE Open		5	10	mA
	VCC Shutdown Supply Current	UGATE, LGATE = GND		1	2	mA
POWER-ON RESET						
	Rising VCC Threshold		9	9.5	10	V
	Falling VCC Threshold		7.5	8	8.5	V
	COMP Shutdown Threshold			1.2		V
	COMP Shutdown Hysteresis			0.1		V
OSCILLATOR						
F _{OSC}	Free Running Frequency		255	300	345	kHz
ΔV _{OSC}	Ramp Amplitude			1.6		V _{P-P}
REFERENCE VOLTAGE						
V _{REF}	Reference Voltage	Measured at FB Pin		0.8		V
	Accuracy	T _A = -20~70°C	-1.0		+1.0	%
ERROR AMPLIFIER						
Gain	Open Loop Gain	R _L =10k, C _L =10pF(Note3)		88		dB
GBWP	Open Loop Bandwidth	R _L =10k, C _L =10pF(Note3)		15		MHz
SR	Slew Rate	R _L =10k, C _L =10pF(Note3)		6		V/us
	FB Input Current	V _{FB} = 0.8V(Note3)		0.1	1	uA
V _{COMP}	COMP High Voltage			5.5		V
V _{COMP}	COMP Low Voltage			0		V

Electrical Characteristics (Cont.)

Unless otherwise specified, these specifications apply over VCC=12V and TA=-20~70°C. Typical values are at TA=25°C.

Symbol	Parameter	Test Conditions	APW7065			Unit
			Min	Typ	Max	
ERROR AMPLIFIER (Cont.)						
I _{COMP}	COMP Source Current	V _{COMP} =2V		5		mA
I _{COMP}	COMP Sink Current	V _{COMP} =2V		5		mA
GATE DRIVERS						
I _{UGATE}	Upper Gate Source Current	BOOT = 12V, V _{UGATE} - V _{PHASE} = 2V		2.6		A
I _{UGATE}	Upper Gate Sink Current	BOOT = 12V, V _{UGATE} - V _{PHASE} = 2V		1.05		A
I _{LGATE}	Lower Gate Source Current	VCC = 12V, V _{LGATE} = 2V		4.9		A
I _{LGATE}	Lower Gate Sink Current	VCC = 12V, V _{LGATE} = 2V		1.4		A
R _{UGATE}	Upper Gate Source Impedance	BOOT = 12V, I _{UGATE} = 0.1A		2	3	Ω
R _{UGATE}	Upper Gate Sink Impedance	BOOT = 12V, I _{UGATE} = 0.1A		1.6	2.4	Ω
R _{LGATE}	Lower Gate Source Impedance	VCC = 12V, I _{LGATE} = 0.1A		1.3	1.95	Ω
R _{LGATE}	Lower Gate Sink Impedance	VCC = 12V, I _{LGATE} = 0.1A		1.25	1.88	Ω
T _D	Dead Time			20		nS
PROTECTIONS						
V _{OCP}	Over-Current Reference Voltage	TA = -20~70°C	0.23	0.27	0.31	V
V _{UVP}	Under-Voltage Threshold Trip Point	Percent of V _{REF}	45	50	55	%
SOFT-START						
T _{SS}	Soft-Start Interval		2	3.4	5	ms

Note 3: Guaranteed by design.

Functional Pin Description

BOOT (Pin 1)

A bootstrap circuit with a diode connected to VCC is used to create a voltage suitable to drive a logic-level N-channel MOSFET.

UGATE (Pin 2)

Connect this pin to the high-side N-channel MOSFET's gate. This pin provides gate drive for the high-side MOSFET.

GND (Pin 3)

The GND terminal provides return path for the IC's bias current and the low-side MOSFET driver's pull-low current. Connect the pin to the system ground via very low impedance layout on PCBs.

LGATE (Pin 4)

Connect this pin to the low-side N-channel MOSFET's gate. This pin provides gate drive for the low-side MOSFET.

Functional Pin Description (Cont.)

VCC (Pin 5)

Connect this pin to a 12V supply voltage. This pin provides bias supply for the control circuitry and the low-side MOSFET driver. The voltage at this pin is monitored for the Power-On Reset (POR) purpose. It is recommended that a decoupling capacitor (1 to 10uF) be connected to GND for noise decoupling.

FB (Pin 6)

This pin is the inverting input of the internal error amplifier. Connect this pin to the output (V_{OUT}) of the converter via an external resistor divider for closed-loop operation. The output voltage set by the resistor divider is determined using the following formula :

$$V_{OUT} = 0.8 \times \left(1 + \frac{R1}{R2} \right)$$

where R1 is the resistor connected from V_{OUT} to FB , and R2 is the resistor connected from FB to GND. The

FB pin is also monitored for under voltage events.

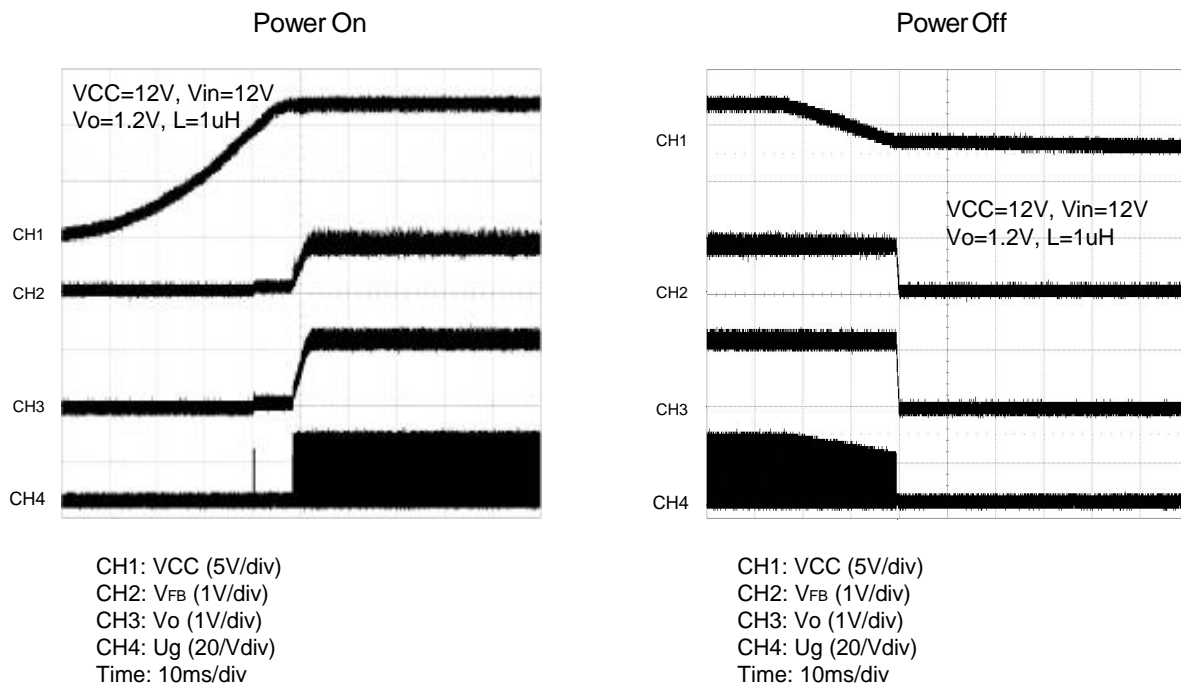
COMP (Pin 7)

This pin is the output of PWM error amplifier. It is used to set the compensation components. In addition, if the pin is pulled below 1.2V, it will disable the device.

PHASE (Pin 8)

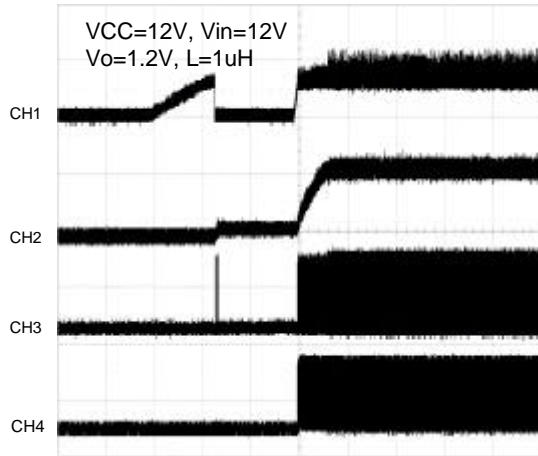
This pin is the return path for the upper gate driver. Connect this pin to the upper MOSFET source. This pin is also used to monitor the voltage drop across the MOSFET for over-current protection.

Typical Characteristics



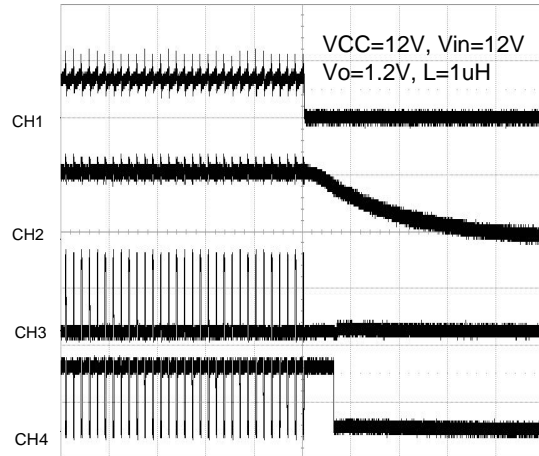
Typical Characteristics (Cont.)

EN



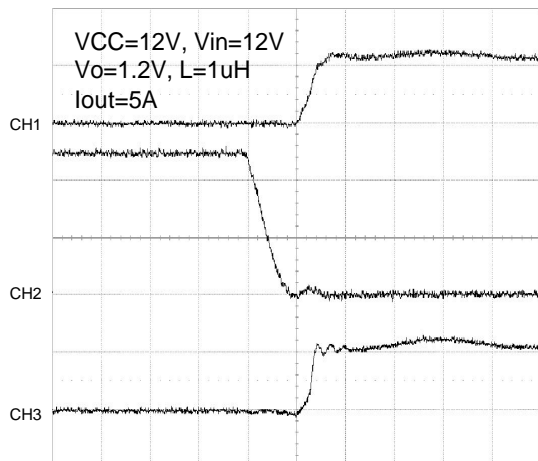
CH1: V_{COMP} (2V/div)
CH2: V_o (1V/div)
CH3: U_g (20V/div)
CH4: L_g (10V/div)
Time: 5ms/div

Shutdown



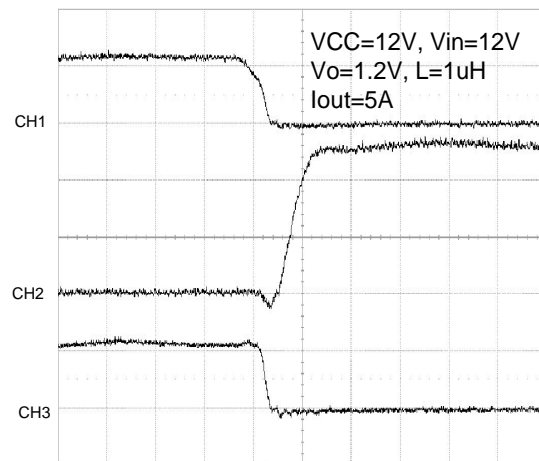
CH1: V_{COMP} (2V/div)
CH2: V_o (1V/div)
CH3: U_g (20V/div)
CH4: L_g (10V/div)
Time: 20us/div

UGATE Rising



CH1: U_g (20V/div)
CH2: L_g (5V/div)
CH3: Phase (10V/div)
Time: 50ns/div

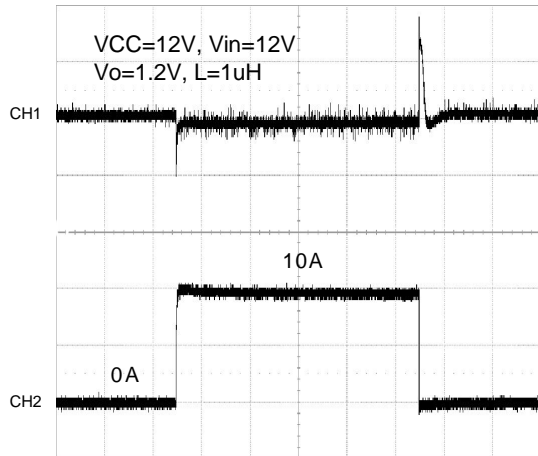
UGATE Falling



CH1: I_L (10A/div)
CH2: V_o (1V/div)
CH3: U_g (20V/div)
CH4: L_g (10V/div)
Time: 100us/div

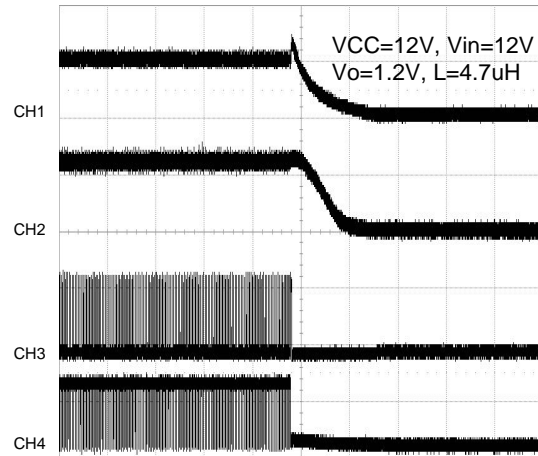
Typical Characteristics (Cont.)

Load Transient Response



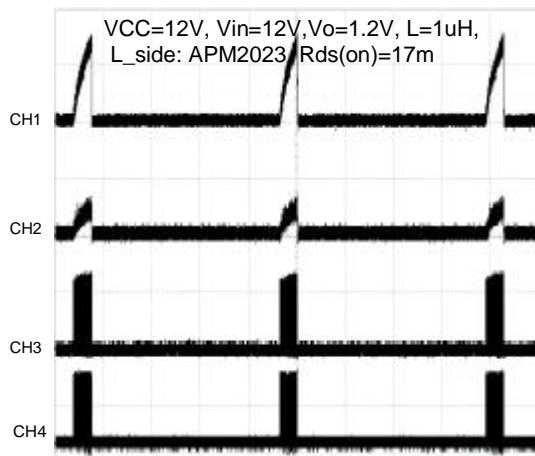
CH1: Vo (500mV/div,AC)
 CH2: Io (5A/div)
 Time: 1ms/div

Under Voltage Protection



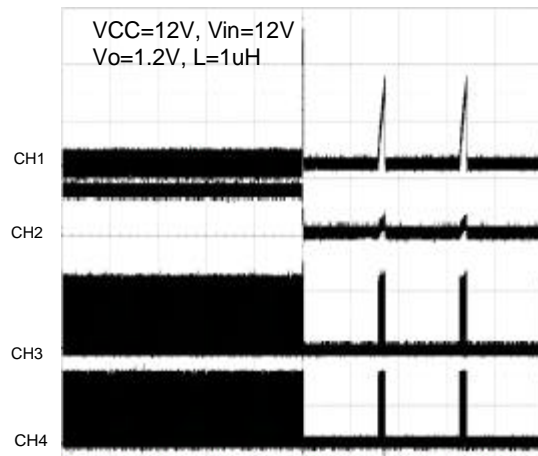
CH1: IL (10A/div)
 CH2: Vo (1V/div)
 CH3: Ug (20V/div)
 CH4: Lg (10V/div)
 Time: 100us/div

Over Current Protection



CH1: IL (10A/div)
 CH2: Vo (2V/div)
 CH3: Ug (20V/div)
 CH4: Lg (10V/div)
 Time: 2ms/div

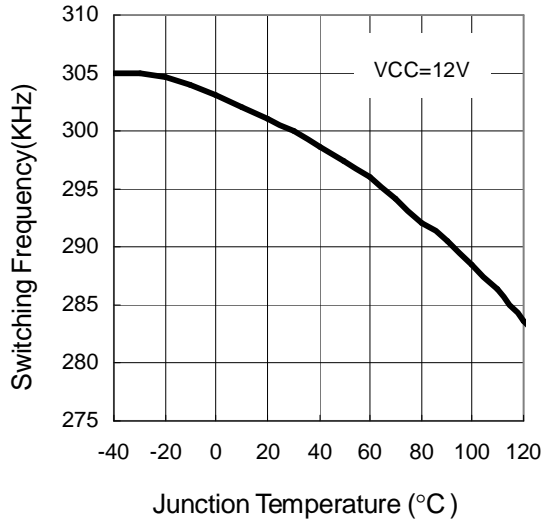
Short Test



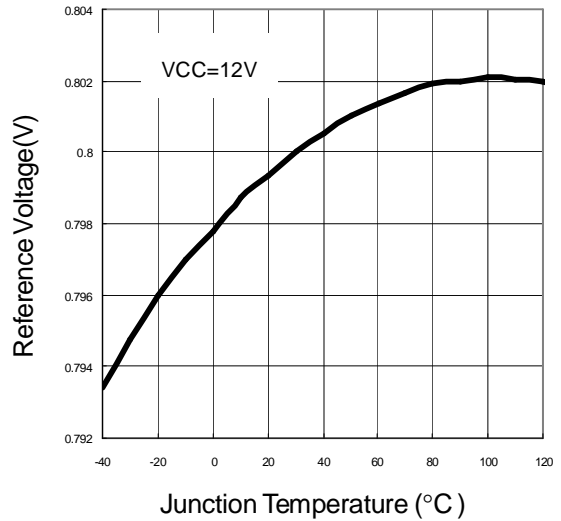
CH1: IL (10A/div)
 CH2: Vo (2V/div)
 CH3: Ug (20V/div)
 CH4: Lg (10V/div)
 Time: 5ms/div

Typical Characteristics (Cont.)

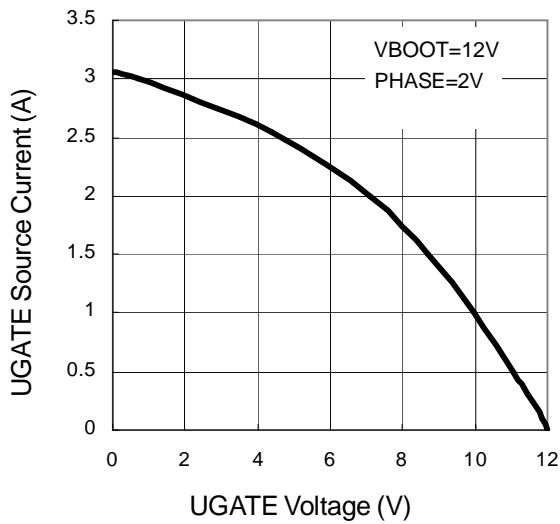
Switching Frequency vs. Junction Temperature



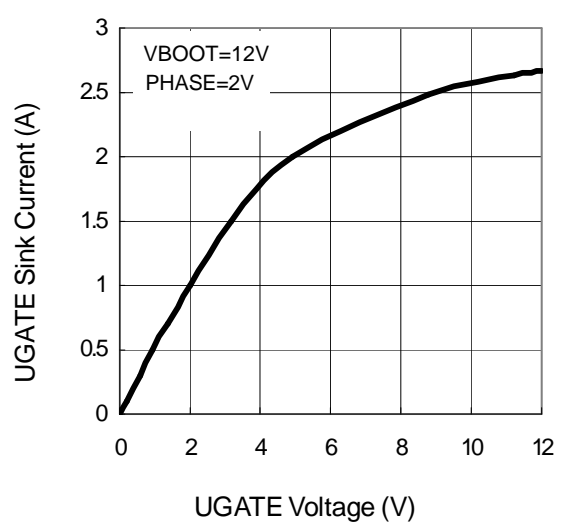
Reference Voltage vs. Junction Temperature



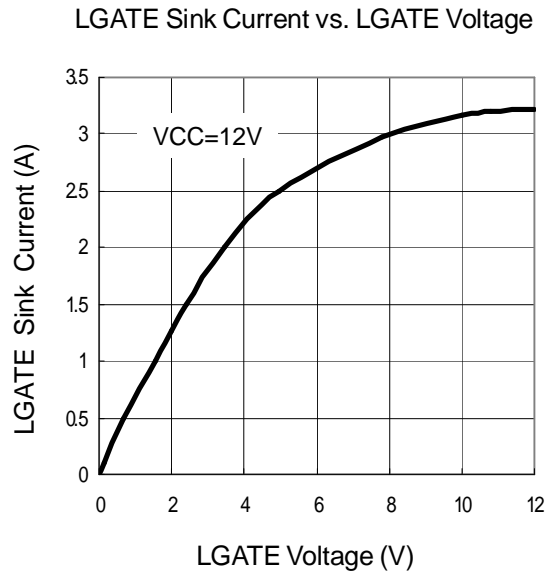
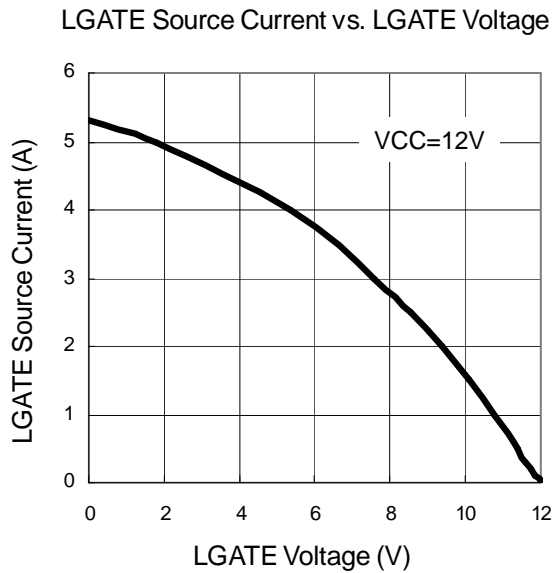
UGATE Source Current vs. UGATE Voltage



UGATE Sink Current vs. UGATE Voltage



Typical Characteristics (Cont.)



Functional Description

Power On Reset (POR)

The Power-On Reset (POR) function of APW7065 continually monitors the input supply voltage (VCC) and the COMP pin. The supply voltage (VCC) must exceed its rising POR threshold voltage. The POR function initiates soft-start operation after VCC and COMP voltages exceed their POR thresholds. For operation with a single +12V power source, V_{IN} and VCC are equivalent and the +12V power source must exceed the rising VCC threshold. The POR function inhibits operation at disabled status (V_{COMP} is less than 1.2V). With both input supplies above their POR thresholds, the device initiates a soft-start interval.

Soft-Start

The APW7065 has a built-in digital soft-start to control the output voltage rise and limit the current surge during the start-up. In Figure 1, when VCC exceeds rising POR threshold voltage, it will delay $2048/F_{osc}$

seconds and then begin soft start. During soft-start, an internal ramp connected to the one of the positive inputs of the Gm amplifier rises up from 0V to 2V to replace the reference voltage (0.8V) until the ramp voltage reaches the reference voltage. The soft-start interval is decided by the oscillator frequency (300kHz). The formulation is given by:

$$T_{delay} = t_2 - t_1 = 2048/F_{OSC} = 6.8ms$$

$$T_{soft-start} = t_3 - t_2 = 1024/F_{OSC} = 3.4ms$$

Figure 2. shows more detail of the FB voltage ramp. The FB voltage soft-start ramp is formed with many small steps of voltage. The voltage of one step is about 12.5mV in FB, and the period of one step is about $16/F_{OSC}$. This method provides a controlled voltage rise

Functional Description (Cont.)

Soft-Start (Cont.)

and prevents the large peak current to charge output capacitor.

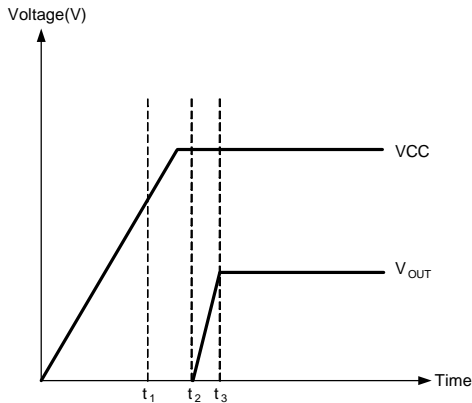


Figure 1.

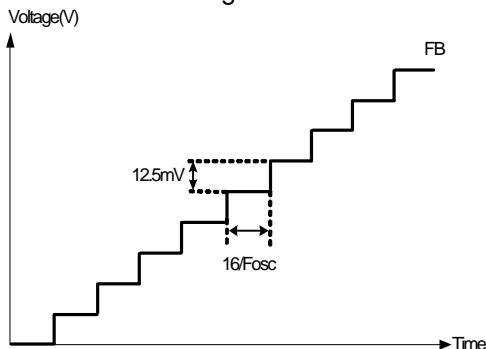


Figure 2.

Over-Current Protection

The over-current protection monitors the output current by using the voltage drop across the lower MOSFET's $R_{DS(ON)}$ and this voltage drop will be compared with the internal 0.27V reference voltage. If the voltage drop across the lower MOSFET's $R_{DS(ON)}$ is larger than 0.27V, an over-current condition is detected. The threshold of the over current limit is given by:

$$I_{Limit} = \frac{0.27}{R_{DS(ON)}}$$

For the over-current is never occurred in the normal operating load range; the variation of all parameters in the above equation should be determined.

- The MOSFET's $R_{DS(ON)}$ is varied by temperature and gate to source voltage, the user should determine the maximum $R_{DS(ON)}$ in manufacturer's datasheet.
- The minimum Vocset should be used in the above equation.
- Note that the I_{LIMIT} is the current flow through the lower MOSFET; I_{LIMIT} must be greater than maximum output current add the half of inductor ripple current.

Shutdown and Enable

Pulling the COMP voltage to GND by an open drain transistor, shown in typical application circuit, shutdown the APW7065 PWM controller. In shutdown mode, the UGATE and LGATE turn off and pull to PHASE and GND respectively.

Under Voltage Protection

The FB pin is monitored during converter operation by the internal Under Voltage (UV) comparator. If the FB voltage drops below 50% of the reference voltage (50% of 0.8V = 0.4V), a fault signal is internally generated, and the device turns off both high-side and low-side MOSFET and the converter's output is latched to be floating.

Application Information

Output Voltage Selection

The output voltage can be programmed with a resistive divider. Use 1% or better resistors for the resistive divider is recommended. The FB pin is the inverter input of the error amplifier, and the reference voltage is 0.8V. The output voltage is determined by:

$$V_{OUT} = 0.8 \times \left(1 + \frac{R_{OUT}}{R_{GND}} \right)$$

Where R_{OUT} is the resistor connected from V_{OUT} to FB and R_{GND} is the resistor connected from FB to GND.

Application Information (Cont.)

Output Inductor Selection

The inductor value determines the inductor ripple current and affects the load transient response. Higher inductor value reduces the inductor's ripple current and induces lower output ripple voltage. The ripple current and ripple voltage can be approximated by:

$$I_{\text{RIPPLE}} = \frac{V_{\text{IN}} - V_{\text{OUT}}}{F_s \times L} \times \frac{V_{\text{OUT}}}{V_{\text{IN}}}$$

$$\Delta V_{\text{OUT}} = I_{\text{RIPPLE}} \times \text{ESR}$$

where F_s is the switching frequency of the regulator.

Although increase of the inductor value reduces the ripple current and voltage, a tradeoff will exist between the inductor's ripple current and the regulator load transient response time.

A smaller inductor will give the regulator a faster load transient response at the expense of higher ripple current. The maximum ripple current occurs at the maximum input voltage. A good starting point is to choose the ripple current to be approximately 30% of the maximum output current. Once the inductance value has been chosen, select an inductor that is capable of carrying the required peak current without going into saturation. In some types of inductors, especially core that is made of ferrite, the ripple current will increase abruptly when it saturates. This will result in a larger output ripple voltage.

Output Capacitor Selection

Higher capacitor value and lower ESR reduce the output ripple and the load transient drop. Therefore, selecting high performance low ESR capacitors is intended for switching regulator applications. In some applications, multiple capacitors have to be parallel to achieve the desired ESR value. A small decoupling capacitor in parallel for bypassing the noise is also recommended, and the voltage rating of the output capacitors also must be considered. If tantalum

capacitors are used, make sure they are surge tested by the manufactures. If in doubt, consult the capacitors manufacturer.

Input Capacitor Selection

The input capacitor is chosen based on the voltage rating and the RMS current rating. For reliable operation, select the capacitor voltage rating to be at least 1.3 times higher than the maximum input voltage. The maximum RMS current rating requirement is approximately $I_{\text{OUT}}/2$, where I_{OUT} is the load current. During power up, the input capacitors have to handle large amount of surge current. If tantalum capacitors are used, make sure they are surge tested by the manufactures. If in doubt, consult the capacitors manufacturer. For high frequency decoupling, a ceramic capacitor 1uF can be connected between the drain of upper MOSFET and the source of lower MOSFET.

MOSFET Selection

The selection of the N-channel power MOSFETs are determined by the $R_{\text{DS(ON)}}$, reverse transfer capacitance (C_{RSS}) and maximum output current requirement. There are two components of loss in the MOSFETs: conduction loss and transition loss. For the upper and lower MOSFET, the losses are approximately given by the following:

$$P_{\text{UPPER}} = I_{\text{OUT}} (1 + \text{TC})(R_{\text{DS(ON)}})D + (0.5)(I_{\text{OUT}})(V_{\text{IN}})(t_{\text{SW}})F_s$$

$$P_{\text{LOWER}} = I_{\text{OUT}} (1 + \text{TC})(R_{\text{DS(ON)}})(1-D)$$

Where I_{OUT} is the load current

TC is the temperature dependency of $R_{\text{DS(ON)}}$

F_s is the switching frequency

t_{SW} is the switching interval

D is the duty cycle

Note that both MOSFETs have conduction loss while the upper MOSFET include an additional transition loss. The switching interval, t_{SW} , is a function of the reverse transfer capacitance C_{PSS} . The (1+TC) term is

Application Information (Cont.)

MOSFET Selection (Cont.)

to factor in the temperature dependency of the $R_{DS(ON)}$ and can be extracted from the “ $R_{DS(ON)}$ vs Temperature” curve of the power MOSFET.

PWM Compensation

The output LC filter of a step down converter introduces a double pole, which contributes with -40dB/decade gain slope and 180 degrees phase shift in the control loop. A compensation network among COMP, FB and V_{OUT} should be added. The compensation network is shown in Fig. 6. The output LC filter consists of the output inductor and output capacitors. The transfer function of the LC filter is given by:

$$GAIN_{LC} = \frac{1 + s \times ESR \times C_{OUT}}{s^2 \times L \times C_{OUT} + s \times ESR \times C_{OUT} + 1}$$

The poles and zero of this transfer functions are:

$$F_{LC} = \frac{1}{2 \times \pi \times \sqrt{L \times C_{OUT}}}$$

$$F_{ESR} = \frac{1}{2 \times \pi \times ESR \times C_{OUT}}$$

The F_{LC} is the double poles of the LC filter, and F_{ESR} is the zero introduced by the ESR of the output capacitor.

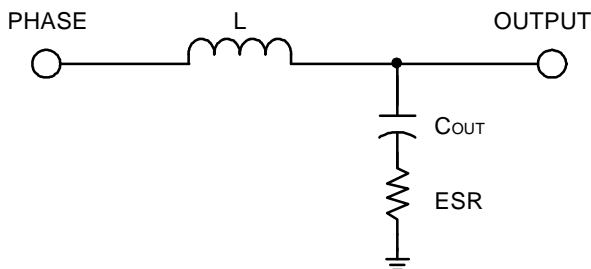


Figure 3. The Output LC Filter

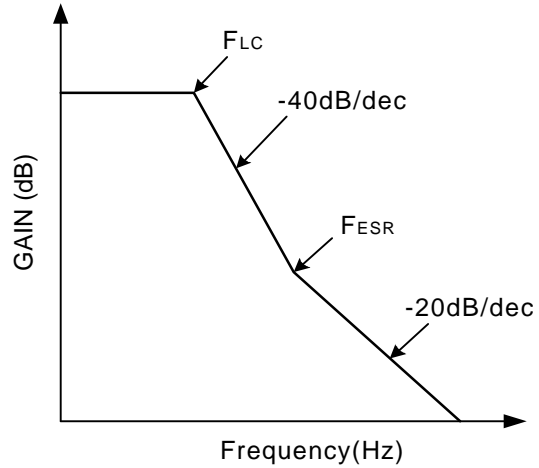


Figure 4. The LC Filter GAIN and Frequency

The PWM modulator is shown in Figure 5. The input is the output of the error amplifier and the output is the PHASE node. The transfer function of the PWM modulator is given by:

$$GAIN_{PWM} = \frac{V_{IN}}{\Delta V_{OSC}}$$

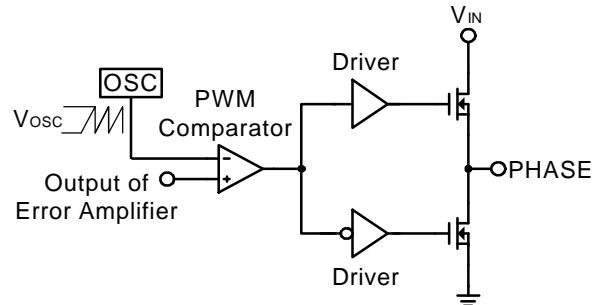


Figure 5. The PWM Modulator

The compensation network is shown in Figure 6. It provides a close loop transfer function with the highest zero crossover frequency and sufficient phase margin. The transfer function of error amplifier is given by:

$$GAIN_{AMP} = \frac{V_{COMP}}{V_{OUT}} = \frac{1}{sC1} // \left(R2 + \frac{1}{sC2} \right) / \left(R1 // \left(R3 + \frac{1}{sC3} \right) \right)$$

$$= \frac{R1 + R3}{R1 \times R3 \times C1} \times \frac{\left(s + \frac{1}{R2 \times C2} \right) \times \left(s + \frac{1}{(R1 + R3) \times C3} \right)}{s \left(s + \frac{C1 + C2}{R2 \times C1 \times C2} \right) \times \left(s + \frac{1}{R3 \times C3} \right)}$$

Application Information (Cont.)

PWM Compensation (Cont.)

The poles and zeros of the transfer function are:

$$F_{Z1} = \frac{1}{2 \times \pi \times R2 \times C2}$$

$$F_{Z2} = \frac{1}{2 \times \pi \times (R1 + R3) \times C3}$$

$$F_{P1} = \frac{1}{2 \times \pi \times R2 \times \left(\frac{C1 \times C2}{C1 + C2} \right)}$$

$$F_{P2} = \frac{1}{2 \times \pi \times R3 \times C3}$$

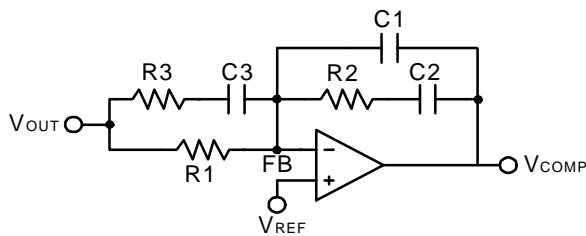


Figure 6. Compensation Network

The closed loop gain of the converter can be written as:

$$GAIN_{LC} \times GAIN_{PWM} \times GAIN_{AMP}$$

Figure 7. shows the asymptotic plot of the closed loop converter gain, and the following guidelines will help to design the compensation network. Using the below guidelines should give a compensation similar to the curve plotted. A stable closed loop has a -20dB/decade slope and a phase margin greater than 45 degree.

1. Choose a value for R1, usually between 1K and 5K.
2. Select the desired zero crossover frequency F_o :

$$(1/5 \sim 1/10) \times F_s > F_o > F_{ESR}$$

Use the following equation to calculate R2:

$$R2 = \frac{\Delta V_{OSC}}{V_{IN}} \times \frac{F_o}{F_{LC}} \times R1$$

3. Place the first zero F_{Z1} before the output LC filter double pole frequency F_{LC} .

$$F_{Z1} = 0.75 \times F_{LC}$$

Calculate the C2 by the equation:

$$C2 = \frac{1}{2 \times \pi \times R2 \times F_{LC} \times 0.75}$$

4. Set the pole at the ESR zero frequency F_{ESR} :

$$F_{P1} = F_{ESR}$$

Calculate the C1 by the equation:

$$C1 = \frac{C2}{2 \times \pi \times R2 \times C2 \times F_{ESR} - 1}$$

5. Set the second pole F_{P2} at the half of the switching frequency and also set the second zero F_{Z2} at the output LC filter double pole F_{LC} . The compensation gain should not exceed the error amplifier open loop gain, check the compensation gain at F_{P2} with the capabilities of the error amplifier.

$$F_{P2} = 0.5 \times F_o$$

$$F_{Z2} = F_{LC}$$

Combine the two equations will get the following component calculations:

$$R3 = \frac{R1}{\frac{F_s}{2 \times F_{LC}} - 1}$$

$$C3 = \frac{1}{\pi \times R3 \times F_s}$$

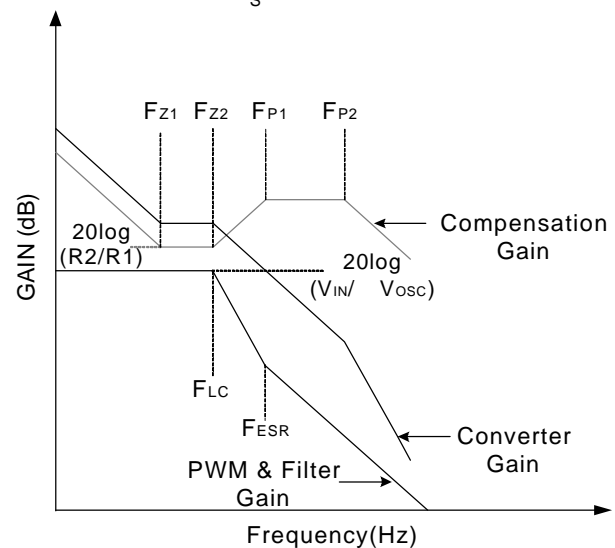


Figure 7. Converter Gain and Frequency

Application Information (Cont.)

Layout Considerations

In any high switching frequency converter, a correct layout is important to ensure proper operation of the regulator. With power devices switching at 300KHz, the resulting current transient will cause voltage spike across the interconnecting impedance and parasitic circuit elements. As an example, consider the turn-off transition of the PWM MOSFET. Before turn-off, the MOSFET is carrying the full load current. During turn-off, current stops flowing in the MOSFET and is free-wheeling by the lower MOSFET and parasitic diode. Any parasitic inductance of the circuit generates a large voltage spike during the switching interval. In general, using short, wide printed circuit traces should minimize interconnecting impedances and the magnitude of voltage spike. And signal and power grounds are to be kept separate till combined using ground plane construction or single point grounding. Figure 8. illustrates the layout, with bold lines indicating high current paths; these traces must be short and wide. Components along the bold lines should be placed close together. Below is a checklist for your layout:

- Keep the switching nodes (UGATE, LGATE and PHASE) away from sensitive small signal nodes since these nodes are fast moving signals. Therefore, keep traces to these nodes as short as possible.
- The traces from the gate drivers to the MOSFETs (UG, LG) should be short and wide.
- Place the source of the high-side MOSFET and the drain of the low-side MOSFET as close possible. Minimizing the impedance with wide layout plane between the two pads reduces the voltage bounce of the node.
- Decoupling capacitor, compensation component,

the resistor dividers, and boot capacitors should be close their pins. (For example, place the decoupling ceramic capacitor near the drain of the high-side MOSFET as close as possible. The bulk capacitors are also placed near the drain).

- The input capacitor should be near the drain of the upper MOSFET; the output capacitor should be near the loads. The input capacitor GND should be close to the output capacitor GND and the lower MOSFET GND.
- The drain of the MOSFETs (V_{IN} and PHASE nodes) should be a large plane for heat sinking.

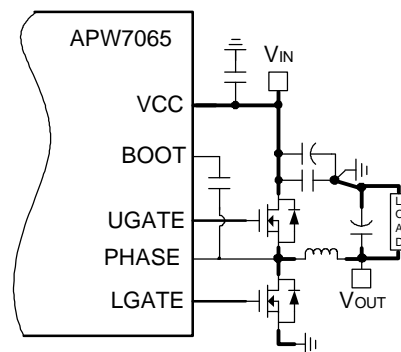
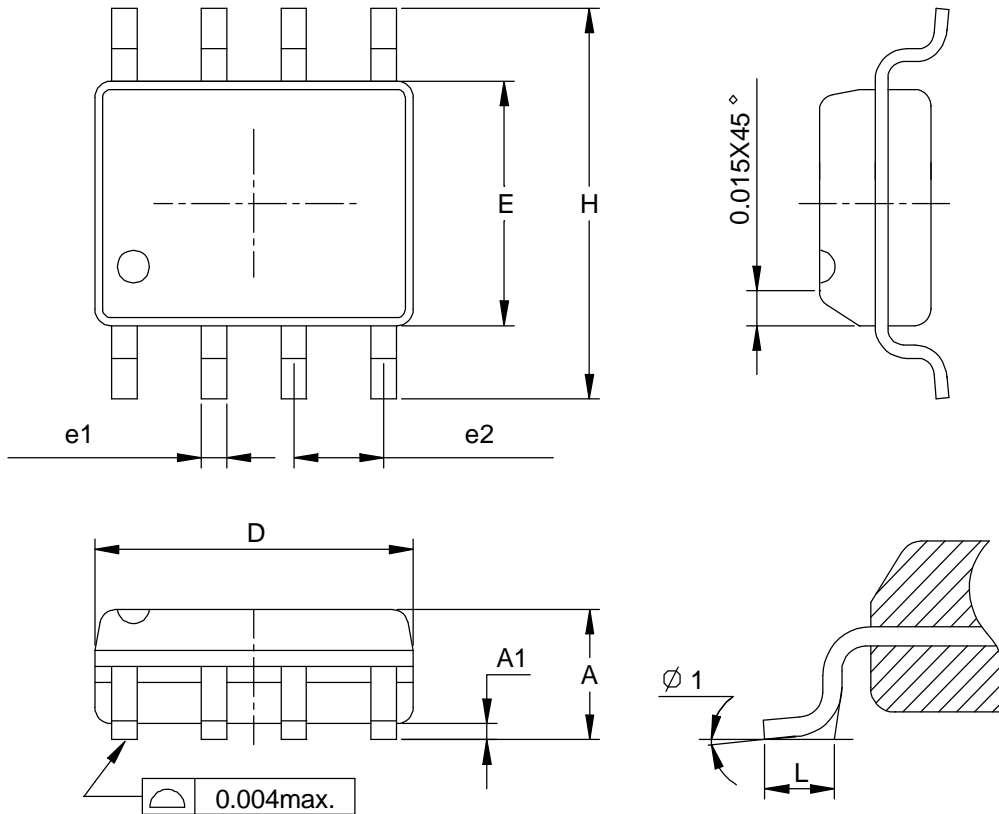


Figure 8. Layout Guidelines

Package Information

SOP-8 pin (Reference JEDEC Registration MS-012)

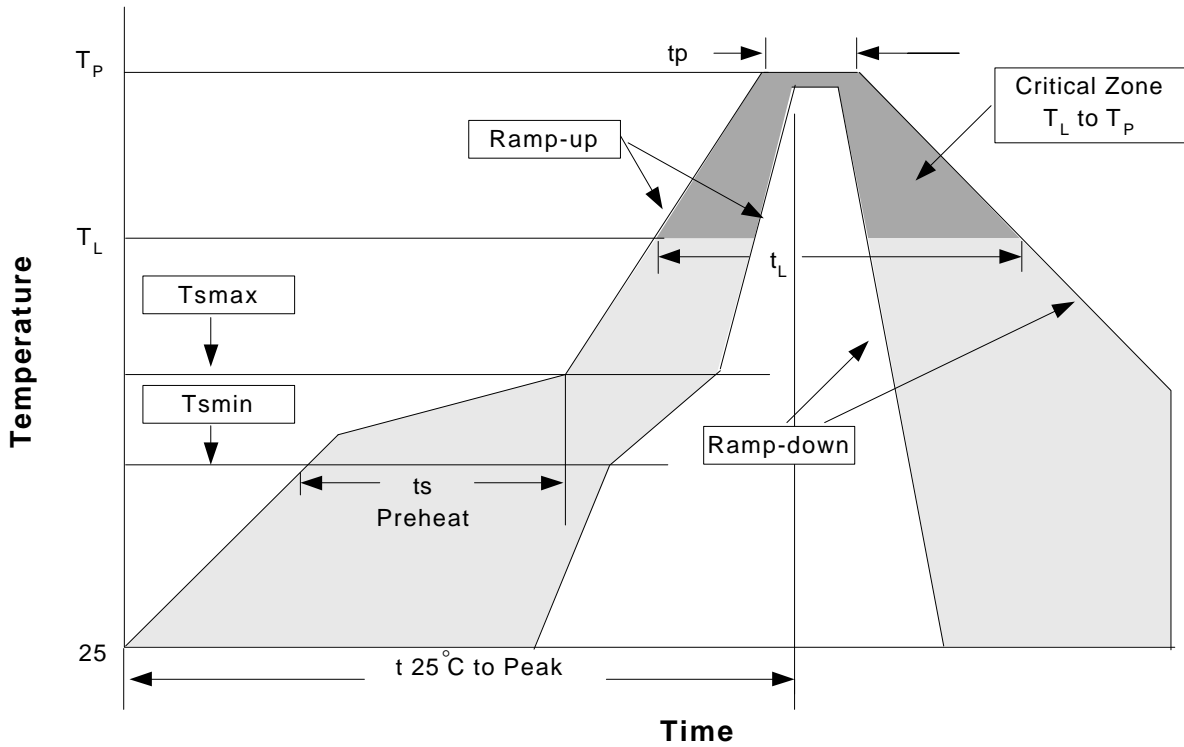


Dim	Millimeters		Inches	
	Min.	Max.	Min.	Max.
A	1.35	1.75	0.053	0.069
A1	0.10	0.25	0.004	0.010
D	4.80	5.00	0.189	0.197
E	3.80	4.00	0.150	0.157
H	5.80	6.20	0.228	0.244
L	0.40	1.27	0.016	0.050
e1	0.33	0.51	0.013	0.020
e2	1.27BSC		0.50BSC	
φ 1	0°	8°	0°	8°

Physical Specifications

Terminal Material	Solder-Plated Copper (Solder Material : 90/10 or 63/37 SnPb), 100%Sn
Lead Solderability	Meets EIA Specification RSI86-91, ANSI/J-STD-002 Category 3.

Reflow Condition (IR/Convection or VPR Reflow)



Classification Reflow Profiles

Profile Feature	Sn-Pb Eutectic Assembly	Pb-Free Assembly
Average ramp-up rate (T _L to T _P)	3°C/second max.	3°C/second max.
Preheat		
- Temperature Min (T _{smin})	100°C	150°C
- Temperature Max (T _{smax})	150°C	200°C
- Time (min to max) (t _s)	60-120 seconds	60-180 seconds
Time maintained above:		
- Temperature (T _L)	183°C	217°C
- Time (t _L)	60-150 seconds	60-150 seconds
Peak/Classification Temperature (T _p)	See table 1	See table 2
Time within 5°C of actual Peak Temperature (t _p)	10-30 seconds	20-40 seconds
Ramp-down Rate	6°C/second max.	6°C/second max.
Time 25°C to Peak Temperature	6 minutes max.	8 minutes max.

Notes: All temperatures refer to topside of the package .Measured on the body surface.

Classification Reflow Profiles (Cont.)

Table 1. SnPb Eutectic Process – Package Peak Reflow Temperatures

Package Thickness	Volume mm ³ <350	Volume mm ³ ≥350
<2.5 mm	240 +0/-5°C	225 +0/-5°C
≥2.5 mm	225 +0/-5°C	225 +0/-5°C

Table 2. Pb-free Process – Package Classification Reflow Temperatures

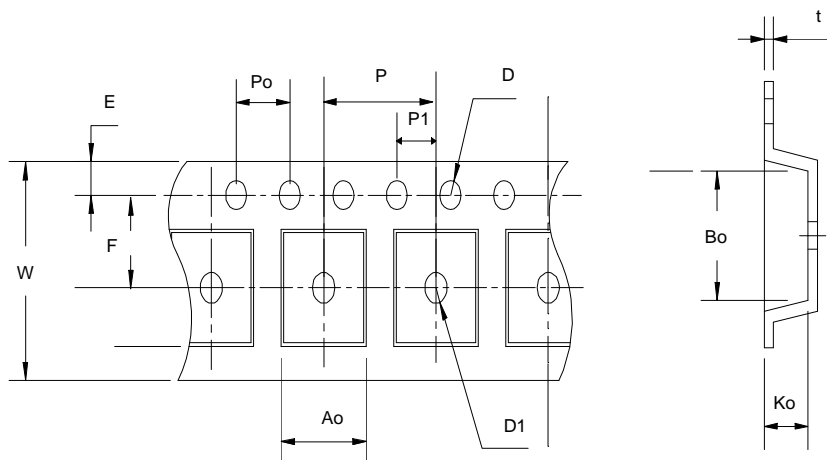
Package Thickness	Volume mm ³ <350	Volume mm ³ 350-2000	Volume mm ³ >2000
<1.6 mm	260 +0°C*	260 +0°C*	260 +0°C*
1.6 mm – 2.5 mm	260 +0°C*	250 +0°C*	245 +0°C*
≥2.5 mm	250 +0°C*	245 +0°C*	245 +0°C*

*Tolerance: The device manufacturer/supplier shall assure process compatibility up to and including the stated classification temperature (this means Peak reflow temperature +0°C. For example 260°C+0°C) at the rated MSL level.

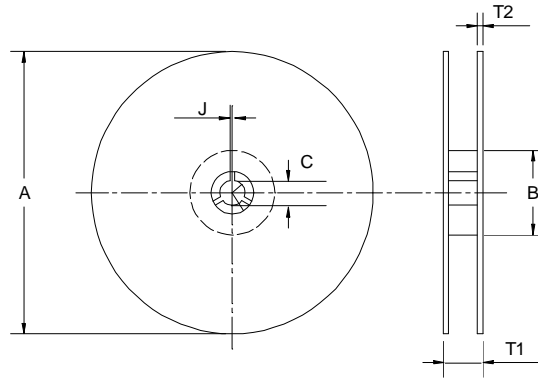
Reliability Test Program

Test item	Method	Description
SOLDERABILITY	MIL-STD-883D-2003	245°C, 5 SEC
HOLT	MIL-STD-883D-1005.7	1000 Hrs Bias @ 125°C
PCT	JESD-22-B,A102	168 Hrs, 100%RH, 121°C
TST	MIL-STD-883D-1011.9	-65°C~150°C, 200 Cycles
ESD	MIL-STD-883D-3015.7	VHBM > 2KV, VMM > 200V
Latch-Up	JESD 78	10ms, 1 _{tr} > 100mA

Carrier Tape & Reel Dimensions



Carrier Tape & Reel Dimensions (Cont.)



Reel Dimensions

Application	A	B	C	J	T1	T2	W	P	E
SOP- 8	330 ± 1	62 +1.5	12.75+ 0.15	2 ± 0.5	12.4 ± 0.2	2 ± 0.2	12± 0.3	8± 0.1	1.75±0.1
	F	D	D1	Po	P1	Ao	Bo	Ko	t
	5.5± 1	1.55 +0.1	1.55+ 0.25	4.0 ± 0.1	2.0 ± 0.1	6.4 ± 0.1	5.2± 0.1	2.1± 0.1	0.3±0.013

(mm)

Cover Tape Dimensions

Application	Carrier Width	Cover Tape Width	Devices Per Reel
SOP- 8	12	9.3	2500

Customer Service

Anpec Electronics Corp.

Head Office :

No.6, Dusing 1st Road, SBIP,
Hsin-Chu, Taiwan, R.O.C.
Tel : 886-3-5642000
Fax : 886-3-5642050

Taipei Branch :

7F, No. 137, Lane 235, Pac Chiao Rd.,
Hsin Tien City, Taipei Hsien, Taiwan, R. O. C.
Tel : 886-2-89191368
Fax : 886-2-89191369