

3.50mm (0.138") PITCH CONNECTOR

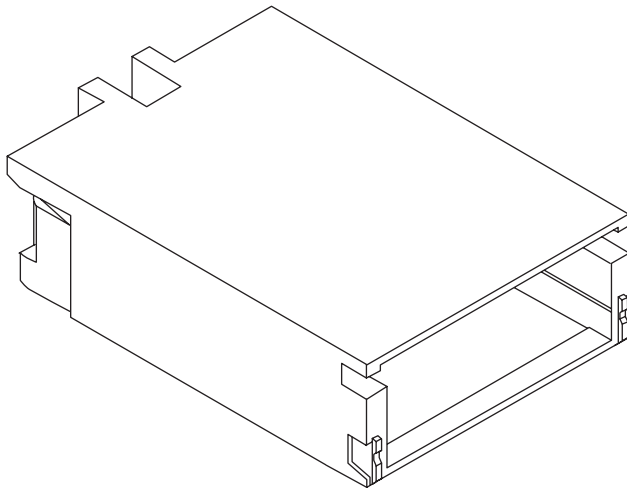


**Wire-to-Board
Wafer**

35001WR Series

SMT

Right Angle

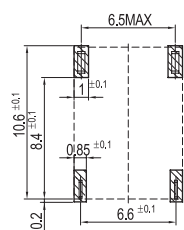
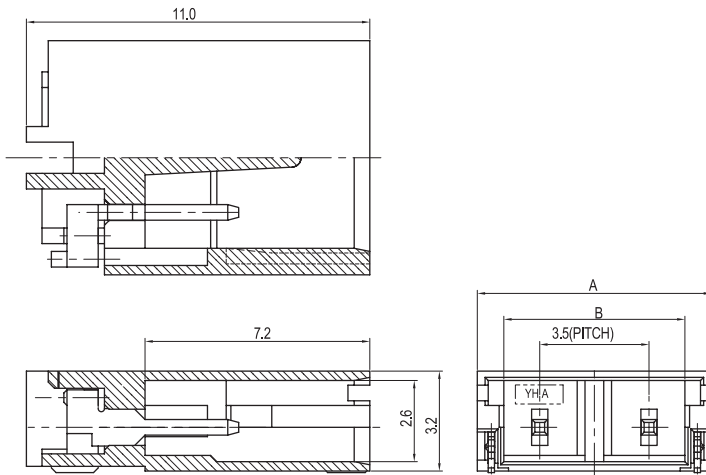


Material

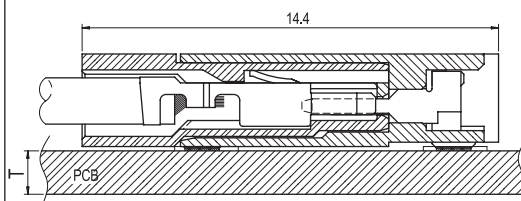
I/NO	DESCRIPTION	TITLE	MATERIAL
1	WAFER	35001WR	PA46 or PA6T, UL94 V Grade
2	PIN	35001PR	Phosphor Bronze & Tin-Plated
3	HOOK	35001LR	Brass & Tin-Plated

Available Pin

PARTS NO.	DIM. A	DIM. B
35001WR-02A00	7.50	5.8



PCB LAYOUT



PCB ASS'Y

Specification

ITEM	SPEC
Voltage Rating	AC/DC 1400V
Current Rating	AC/DC 1A
Operating Temperature	-25°C ~ +85°C
Contact Resistance	30mΩ MAX
Withstanding Voltage	AC3800V/1min
Insulation Resistance	1000MΩ MIN
Applicable Wire	-
Applicable P.C.B	0.8~1.6mm
Applicable FPC/FFC	-
Solder Height	0.15mm
Crimp Tensile Strength	-
UL FILE NO	E108706