

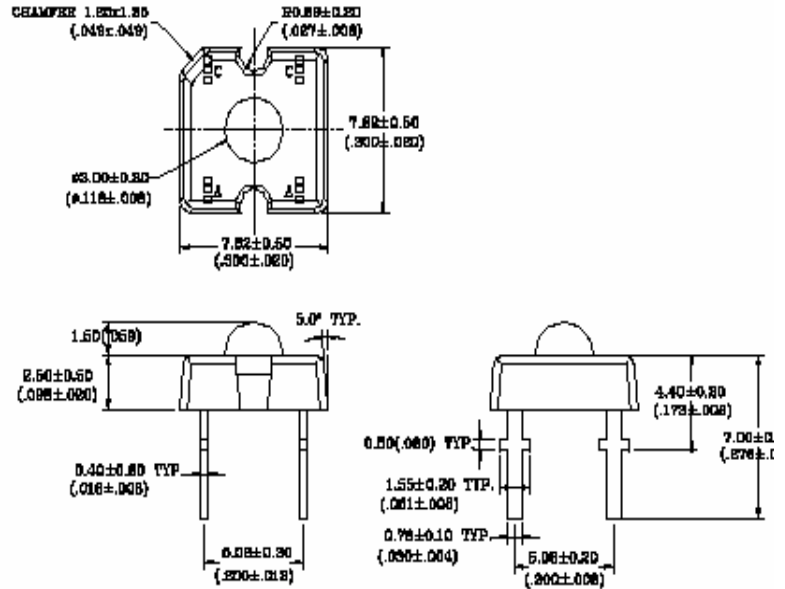
SUPER FLUX LED

BTF-37WHCS-XX-X

Product Features

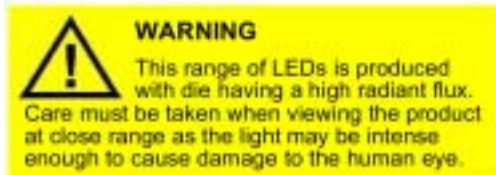
- Ultra Bright White Color
- High Light Output
- 3mm Super Flux Package
- Water Clear Lens
- Highly Reliable
- IC Compatible
- Leads with Stand Off

Package Dimension



Applications

- Outdoor Sign Board
- Automotive
- Front Panel Indicator
- Special Lighting
- General Purpose LEDs



Note: Industry standard procedures regarding static must be observed when handling this product.

Tolerance: $\pm \frac{\text{inch}}{\text{mm}}$ Unit: $\pm \frac{0.01}{0.25}$

Optical and Electrical Characteristics at $T_a=25$

Parameter	Symbol	Minimum	Typical	Maximum	Units	Conditions
Luminous Intensity	I_v	1800	2500	-	mcd	$I_F = 20\text{mA}$ (Note 1)
Viewing Angle	$2\theta_{1/2}$	-	90	-	degree	$I_F = 20\text{mA}$
Color Coordinates	X	-	0.28	-	n/a	$I_F = 20\text{mA}$ (Note 2)
	Y	-	0.29	-	n/a	
DC Forward Voltage	V_F	-	3.3	4.0	V	$I_F = 20\text{mA}$
DC Reverse Current	I_R	0	-	10	μA	$V_R=5\text{V}$

Notes:

1. Light intensity measures the light sensing response standard using chromatic meter. Refer to the CIE eye-response curve set by International Lighting committee. Tolerance of minimum and maximum intensity = $\pm 15\%$
2. Color coordinates range can be selected from the bin selection table. The parameters used fulfilled the 1932 2 standard
3. These products are sensitive to static electricity and care must be fully taken when handling products



SUPER FLUX LED

BTF-37WHCS-XX-X

Absolute Maximum Ratings at $T_a=25$

Symbol	Parameter	Max.	Unit
P_D	Power Rating	80	mW
V_R	Reverse Voltage ($I_R=10\mu A$)	5	V
I_F	Continuous Forward Current	30	mA
I_{PF}	Peak Forward Current (0.1 duty cycle @ 1kHz)	100	mA
T_{opr}	Operating Temperature Range	-35 ~ + 80	
T_{stg}	Storage Temperature Range	-40 ~ + 100	
Lead Soldering Temperature [1.6mm (0.063inch) from body]		260	- max 5 seconds

Color and Brightness Selection

BTF-37WHCS-XX-X

Color Bin Selection

Bin	White	
	X	Y
BW (Bluish White)	0.20	0.20
	0.27	0.28
	0.31	0.27
	0.31	0.20
PW (Pure White)	0.24	0.28
	0.32	0.36
	0.36	0.36
	0.36	0.28
YW (Yellowish White)	0.29	0.36
	0.38	0.45
	0.42	0.45
	0.42	0.36
XX	All Range	

Brightness Bin Selection

Bin	Range(mcd)
R	1800~2500
S	2500~3500
T	3500~4900
X	1800~4900