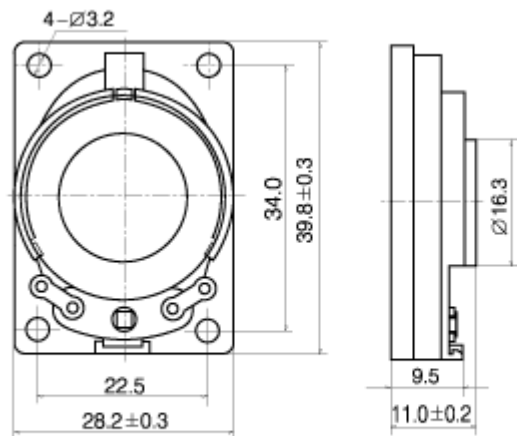




Type	BLS-3040
Rated Impedance(Ω)	$8 \pm 15\%$
Rated(Max.) Power(W)	1(2)
Resonant Frequency(Hz)	$450 \pm 20\%$
Rated Freq.Range(Hz)	$f_0 \sim 12000$
Sound Pressure Level(dB)	78 ± 3
Magnet(g)	1.8
Operating Temperature($^{\circ}\text{C}$)	$-10 \sim +40$



Unit:mm

