



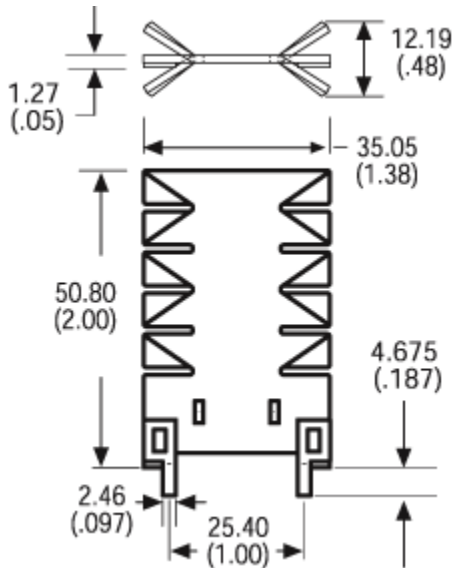
For use with TO-220 packages

534302b03553

VIS#001970



Mechanical Outline Drawing

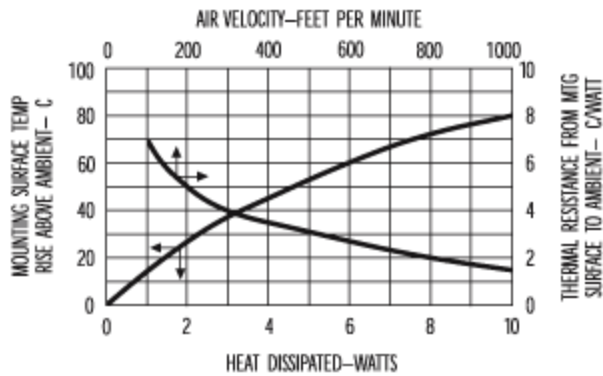


A Dim **Black Anodize**

Thermal Resistance	NA
---------------------------	----

Thermal resistance value is based on a 75°C rise in natural convection

Thermal Curves



Product Information

12 Digit Part #	Description	Finish	Board Mounting
534302b03553	"For vertical mounting (Tab35	Clip 53)"	N/A

Not Exactly what you need?

We offer several options for those applications which require a more unique solution. For slight modifications of this part or other attachment options, finishes, and interface materials, contact your [local representative](#). Challenge us with your thermal requirements - we can design custom solutions.

For technical help with our Standard Products,
please call (603) 223-1921, or contact your local Manufacturer's Rep
Email: info@aavid.com

Visit us at www.aavidthermalloy.com • ©2002 Aavid Thermalloy, LLC