





THT CURRENT SENSE TRANSFORMERS



-  UL/C-UL recognized components
-  3000Vrms gate to drive winding test
-  Useful operating frequency from 50kHz to 500kHz
-  Most popular winding configurations

Electrical Specifications @ 25°C — Operating Temperature -40°C to 130°C

Part ⁶ Number	Turns Ratio	Primary Inductance (1-10) (mH MIN)	DCR Pri (1-10) (Ω MAX)	DCR Sec1 (3-7) (mΩ ±15%)	DCR Sec2 (4-8) (mΩ ±15%)	Hi-Pot (Pri-Sec) (Vrms)
P0581	200:1:1	76	2.8	1.7	1.7	3000
P0582	100:1:1	19	1.4	1.7	1.7	3000
P0583	50:1:1	5	0.7	1.7	1.7	3000

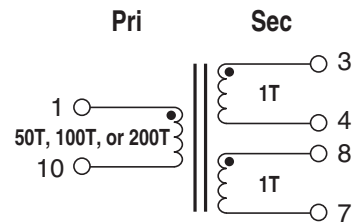
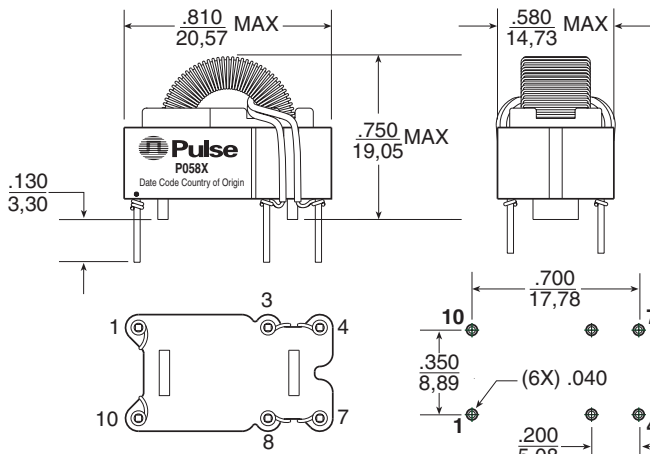
Additional Specifications

Part Number	Reference Data			Calculation Data		
	RT	Ipk (Amps)	Drop (%)	Max Flux Density	Kb	Req (mΩ)
P0581	200	34	1.00	2000	17.12	.9
P0582	100	35	1.98	2000	68.49	.8
P0583	15	36	1.19	2000	273.97	.75

- NOTES:**
- These current sense transformers have two one turn primaries that can be used in parallel. The listed current ratings are for parallel connection.
 - The reference values are for an application using the termination resistor (Rt) and operating with unipolar waveform at 100kHz, 40% duty cycle. The estimated temperature rise is 55°C.
 - The peak flux density should remain below 2100 Gauss to ensure that the core does not saturate. Use the following formula to calculate the peak flux density: $B_{pk} = K_b * I_{pk} * R_t * \text{don} / (F_f * \text{Freq. in kHz})$ where: R_t is the terminating resistor in the application and F_f is 1 for unipolar waveform and 2 for bipolar waveform
 - To calculate the droop: Droop Exponent (D) = $R_t * \text{don} / (L_{pri \text{ in mH}} * \text{Freq. in kHz})$ %Droop = $(1 - e^{-D}) * 100$
 - The temperature rise of the component is calculated based on the total core loss and copper loss:
 - To calculate total copper loss (W): $P_{cu} = I_{pk}^2 * R_{eq} * F_f * \text{don}$ where: F_f is 1 for unipolar waveform and 2 for bipolar waveform
 - To calculate total core loss (W): $P_{core} = 0.000073 * (\text{Freq. in kHz})^{1.67} * (B_{op \text{ in kG}})^{2.532}$ where: B_{op} in kG = $K_b * I_{pk} * R_t * \text{don} / (2000 * \text{Freq. in kHz})$
 - To calculate temperature rise: Temperature Rise (C) = $60.18 * (\text{Core Loss(W)} + \text{Copper Loss (W)})^{.833}$
 - To order RoHS compliant part, add the suffix "NL" to the part number (i.e. P0581 becomes P0581NL).

Mechanical

Schematic



Weight5 grams
Tray20/tray

Dimensions: Inches
mm

Unless otherwise specified, all tolerances are ± .010
0,25

SUGGESTED PCB HOLE PATTERN

For More Information:

Pulse Worldwide Headquarters

12220 World Trade Drive
San Diego, CA 92128
U.S.A.

www.pulseeng.com
TEL: 858 674 8100
FAX: 858 674 8262

Pulse Northern Europe

3 Huxley Road
Surrey Research Park
Guildford, Surrey GU2 5RE
United Kingdom

TEL: 44 1483 401700
FAX: 44 1483 401701

Pulse Southern Europe

Zone Industrielle
F-39270
Orgelet
France

TEL: 33 3 84 35 04 04
FAX: 33 3 84 25 46 41

Pulse China Headquarters

No. 1
Industrial District
Changan, Dongguan
China

TEL: 86 769 85538070
FAX: 86 769 85538870

Pulse North China

Room 1503
XinYin Building
No. 888 YiShan Road
Shanghai 200233
China

TEL: 86 21 54643211/2
FAX: 86 21 54643210

Pulse South Asia

150 Kampong Ampat
#07-01/02
KA Centre
Singapore 368324

TEL: 65 6287 8998
FAX: 65 6280 0080

Pulse North Asia

No. 26
Kao Ching Road
Yang Mei Chen
Taoyuan Hsien
Taiwan, R. O. C.

TEL: 886 3 4641811
FAX: 886 3 4641911

Performance warranty of products offered on this data sheet is limited to the parameters specified. Data is subject to change without notice. Other brand and product names mentioned herein may be trademarks or registered trademarks of their respective owners.

© Copyright, 2006. Pulse Engineering, Inc. All rights reserved.

www.pulseeng.com

P516.B (3/06)