

SurgX® ESD Suppressors

Surface Mount Transient Voltage Suppressors

SOT23ESD-A

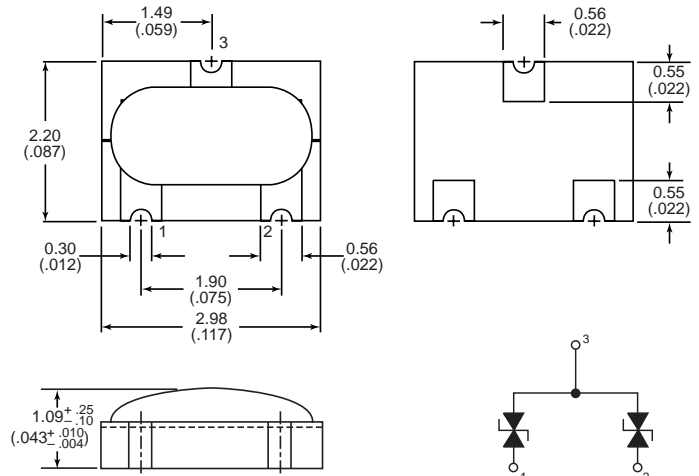
A Unique Approach to ESD Protection

SurgX® suppressors by Bussmann provide electrostatic discharge (ESD) protection in mobile communications, data processing, and many other electronic applications. They are ideally suited for low voltage, high data rate micro-processor-based circuits. The SurgX products utilize unique polymer-based materials for the suppression of the fast transient voltages caused by ESD, in conformance with IEC 61000-4-2 and MIL-STD-883C.

Features:

- Ultra-low Capacitance & Leakage Current
- Fast Response Time
- Withstands up to 15kV @ 45A ESD Pulse
- Bidirectional

Dimensional Data



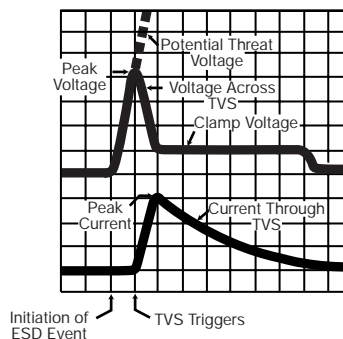
Electrical Characteristics

Continuous Operating Voltage	24V maximum
Clamping Voltage ^{1,2}	40V typical, 60V maximum
Peak Voltage ¹	150V typical, 300V maximum
Capacitance ³	1pF typical
Leakage Current ⁴	100nA max
Peak Current ^{1,2}	30A maximum
ESD Withstand ¹	20 pulses minimum

Notes:

1. Per IEC 61000-4-2, 30A @ 8kV, contact discharge.
2. Measurement made 30nS after initiation of pulse.
3. Measured @ 1MHz.
4. Measured at 24 Vdc.

Typical Transient Response



www.DataSheet.in

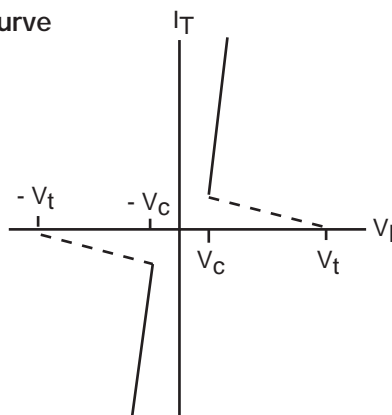
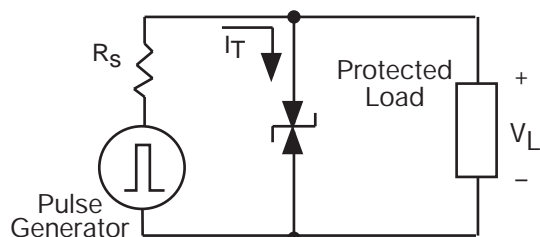
SurgX® ESD Suppressors

Surface Mount Transient Voltage Suppressors

SOT23ESD-A

Typical Circuit and Generalized V-I Curve

V_t = Trigger Voltage
 V_c = Clamping Voltage



Packaging Information:

- Tape and Reel: Standard 8mm tape, in compliance with EIA-RS481 (equivalent to IEC 286, Part 3).
 - Code: **TR1** = 2,000 pieces on tape on a 178mm reel.
SP1 = 10 pieces on tape in a plastic box.
- EX: TR1/SOT23ESD-A** denotes 2,000 pieces on tape.

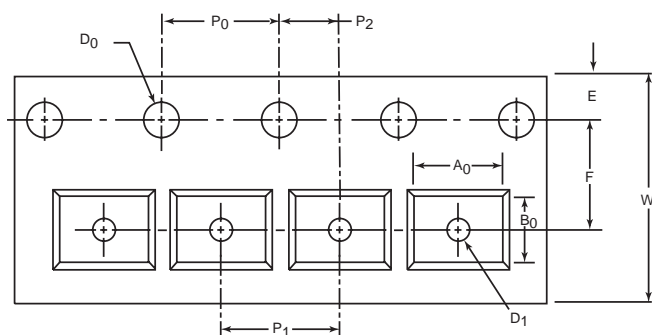
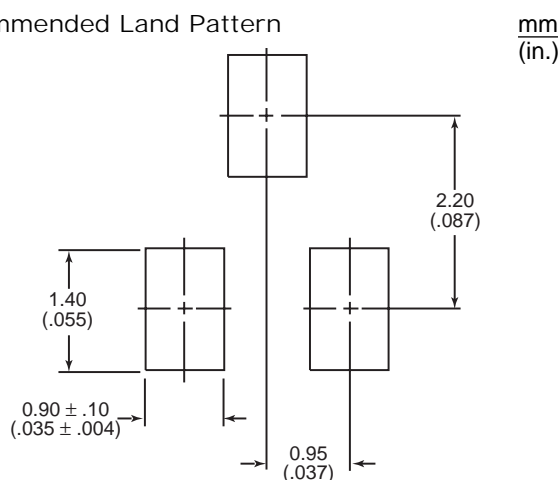
Mechanical Specifications:

- Substrate: Ceramic
- End termination finish: Nickel barrier (3.88 – 4.3µm), followed by 90/10 tin – lead (5.1 – 10.2µm)
- ESD barrier: SurgX polymeric material

Environmental Specifications:

- Dry heat: 96 hours @ 85°C
- Humidity: 96 hours @ 85% RH, 60°C
- Thermal shock: –55°C to 85°C, 1 hour cycle, 10 cycles
- Vibration: MIL-STD202, Method 204, Test Condition C, (55 to 2000 Hz, 10Gs)
- Solderability: withstands 60 seconds above 200°C, 260°C maximum
- Solder leach resistance and terminal adhesion per EIA-576

Recommended Land Pattern



Carrier Dimensions – mm (in.)

W	8.0 ± 0.1 (.315 ± .004)
F	3.5 ± 0.05 (.138 ± .002)
E	1.75 ± 0.1 (.069 ± .004)
P2	2.0 ± 0.05 (.079 ± .002)
P0	4.0 ± 0.1 (.157 ± .004)
P1	4.0 ± 0.1 (.157 ± .004)
A0	3.20 ± 0.1 (.126 ± .004)
B0	2.44 ± 0.1 (.096 ± .004)
D0	1.5 + 0.1 / -0.0 (.059 + .004 / -.000)
D1	1.00 ± .25 (.039 ± .001)

www.DataSheet.in

The only controlled copy of this BIF document is the electronic read-only version located on the Bussmann Network Drive. All other copies of this document are by definition uncontrolled. This bulletin is intended to clearly present comprehensive product data and provide technical information that will help the end user with design applications. Bussmann reserves the right, without notice, to change design or construction of any products and to discontinue or limit distribution of any products. Bussmann also reserves the right to change or update, without notice, any technical information contained in this bulletin. Once a product has been selected, it should be tested by the user in all possible applications. SurgX is a registered trademark of SurgX Corporation.