

Compact medium speed thick film thermal printhead (8dots / mm)

KD2002-CF10A

The KD2002-CF10A is ideal for applications that require compact, lightweight thermal printheads, such as POS and label printer applications. The 203dpi has a resolution of the 2-, 3-, 4-, and 8-inch sizes. This series is suitable for a wide range of applications.

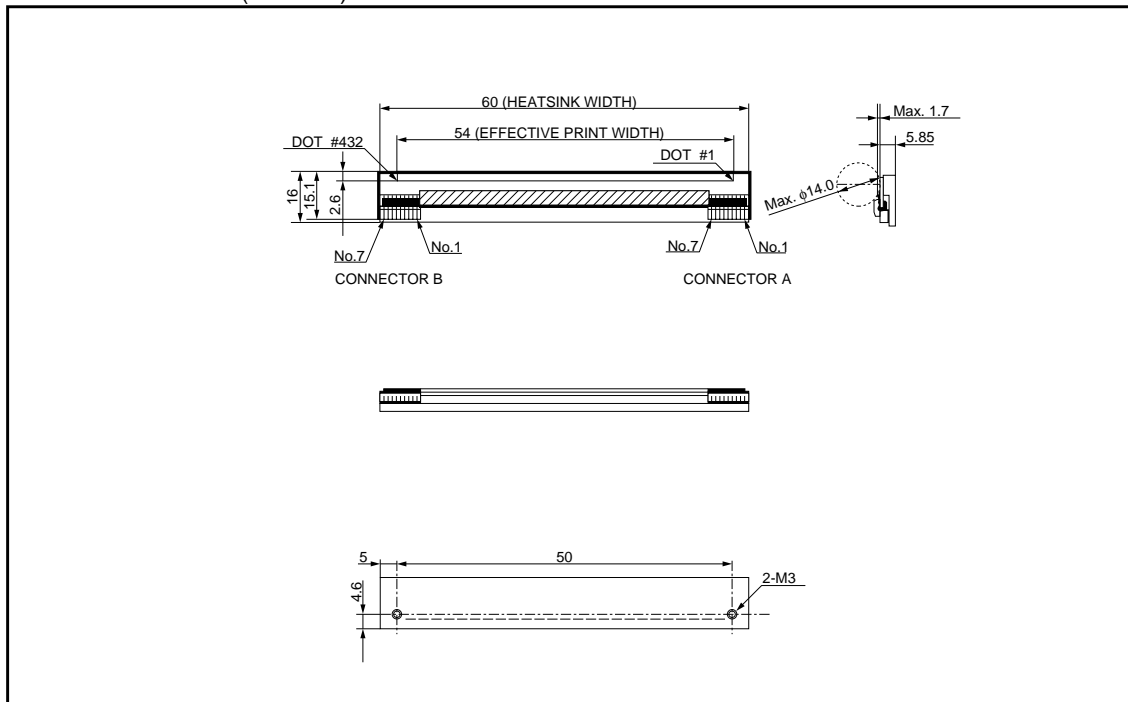
●Applications

POS printers
Label printers
Receipt printers
General purpose compact printers

●Features

- 1) Both ROHM's advanced LSI technology and proprietary partial glaze are used to realize higher printing efficiency. With a high print speed of 100mm/s, this series is also suitable for thermal transfer printing.
- 2) Besides the fact that harness-type direct connectors at either end allow wiring to be fitted as convenient, the thermal printheads can be applied directly to the substrate without a heat sink. Both these features give engineers greater freedom when designing the printer mechanism.
- 3) One rank resistance value of $800\Omega \pm 3\%$ eliminates the inconvenience of rank selection.
- 4) The required driving voltage of 3.13 to 5.25V allows wide range of power supply voltage setting. This also allows multiple choice of electronic components for printers.

●External dimensions (Unit : mm)



Printheads

●Equivalent circuit

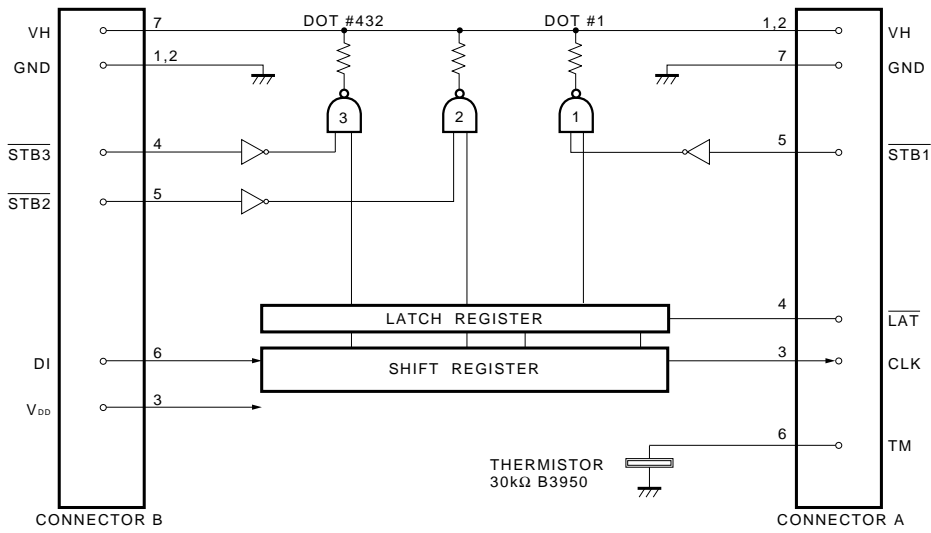


Fig.1

●Pin assignments

CONNECTOR B	
No.	Circuit
1	GND
2	GND
3	V _{DD}
4	$\overline{\text{STB3}}$
5	$\overline{\text{STB2}}$
6	DI
7	VH

CONNECTOR A	
No.	Circuit
1	VH
2	VH
3	CLK
4	$\overline{\text{LAT}}$
5	$\overline{\text{STB1}}$
6	TM
7	GND

Printheads

●Timing chart

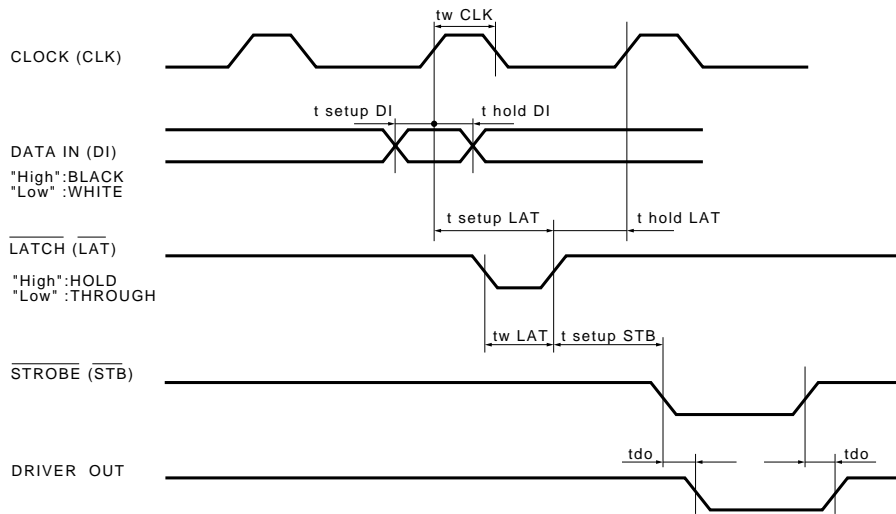


Fig.2

●Characteristics

Parameter	Symbol	Typical	Unit
Effective printing width	-	54	mm
Dot pitch	-	0.125	mm
Total dot number	-	432	dots
Average resistance value	Rave	800	Ω
Applied voltage	V _H	24.0	V
Applied power	P _O	0.64	W/dot
Print cycle	SLT	1.25	ms
Pulse width	T _{ON}	0.28	ms
Maximum number of dots energized simultaneously	-	144	dots
Maximum clock frequency	-	8	MHz
Maximum roller diameter	-	ϕ 14.0	mm
Running life / pulse life	-	50/5×10 ⁷	km/pulses
Operating temperature	-	0~50	°C

Printheads

●Electrical characteristic curves

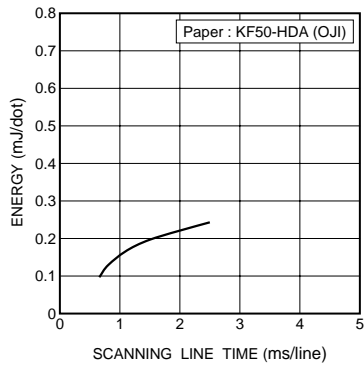


Fig.3 Adaptive speed chart

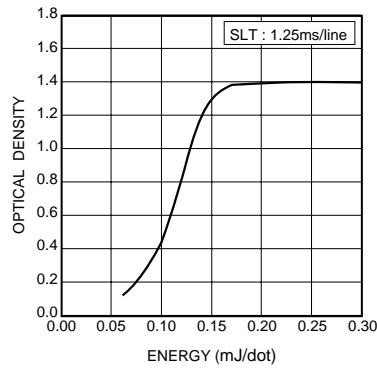


Fig.4 Representative density curve

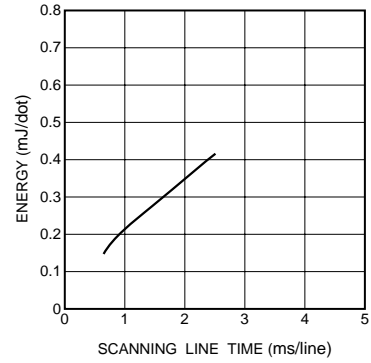


Fig.5 Maximum energy curve

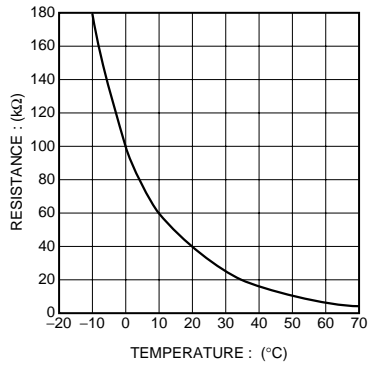


Fig.6 Thermistor curve

Notes

- No technical content pages of this document may be reproduced in any form or transmitted by any means without prior permission of ROHM CO.,LTD.
- The contents described herein are subject to change without notice. The specifications for the product described in this document are for reference only. Upon actual use, therefore, please request that specifications to be separately delivered.
- Application circuit diagrams and circuit constants contained herein are shown as examples of standard use and operation. Please pay careful attention to the peripheral conditions when designing circuits and deciding upon circuit constants in the set.
- Any data, including, but not limited to application circuit diagrams information, described herein are intended only as illustrations of such devices and not as the specifications for such devices. ROHM CO.,LTD. disclaims any warranty that any use of such devices shall be free from infringement of any third party's intellectual property rights or other proprietary rights, and further, assumes no liability of whatsoever nature in the event of any such infringement, or arising from or connected with or related to the use of such devices.
- Upon the sale of any such devices, other than for buyer's right to use such devices itself, resell or otherwise dispose of the same, no express or implied right or license to practice or commercially exploit any intellectual property rights or other proprietary rights owned or controlled by
- ROHM CO., LTD. is granted to any such buyer.
- Products listed in this document are no antiradiation design.

The products listed in this document are designed to be used with ordinary electronic equipment or devices (such as audio visual equipment, office-automation equipment, communications devices, electrical appliances and electronic toys).

Should you intend to use these products with equipment or devices which require an extremely high level of reliability and the malfunction of which would directly endanger human life (such as medical instruments, transportation equipment, aerospace machinery, nuclear-reactor controllers, fuel controllers and other safety devices), please be sure to consult with our sales representative in advance.

About Export Control Order in Japan

Products described herein are the objects of controlled goods in Annex 1 (Item 16) of Export Trade Control Order in Japan.

In case of export from Japan, please confirm if it applies to "objective" criteria or an "informed" (by MITI clause) on the basis of "catch all controls for Non-Proliferation of Weapons of Mass Destruction.