

# 1.25mm (0.049") PITCH CONNECTOR

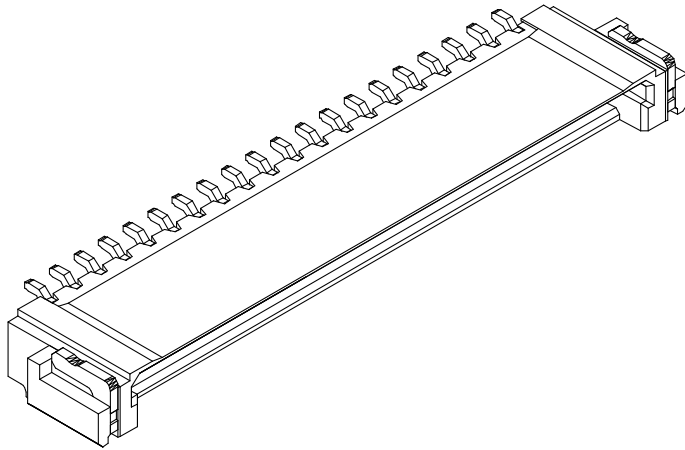


Wire-to-Board  
Wafer

12507WR Series

SMT

Right Angle

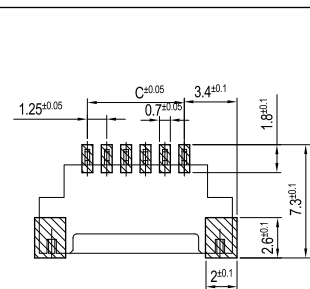
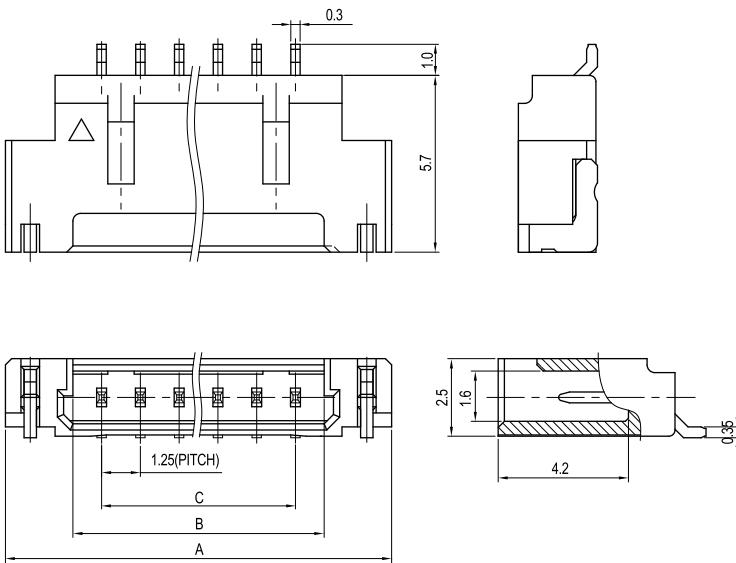


## Material

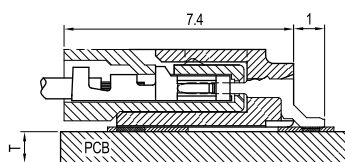
I/NO	DESCRIPTION	TITLE	MATERIAL
1	WAFER	12507WR	PA6T or PA46, UL 94V Grade
2	PIN	12507PR	Phosphor Bronze & Tin plated
3	HOOK	12507LR	Brass & Tin plated

## Available Pin

PARTS NO.	A	B	C
12507WR-20A00	29.95	25.60	23.75
12507WR-25A00	36.20	31.85	30.00
12507WR-30A00	42.45	38.10	36.25



PCB LAYOUT



PCB ASS'Y

## Specification

ITEM	SPEC
Voltage Rating	AC/DC 125V
Current Rating	AC/DC 1A
Operating Temperature	-25°C~+85°C
Contact Resistance	30mΩ MAX
Withstanding Voltage	AC250V/1min
Insulation Resistance	100MΩ MIN
Applicable Wire	-
Applicable P.C.B	0.8~1.6mm
Applicable FPC/FFC	-
Solder Height	0.15mm
Crimp Tensile Strength	-
UL FILE NO	-