

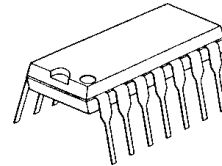
DC/DC CONVERTER CONTROL IC WITH CURRENT SENSE AMPLIFIER

■GENERAL DESCRIPTION

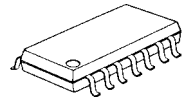
The **NJM2383** is a low voltage operation DC/DC converter control IC featuring high side current protection, soft start and standby functions.

It is suitable for power module application and on-board regulators.

■PACKAGE OUTLINE



NJM2383D



NJM2383M

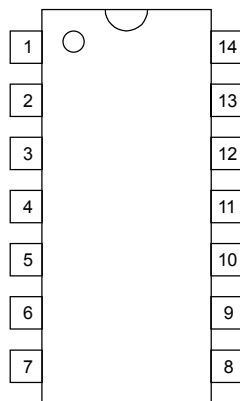


NJM2383V

■FEATURES

- PWM switching control
- Operating Voltage (3.6 to 32V)
- Wide Oscillator Range (5 to 350 kHz)
- ON/OFF Circuit (High Active)
- Current Sensing Amplifier
- Soft-Start Function
- UVLO(Under Voltage Lockouts)
- Bipolar Technology
- Package Outline DIP14, DMP14, SSOP10

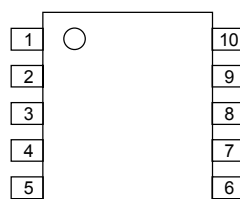
■PIN CONFIGURATION



**NJM2383D
NJM2383M**

PIN FUNCTION

1.NC	8.NC
2.IN ⁻ 1	9. V ⁺
3.IN ⁻ 2	10.CS
4.F.B	11.CT
5.GND	12.REF
6.OUT	13.ON/OFF
7.NC	14.NC



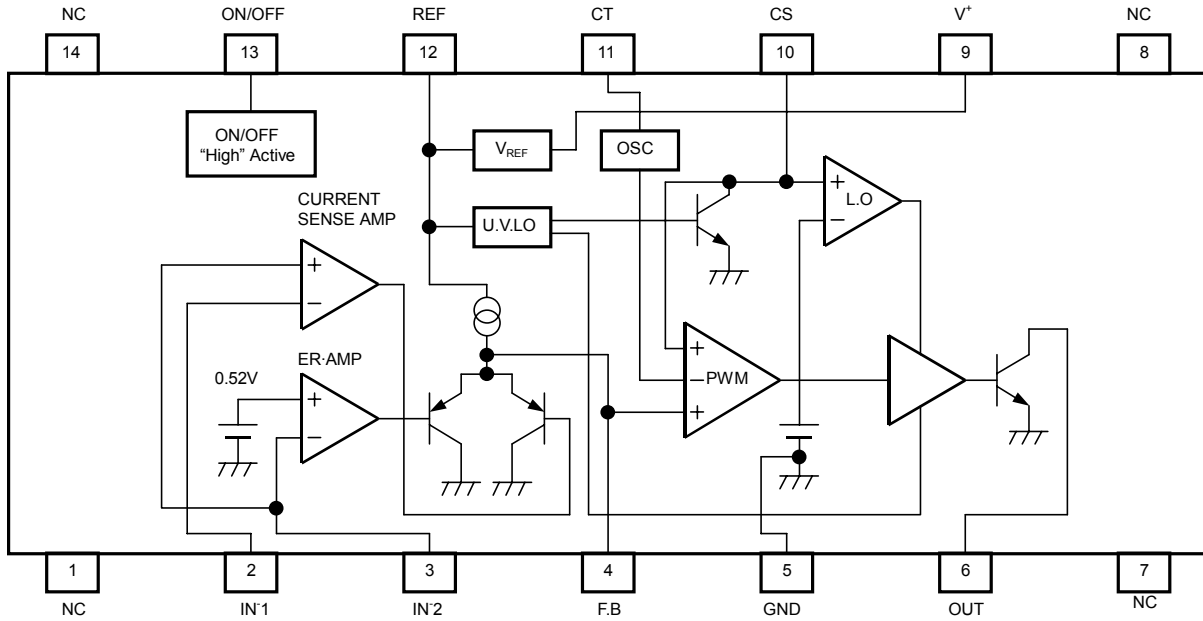
NJM2383V

PIN FUNCTION

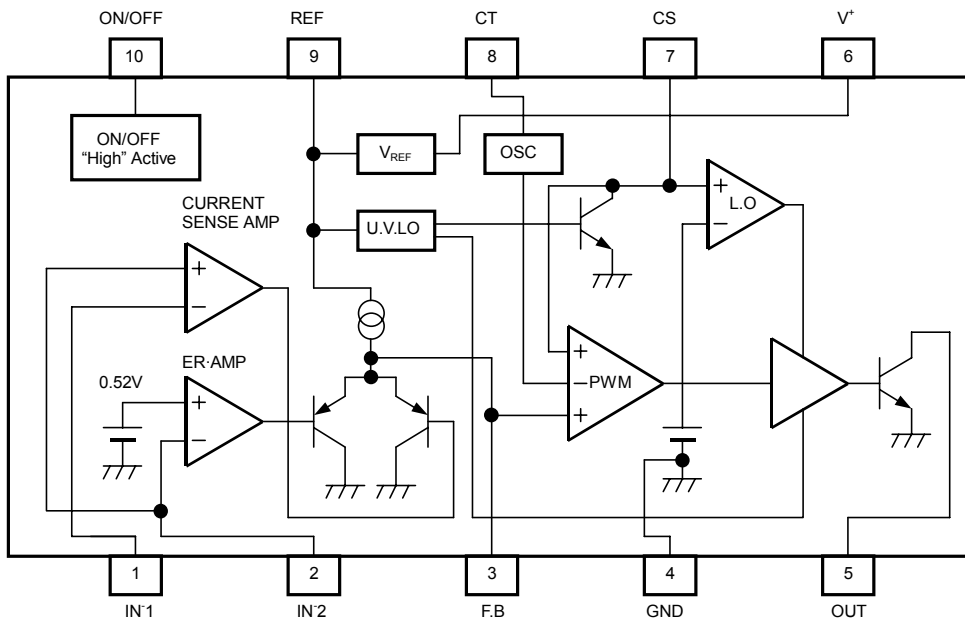
1.IN ⁻ 1	6. V ⁺
2.IN ⁻ 2	7.CS
3.F.B	8.CT
4.GND	9.REF
5.OUT	10.ON/OFF

NJM2383

■BLOCK DIAGRAM



(Package: DIP14, DMP14)



(Package: SSOP10)

■ABSOLUTE MAXIMUM RATINGS (Ta=25°C)

PARAMETER	SYMBOL	MAXIMUM RATINGS	UNIT
Input Voltage	V ⁺	36	V
Reference Output Current	I _{OR}	10	mA
Output Sink Current	I _{SINK}	200	mA
Differential Input Voltage	V _{ID}	2.5	V
Common Mode Input Voltage	V _{IC}	-0.3 ~ 2.5	V
ON/OFF Control Voltage	V _{ON/OFF}	-0.3 ~ 36 (note)	V
Power Dissipation	P _D	(DIP 14) 700 (DMP 14) 300 (SSOP 14) 250	mW
Operating Temperature Range	T _{OPR}	-40 ~ +85	°C
Storage Temperature Range	T _{STG}	-50 ~ +125	°C

(note) When the supply voltage is less than 36V, the absolute maximum input voltage is equal to the supply voltage.

■ELECTRICAL CHARACTERISTICS (V⁺=6V, R_T=33kΩ, C_T=1000pF, V_{ON/OFF}=3V, Ta=25°C)

REFERENCE VOLTAGE BLOCK

PARAMETER	SYMBOL	TEST CONDITION	MIN.	TYP.	MAX.	UNIT
Output Voltage	V _{REF}	I _{OR} =1mA	2.45	2.50	2.55	V
Line Regulation	L _{LINE}	V ⁺ =3.6 ~ 32V, I _{OR} =1mA	–	6.8	20.7	mV
Load Regulation	L _{LOAD}	I _{OR} =0.1 ~ 5.0mA	–	5	30	mV

OSCILLATOR BLOCK

PARAMETER	SYMBOL	TEST CONDITION	MIN.	TYP.	MAX.	UNIT
Oscillation Frequency	f _{OSC}	R _T =33kΩ, C _T =1000pF	85	105	125	kHz
Oscillate Fluctuations1 (Line Fluctuations)	f _{dV}	V ⁺ =3.6 ~ 32V	–	1	–	%
Oscillate Fluctuations2 (Temp Fluctuations)	f _{dT}	Ta=-40 ~ 85°C	–	5	–	%

CURRENT SENSE AMPLIFIER BLOCK

PARAMETER	SYMBOL	TEST CONDITION	MIN.	TYP.	MAX.	UNIT
Input Offset Voltage1	V _{IO1}		–	2	7	mV
Input Offset Current1	I _{IO1}		–	5	–	nA
Input Bias Current1	I _{B1}		–	20	100	nA
Open Loop Gain1	A _{V1}		–	90	–	dB
Gain Bandwidth Product1	G _{B1}		–	0.6	–	MHz
Input Common Mode Voltage Ratio1	V _{ICM1}		–	0 ~ V _{REF} -0.8	–	V
Maximum Output Voltage1 (F.B Pin)	V _{OM-1}	R _{NF} =100kΩ	–	–	1	V
Maximum Source Current1 (F.B Pin)	I _{OM+1}	V _{OM} =0.5V	40	85	200	μA

NJM2383

■ELECTRICAL CHARACTERISTICS ($V^+=6V, R_T=33k\Omega, C_T=1000pF, V_{ON/OFF}=3V, T_a=25^\circ C$)

ERROR AMPLIFIER BLOCK

PARAMETER	SYMBOL	TEST CONDITION	MIN.	TYP.	MAX.	UNIT
Reference Voltage2	V_{B2}		0.51	0.52	0.53	V
Input Bias Voltage2	I_{B2}		–	5	100	nA
Open Loop Gain2	A_{v2}		–	90	–	dB
Gain Bandwidth Product2	G_{B2}		–	0.6	–	MHz
Maximum Output Voltage2 (F.B Pin)	V_{OM-2}	$R_{NF}=100k\Omega$	–	–	1	V
Maximum Source Current2 (F.B Pin)	I_{OM+2}	$V_{OM}=0.5V$	40	85	200	μA

PWM COMPARATE BLOCK

PARAMETER	SYMBOL	TEST CONDITION	MIN.	TYP.	MAX.	UNIT
Input Threshold Voltage (F.B Pin)	V_{TH0}	duty·cycle=0% (note)	–	1.65	1.75	V
Input Threshold Voltage (F.B Pin)	V_{TH100}	duty·cycle=100% (note)	–	2.10	–	V

SOFT START CIRCUIT BLOCK

PARAMETER	SYMBOL	TEST CONDITION	MIN.	TYP.	MAX.	UNIT
Input Bias Current (CS Pin)	I_{BCS}	CS Pin=1.8V	–	250	650	nA
Input Threshold Voltage (CS Pin)	V_{THCS0}	duty·cycle=0% (note)	–	0.25	0.35	V
Input Threshold Voltage (CS Pin)	V_{THCS50}	duty·cycle=100% (note)	–	0.7	–	V

UNDER VOLTAGE LOCKOUT BLOCK

PARAMETER	SYMBOL	TEST CONDITION	MIN.	TYP.	MAX.	UNIT
ON Threshold Voltage	V_{THON}		–	2.70	–	V
OFF Threshold Voltage	V_{THOFF}		–	2.52	–	V
Hysteresis Voltage	V_{HYS}		60	180	–	mV

OUTPUT BLOCK

PARAMETER	SYMBOL	TEST CONDITION	MIN.	TYP.	MAX.	UNIT
L Output Voltage (OUT Pin)	V_{OL}	Output Sink Current=100mA	–	0.25	0.65	V

■ ELECTRICAL CHARACTERISTICS ($V^+=6V, R_T=33k\Omega, C_T=1000pF, V_{ON/OFF}=3V, T_a=25^\circ C$)

ON/OFF BLOCK

PARAMETER	SYMBOL	TEST CONDITION	MIN.	TYP.	MAX.	UNIT
OFF Threshold Voltage (ON/OFF Pin)	V_{OFF}		-	-	0.3	V
ON Threshold Voltage (ON/OFF Pin)	V_{ON}		1.1	-	-	V
Input Bias Current (ON/OFF Pin)	$I_{ON/OFF}$	$V_{ON/OFF}=3V$	-	100	120	μA

GENERAL CHARACTERISTICS

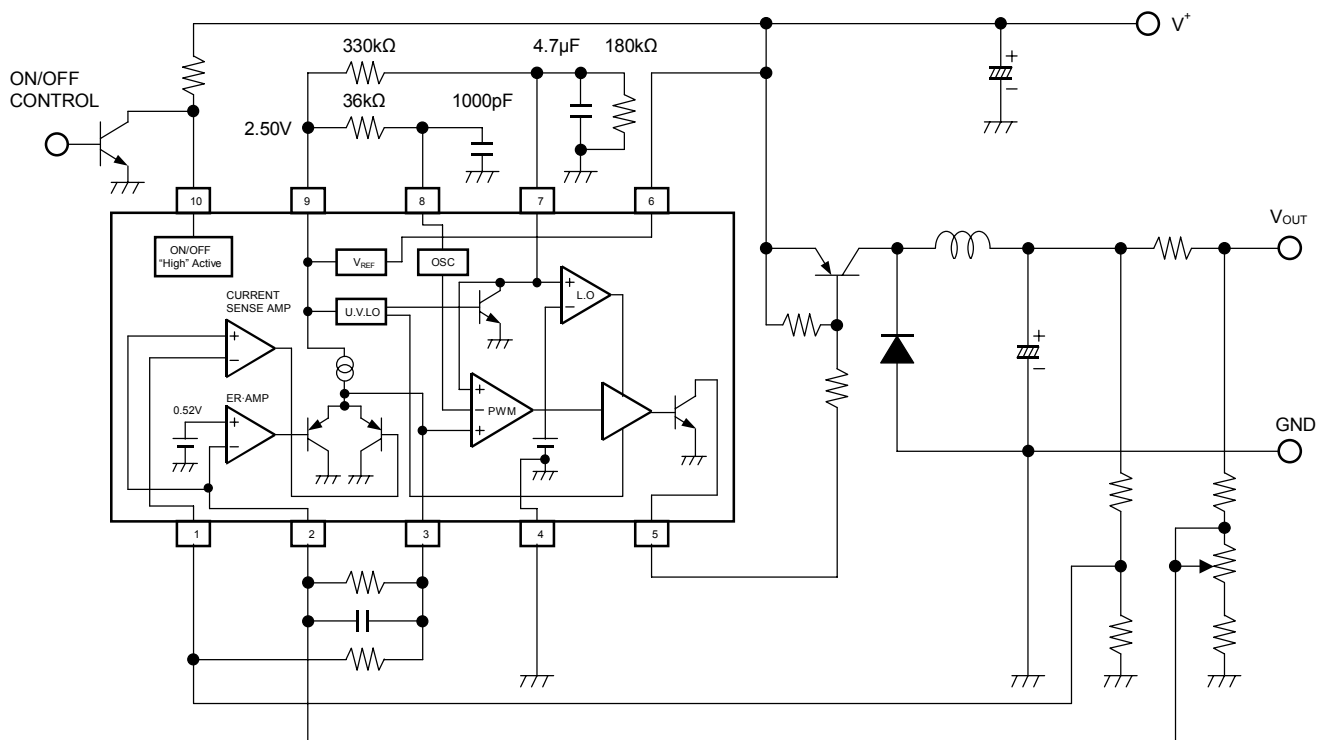
PARAMETER	SYMBOL	TEST CONDITION	MIN.	TYP.	MAX.	UNIT
Stand-by Current	I_{CCSTBY}	Stand-by Mode, $V_{ON/OFF}=0V$	-	12	20	μA
Latch Mode Threshold Voltage (CS Pin)	V_{THLA}		1.2	1.5	1.8	V
Quiescent Current	I_{CCLA}	Latch Mode	-	1.6	2.2	mA
Average Quiescent Current	I_{CCAV}	$RL = \infty$, duty-cycle=50%	-	5.5	10	mA

(note) Duty-Cycle is defined as follows:

Duty-Cycle=0%: IC output transistor is OFF.

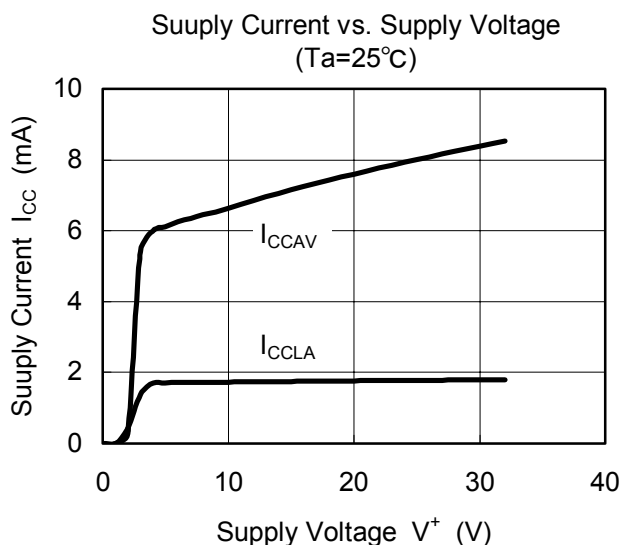
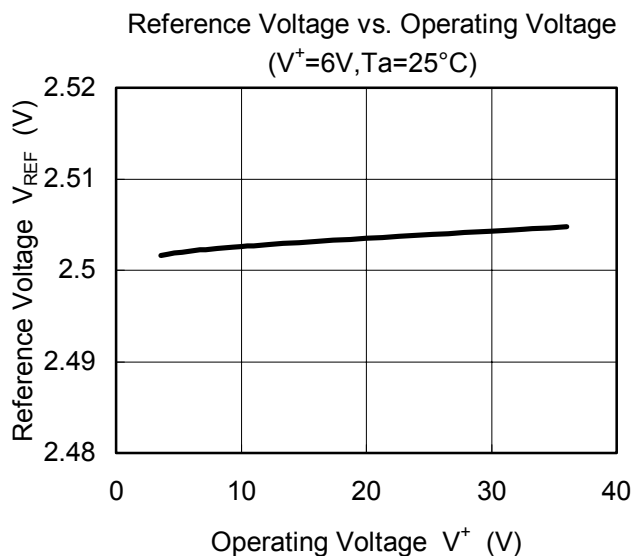
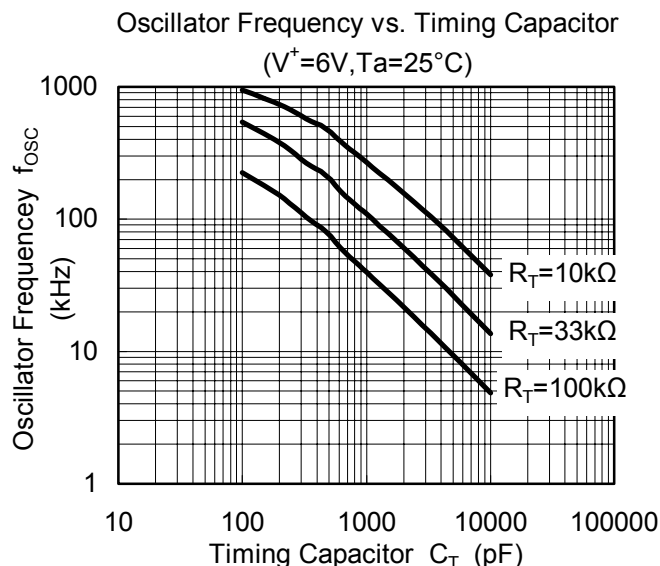
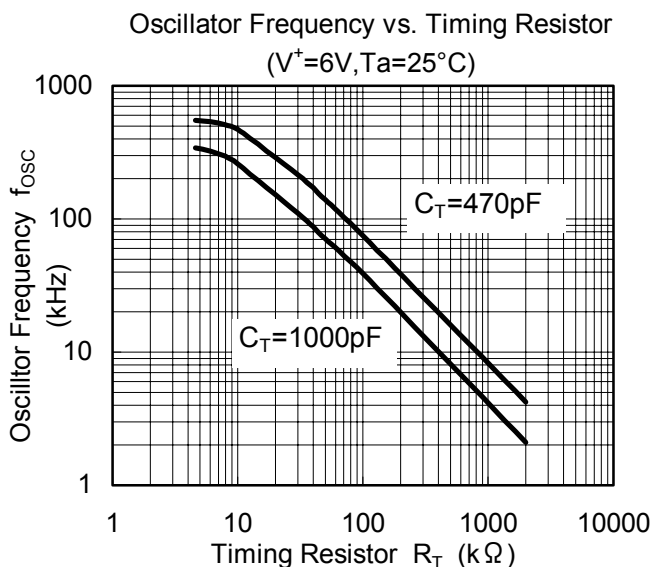
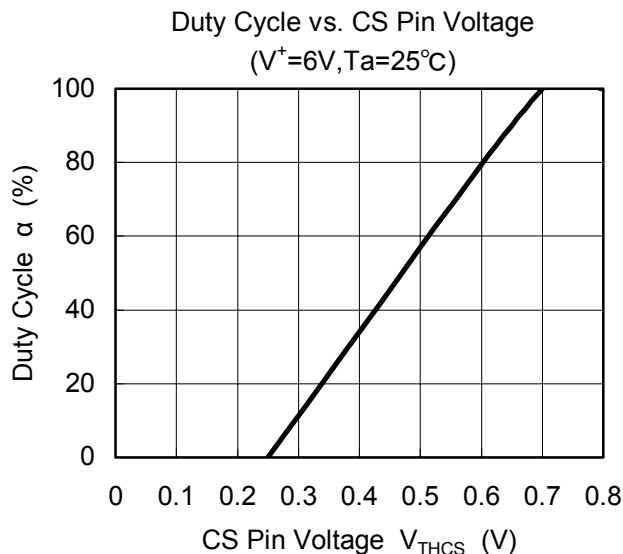
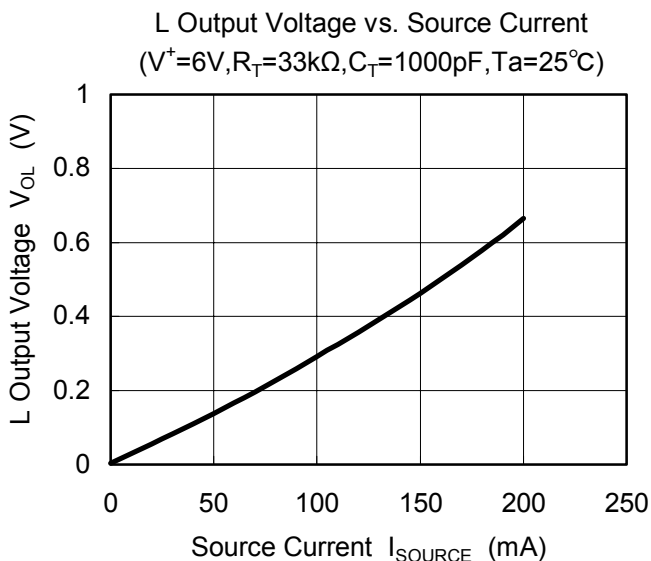
Duty-Cycle=100%: IC output transistor is ON.

■ TYPICAL APPLICATIONS



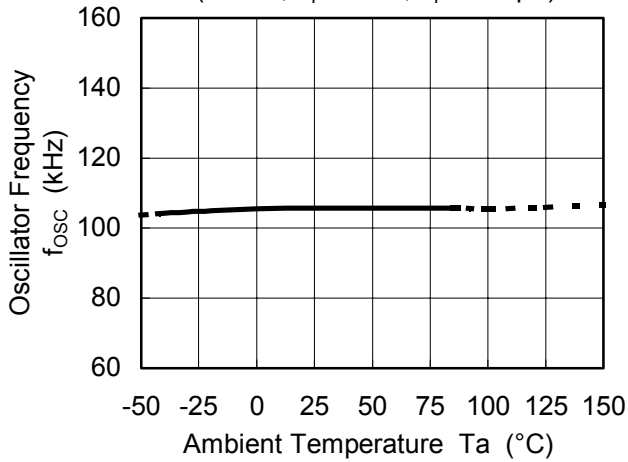
(Package:SSOP10)

TYPICAL CHARACTERISTICS

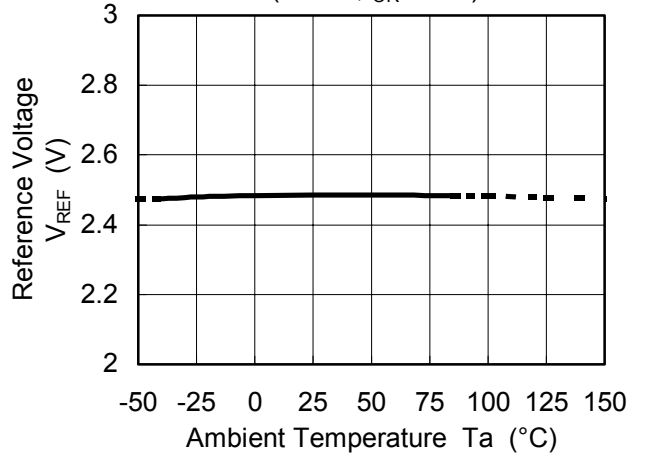


TYPICAL CHARACTERISTICS

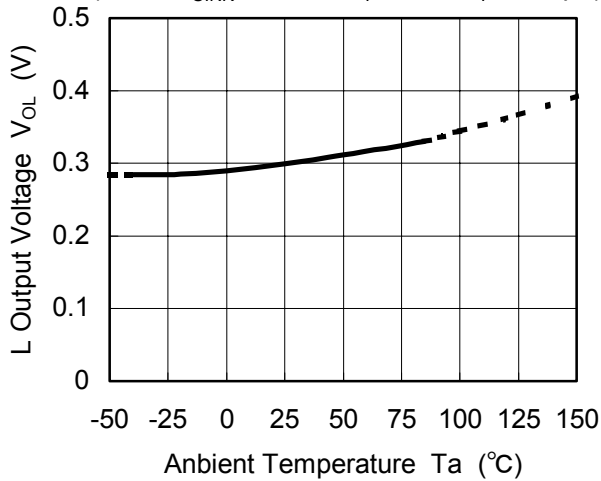
Oscillator Frequency vs. Temperature
($V^+=6V, R_T=33k\Omega, C_T=1000pF$)



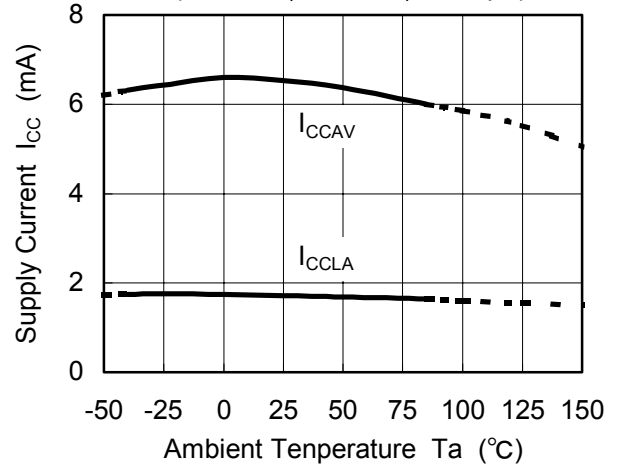
Reference Voltage vs. Temperature
($V^+=6V, I_{OR}=1mA$)



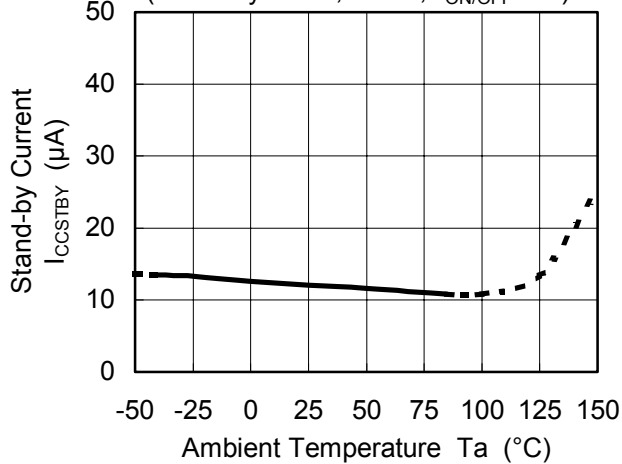
L Output Voltage vs. Temperature
($V^+=6V, I_{SINK}=100mA, R_T=33k\Omega, C_T=1000pF$)



Supply Current vs. Temperature
($V^+=6V, R_T=33k\Omega, C_T=1000pF$)



Stand-by Current vs. Temperature
(Stand-by Mode, $V^+=6V, V_{ON/OFF}=0V$)



[CAUTION]

The specifications on this databook are only given for information, without any guarantee as regards either mistakes or omissions. The application circuits in this databook are described only to show representative usages of the product and not intended for the guarantee or permission of any right including the industrial rights.