

### POWER MANAGEMENT

#### Description

The SC1592 is a 3A low dropout high performance linear voltage regulator, that provides a low voltage, high current output with a minimum of external components, utilizing dual supply configuration.

The SC1592 offers a wide input voltage range from 1.25V to 16V and is ideal for applications that need to convert down to 0.8V.

Additionally, the SC1592 is fully protected with an externally programmable current limit, and thermal shutdown. Also, there is an EN input which enables or shuts down the device.

The SC1592 voltage regulator is available in 7-lead DDPAK and SOIC-8L EDP packages.

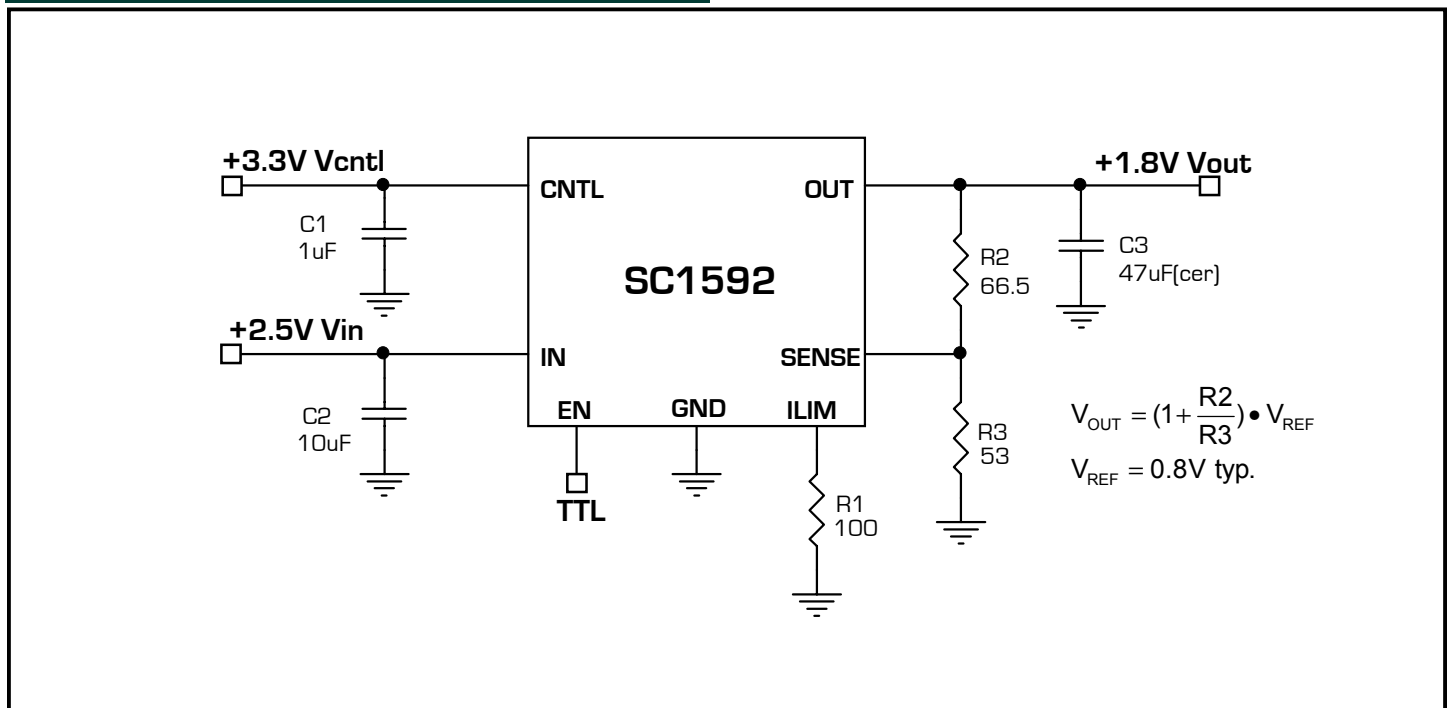
#### Features

- ◆ Wide input range,  $V_{IN} = 1.25V$  to 16V,  
 $V_{CNTL} = 3V$  to 16V
- ◆ 3A Guaranteed Output Current
- ◆ 260mV (typ) @ 3A dropout voltage in dual supply mode
- ◆ 1% Initial Accuracy
- ◆ Adjustable output voltage, down to 0.8V
- ◆ Programmable current limiting and thermal shutdown
- ◆ Fast transient response
- ◆ Excellent line and load regulation
- ◆ Power SO-8 and 7-lead DDPAK

#### Applications

- ◆ Low voltage logic supplies
- ◆ Microprocessor and chipset supplies
- ◆ Split plane microprocessor supplies
- ◆ Advanced graphics cards supplies
- ◆ Sound cards and auxiliary power supplies
- ◆ SMPS post regulator

#### Typical Application Circuit



**POWER MANAGEMENT**
**Absolute Maximum Ratings**

Exceeding the specifications below may result in permanent damage to the device, or device malfunction. Operation outside of the parameters specified in the Electrical Characteristics section is not implied.

| Parameter  | Symbol        | Maximum            | Units |
|--|---------------|--------------------|-------|
| Power Input Voltage  | $V_{IN}$      | 18                 | V     |
| Control Input Voltage  | $V_{CNTL}$    | 18                 | V     |
| Output Current   | $I_{OUT}$     | 5                  | A     |
| Power Dissipation  | $P_D$         | Internally Limited | W     |
| Thermal Resistance Junction to Ambient<br>DDPAK (1sq. in.)<br>SOIC-8L EDP (1sq. in.) | $\theta_{JA}$ | 29<br>36.5         | °C/W  |
| Thermal Resistance Junction to Case<br>DDPAK<br>SOIC-8L EDP                          | $\theta_{JC}$ | 3<br>5.5           | °C/W  |
| Junction Temperature Range   | $T_J$         | -40 to +125        | °C    |
| Storage Temperature Range  | $T_{STG}$     | -65 to +150        | °C    |
| Lead Temperature (Soldering) 10 Sec.   | $T_{LEAD}$    | 300                | °C    |
| ESD Rating (Human Body Model)  | ESD           | 2                  | kV    |

**Electrical Characteristics**

Unless specified:  $V_{IN} = 2.5V$ ,  $V_{EN} = V_{CNTL} = 3.3V$ ,  $V_{OUT} = 1.8V$ ,  $I_{OUT} = 10mA$ ,  $R_{LIM} = 100\Omega$ ,  $T_J = T_A = 25^\circ C$ .  
Values in **bold** indicate  $-40^\circ C < T_J < +125^\circ C$ .

| Parameter                       | Symbol          | Test Conditions   | Min        | Typ  | Max        | Units   |
|---------------------------------|-----------------|---|------------|------|------------|---------|
| Control Voltage                 | $V_{CNTL}$      | $V_{OUT} = V_{REF}$   | <b>3</b>   |      | <b>16</b>  | V       |
| Reference Voltage               | $V_{REF}$       | $V_{OUT} = V_{REF}$   | <b>792</b> | 800  | <b>808</b> | mV      |
| Control Pin Current             | $I_{CNTL\_EN}$  | $V_{CNTL} = V_{IN} = V_{EN} = 16V$<br>$V_{OUT} = V_{REF}; I_O = 0$  |            | 3    | <b>8</b>   | mA      |
|                                 |                 | $V_{CNTL} = V_{IN} = V_{EN} = 16V$<br>$V_{OUT} = V_{REF}; I_O = 3A$ |            | 24   |            |         |
| Control Pin Current in Shutdown | $I_{CNTL\_DIS}$ | $V_{CNTL} = V_{IN} = 16V$<br>$V_{EN} = 0$                           |            | 1    | <b>5</b>   | $\mu A$ |
| $V_{IN}$ Line Regulation        | $REG_{(LINE)}$  | $2.5V \leq V_{IN} \leq 16V$   |            | 0.01 | <b>0.1</b> | %/V     |
| $V_{CNTL}$ Line Regulation      | $REG_{(CNTL)}$  | $3.3V \leq V_{CNTL} \leq 16V$ ,<br>$V_{OUT} = V_{REF}$              |            | 0.1  | <b>0.4</b> | %/V     |
| Load Regulation <sup>(1)</sup>  | $REG_{(LOAD)}$  | $10mA \leq I_{OUT} \leq 2A, T_J = 25^\circ C$                       |            | 0.8  | 1.5        | %       |
|                                 |                 | $10mA \leq I_{OUT} \leq 3A, -40 < T_J < 125^\circ C$                |            | 1.4  | <b>3</b>   | %       |
| Dropout Voltage                 | $V_{DO}$        | $I_{OUT} = 2A; V_{OUT} = 0.98 V_{nom}$                              |            | 160  | <b>320</b> | mV      |
|                                 |                 | $I_{OUT} = 3A; V_{OUT} = 0.98 V_{nom}$                              |            | 260  | <b>520</b> |         |

**POWER MANAGEMENT**
**Electrical Characteristics (Cont.)**

Unless specified:  $V_{IN} = 2.5V$ ,  $V_{EN} = V_{CNTL} = 3.3V$ ,  $V_{OUT} = 1.8V$ ,  $I_{OUT} = 10mA$ ,  $R_{LIM} = 100\Omega$ ,  $T_J = T_A = 25^\circ C$ .  
 Values in **bold** indicate  $-40^\circ C < T_J < +125^\circ C$ .

| Parameter                             | Symbol     | Test Conditions          | Min      | Typ | Max        | Units      |
|---------------------------------------|------------|--------------------------|----------|-----|------------|------------|
| Thermal Shutdown                      | $T_{SHUT}$ |                          |          | 150 |            | $^\circ C$ |
| Thermal Shutdown Hysteresis           |            |                          |          | 10  |            | $^\circ C$ |
| SENSE Input Current                   |            |                          |          | 1   |            | $\mu A$    |
| Low Level EN                          |            |                          |          |     | <b>0.8</b> | V          |
| High Level EN                         |            |                          | <b>2</b> |     |            | V          |
| EN Input Current                      |            | $V_{EN} = V_{CNTL} = 5V$ |          | 55  | <b>100</b> | $\mu A$    |
| EN Impedance                          |            |                          |          | 65  |            | K $\Omega$ |
| Current Limit Accuracy <sup>(2)</sup> | $I_{LIM}$  |                          | -20      |     | +20        | %          |

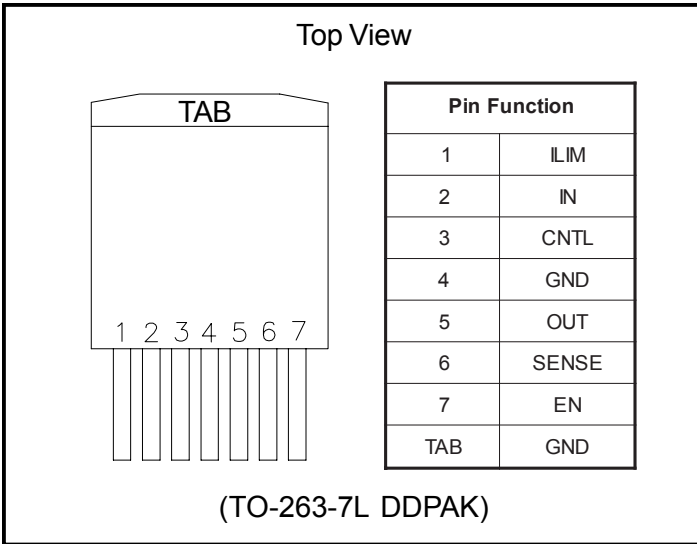
**Notes:**

(1) For load regulation use a 1ms current pulse width, d.c.  $\leq 10\%$  when measuring VOUT.

(2) Current limit is programmable,  $I_{LIM} \approx \frac{240 \cdot V_{OUT}}{R_{LIM}}$

**POWER MANAGEMENT**

**Pin Configurations**



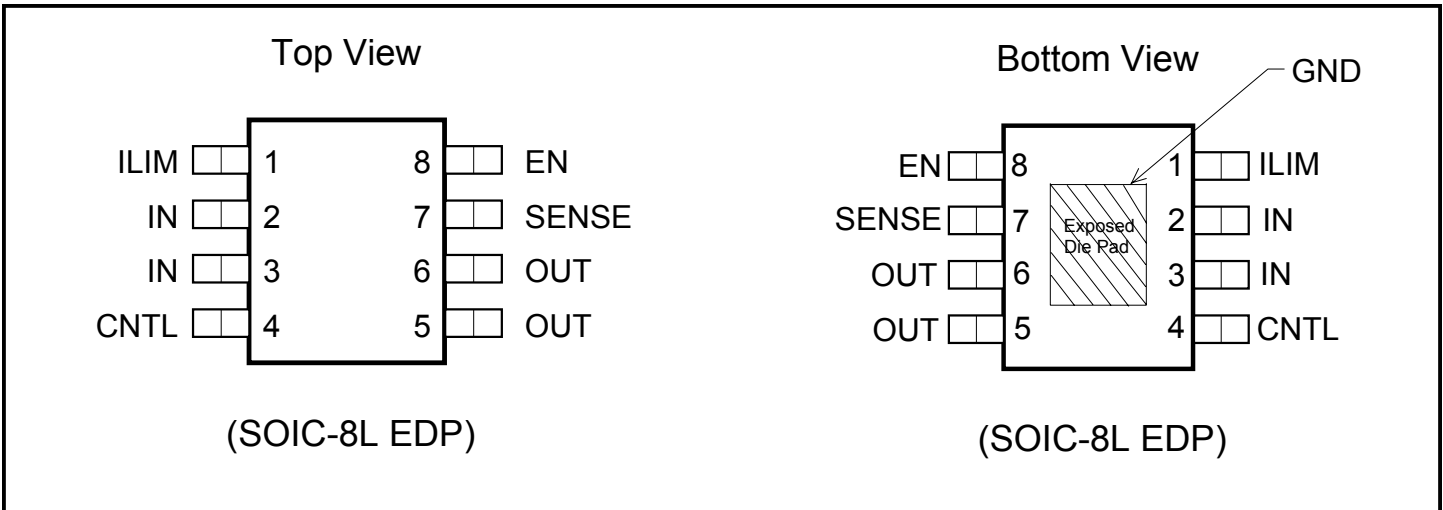
**Ordering Information**

| Part Number              | Package <sup>(1)</sup> | Temp. Range (T <sub>j</sub> ) |
|--------------------------|------------------------|-------------------------------|
| SC1592IMTR               | TO-263-7L              | -40°C to +125°C               |
| SC1592ISTR               | SOIC-8L EDP            |                               |
| SC1592EVB <sup>(2)</sup> | Evaluation Board       |                               |

Notes:

(1) Only available in tape and reel packaging. A reel contains 800 devices for TO-263 package and 2500 devices for SOIC package.

(2) When ordering Evaluation Board please specify package needed (TO-263(DDPAK) or SOIC(EDP)).



**Pin Descriptions**

| Pin # DDPACK | Pin # SOIC | Pin Name | Pin Function  |
|--------------|------------|----------|---|
| 1            | 1          | ILIM     | Externally programmable current limit should be set at < 5A.  |
| 2            | 2, 3       | IN       | This is the collector input to the power device. The output load current is supplied through this pin.  |
| 3            | 4          | CNTL     | This pin is the bias supply for the control circuitry. The current flow into this pin will be approximately 1% of the output current. For the device to regulate, the voltage on this pin must be at least 1.5V greater than the output voltage, but no less than V <sub>CNTL_MIN</sub> . |
| 4, TAB       | PAD        | GND      | Ground.   |
| 5            | 5, 6       | OUT      | This is the power output of the device.   |
| 6            | 7          | SENSE    | This is a feedback input.   |
| 7            | 8          | EN       | Enable input. When high, should be less or equal to V <sub>CNTL</sub> .   |

POWER MANAGEMENT

Block Diagram

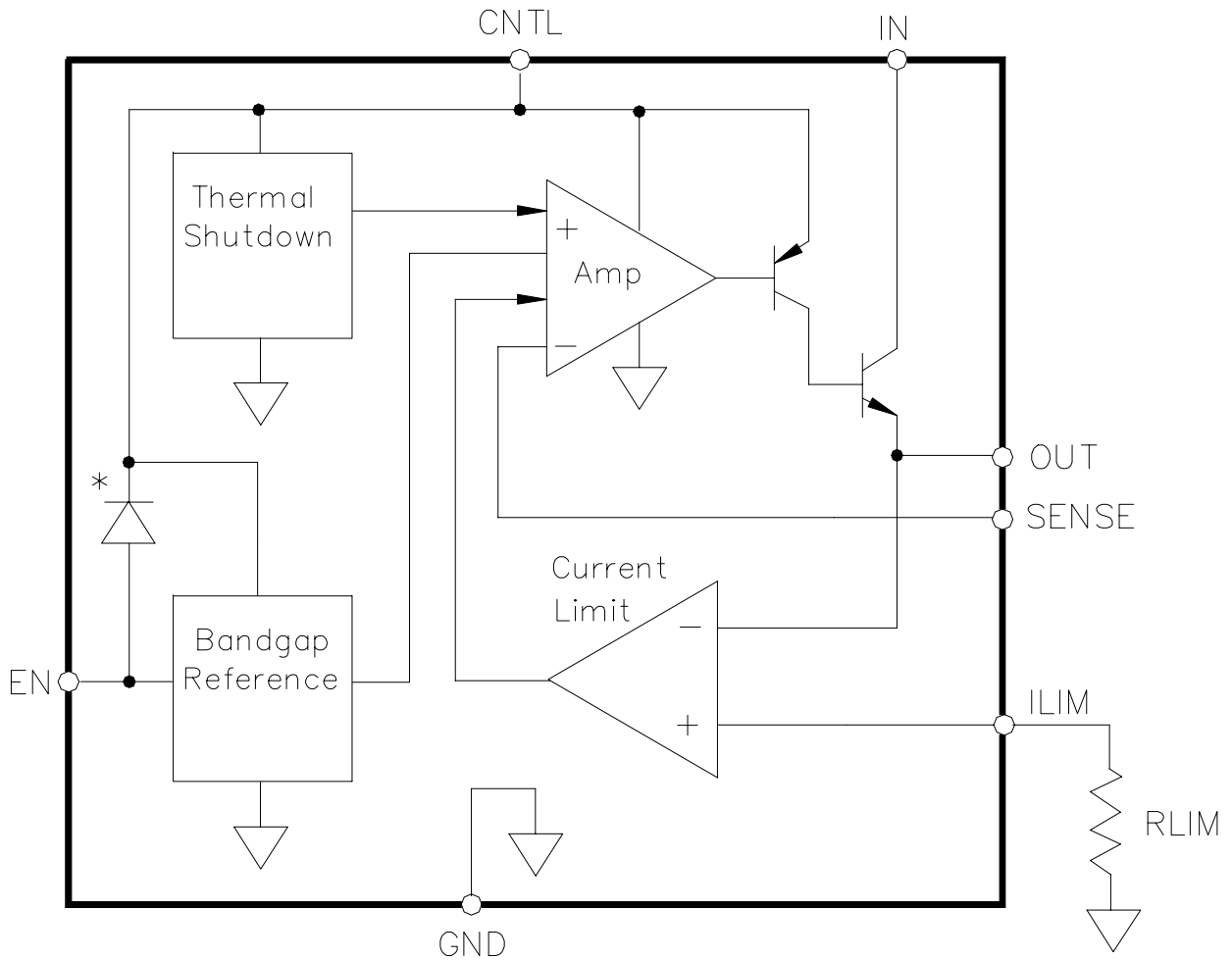


Figure 1

$$R_{LIM} \approx 240 \times \left[ \frac{V_{OUT}}{I_{LIM}} \right]$$

$I_{LIM}$  = Selected current limit value

$V_{OUT}$  = Regulated output voltage

$R_{LIM}$  = Externally programmable current limit resistor.

Accuracy of the current limit setting is better than  $\pm 20\%$  over full operating temperature range.

\*Internal ESD structure. In cases where EN is permanently tied to  $V_{IN}$ , it's recommended that a 10-20k resistor should be inserted in the link between EN and  $V_{IN}$ .

**POWER MANAGEMENT**
**Application Information**

The SC1592 is a 3A low dropout high performance linear voltage regulator. The SC1592 can be used for voltage applications as low as 0.8V and is ideal for down conversion utilizing dual supply configuration. This allows for extremely low dropout voltages with excellent load and line regulation. The SC1592 can be utilized in high voltage applications, with  $V_{IN}$  and  $V_{CNTL}$  up to 16V, providing there is adequate thermal management.

SC1592 is designed to meet stringent requirements of current generation microprocessors and other sensitive electronic devices. This is possible by employing an additional bias source,  $V_{CNTL}$ . The voltage of this supply needs to be at least 1.5V greater than the output voltage in order to achieve low dropout, typically less than 300mV.

Unlike most of the other high current linear regulators, the SC1592 provides a programmable current limit which can be set with a single resistor. The value of the programming resistor is:

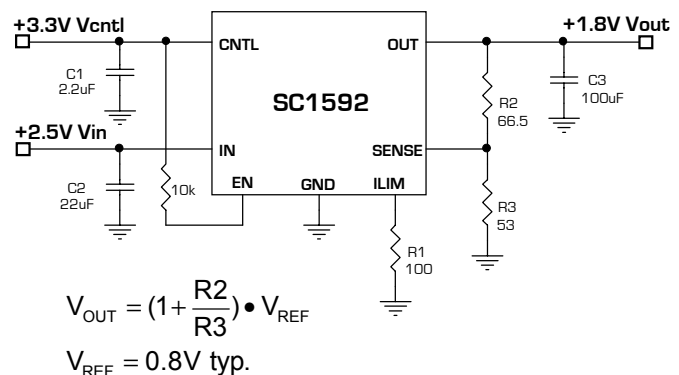
$$I_{LIM} \approx \frac{240 \cdot V_{OUT}}{R_{LIM}}$$

where  $I_{LIM}$  = selected current limit value  
 $V_{OUT}$  = regulated output voltage  
 $R_{LIM}$  = programmable current limit resistor

The SC1592 has a fast transient response that allows it to handle large load changes associated with high current applications. Proper selection of the of the output capacitor and it's ESR value determines stable operation and optimizes performance.

The typical application shown in Figure 2 was tested with a wide range of different capacitors. The circuit was found to be unconditionally stable with capacitor values from 47 $\mu$ F to 330 $\mu$ F and ESR ranging from 0.5m $\Omega$  to greater than 75m $\Omega$ .

It's recommended to maintain 5-10mA through the output divider network in order to have a tight load and line regulation. Initial accuracy of the internal voltage reference  $V_{REF} = 0.8V \pm 1\%$  over full temperature range. This commands the use of 0.5% or better accuracy resistors to build a precision power supply.

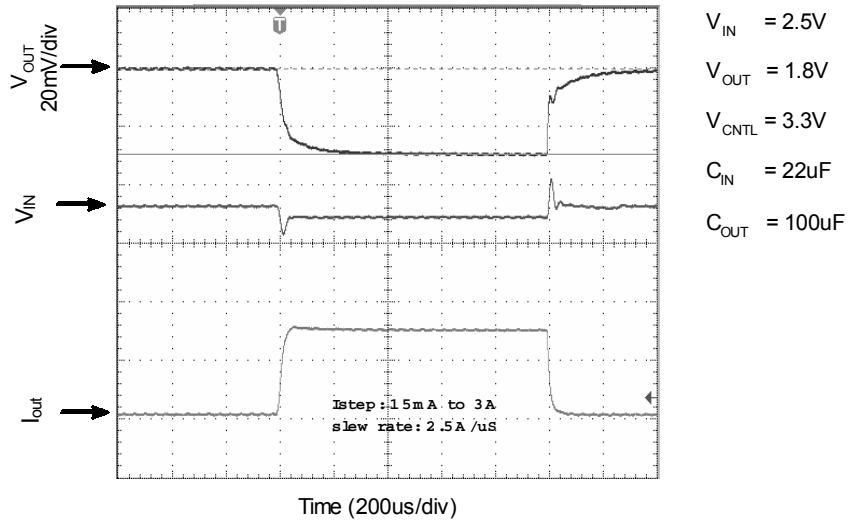
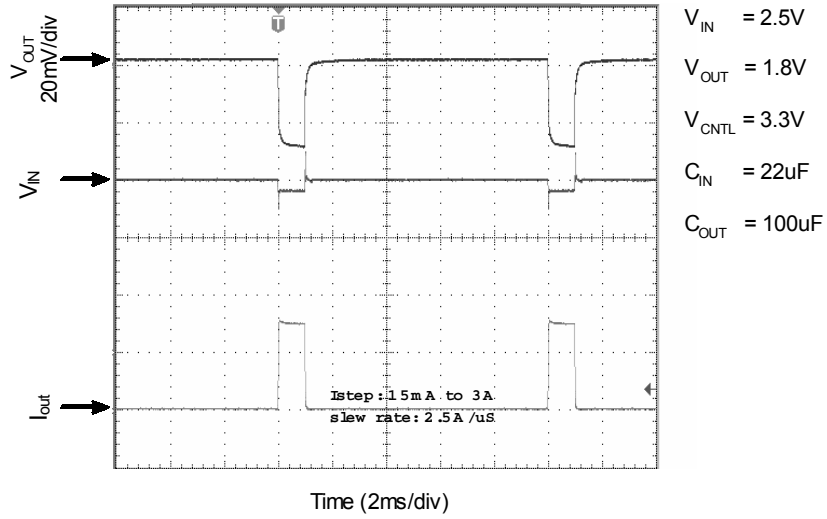

**Figure 2**

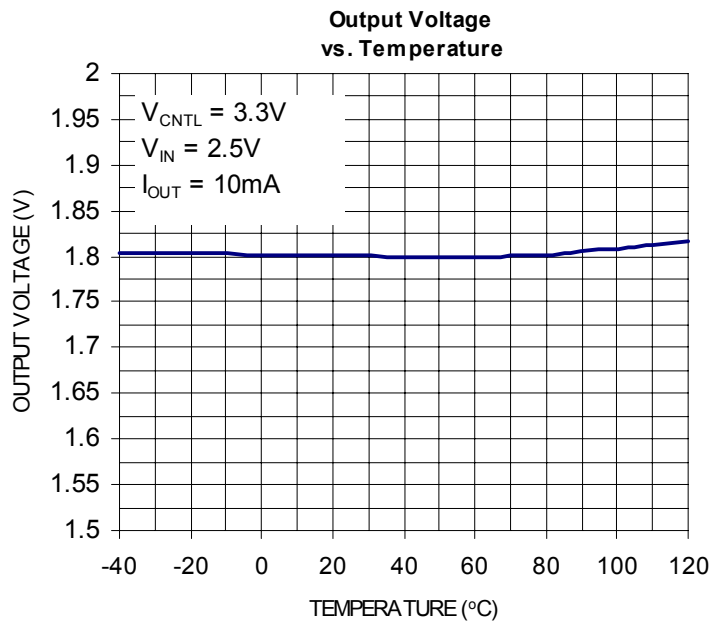
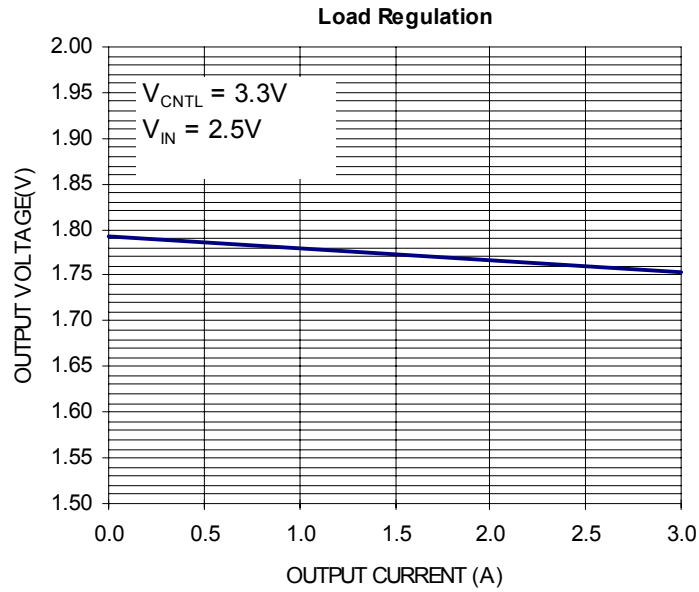
The circuit in Figure 2 shows a typical application of 2.5V to 1.8V conversion with a 3.3V control supply and the load range of up to 3A steady state. Considering the approximate 2W power being dissipated by the pass element of the SC1592, we are still able to choose an SO-8 EDP package with  $T_{JA} = 36.5^\circ\text{C/W}$  mount on the 1sq.in. copper pad allocated for adequate heat transfer.

The ambient temperature in this case should not exceed 50 $^\circ\text{C}$ . If this temperature range is too restrictive, then the DPAK can be utilized, having  $T_{JA} = 29^\circ\text{C/W}$  mount on the same size copper pad.

**Input capacitor:** A minimum of 10 $\mu$ F ceramic capacitor is recommended to be placed directly next to the Vin pin. This allows for the device being some distance from any bulk capacitance on the rail. Additionally, bulk capacitance may be added closely to the input supply pin of the SC1592 to ensure that Vin does not sag, improving load transient response.

**Output capacitor:** A minimum bulk capacitance of 33 $\mu$ F, along with a 0.1 $\mu$ F ceramic decoupling capacitor is recommended. Increasing the bulk capacitance will improve the overall transient response. The use of multiple lower value ceramic capacitors in parallel to achieve the desired bulk capacitance will not cause stability issues. Although designed for use with ceramic output capacitors, the SC1592 is extremely tolerant of output capacitor ESR values and thus will also work comfortably with tantalum output capacitors.

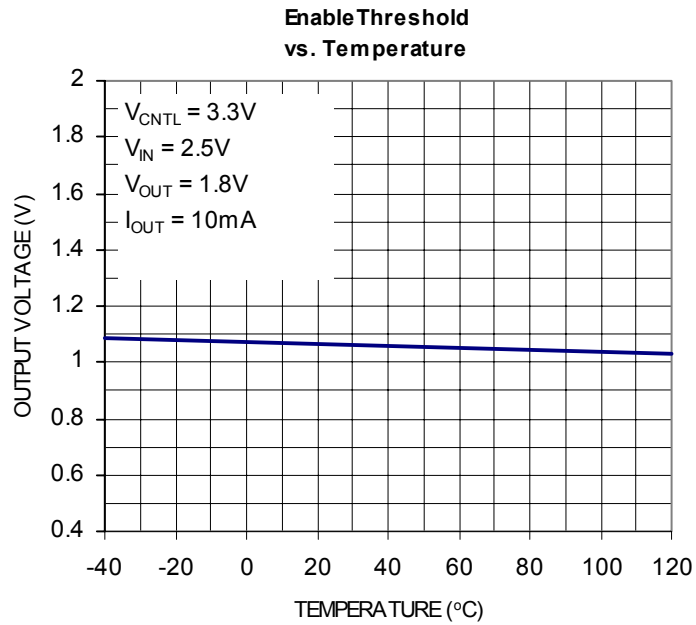
**Load Transient Response**


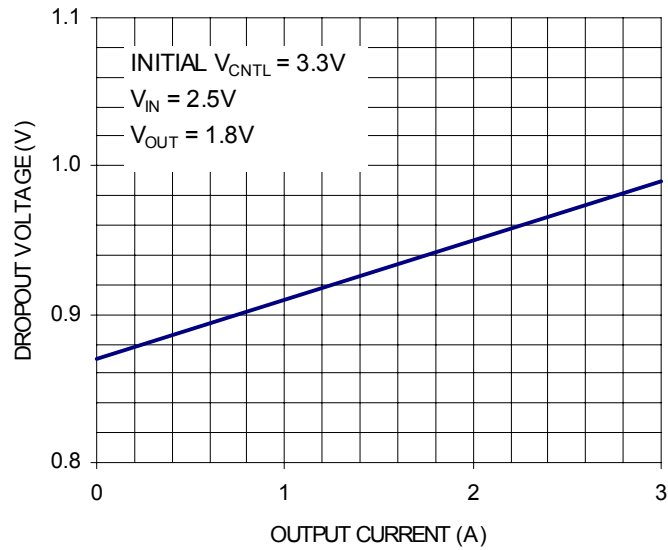
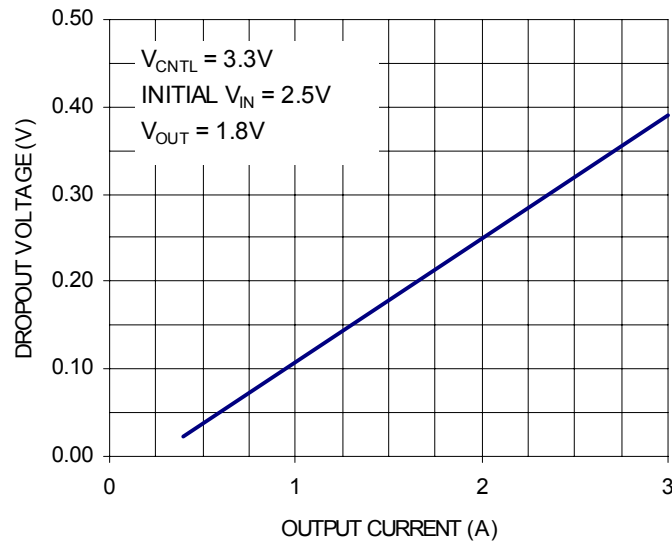
**POWER MANAGEMENT**
**Typical Characteristics (Cont.)**


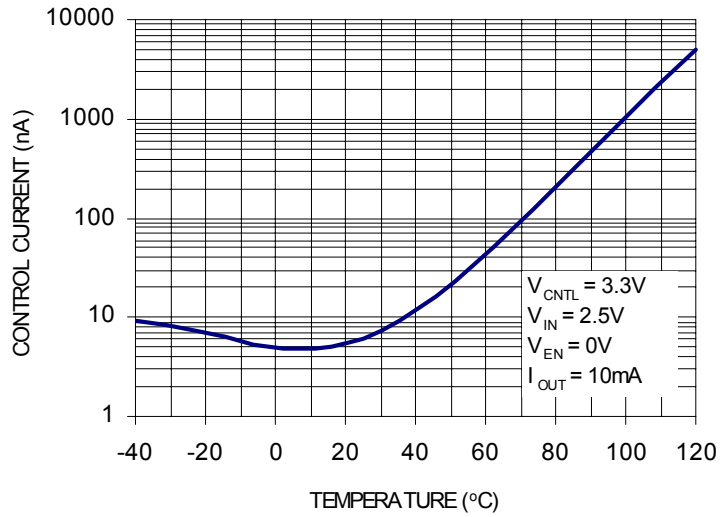
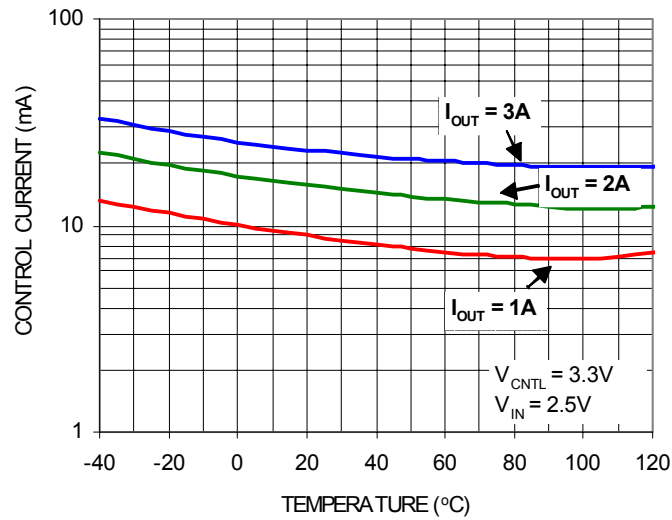


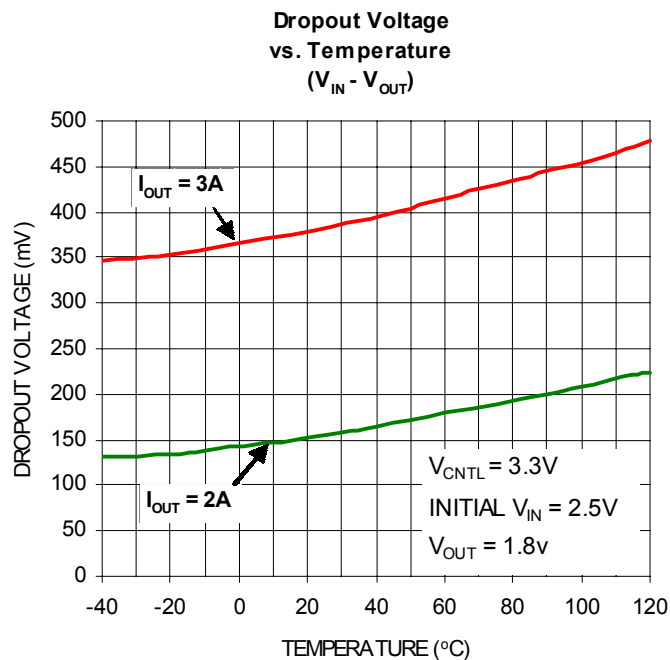
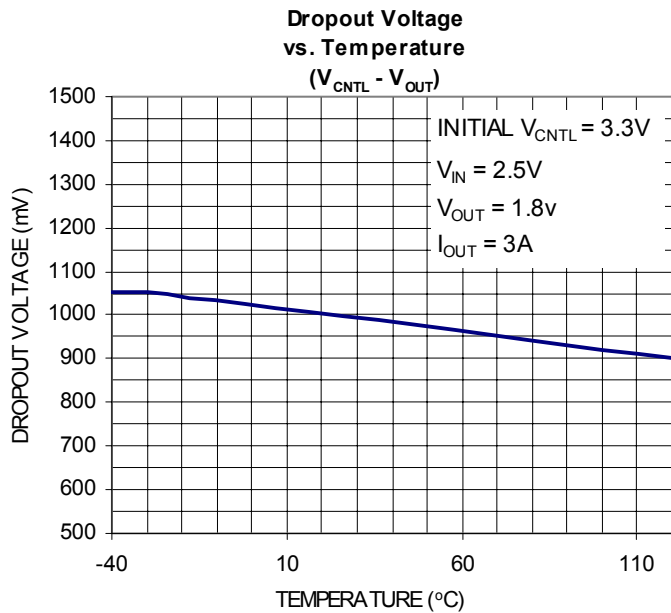
## POWER MANAGEMENT

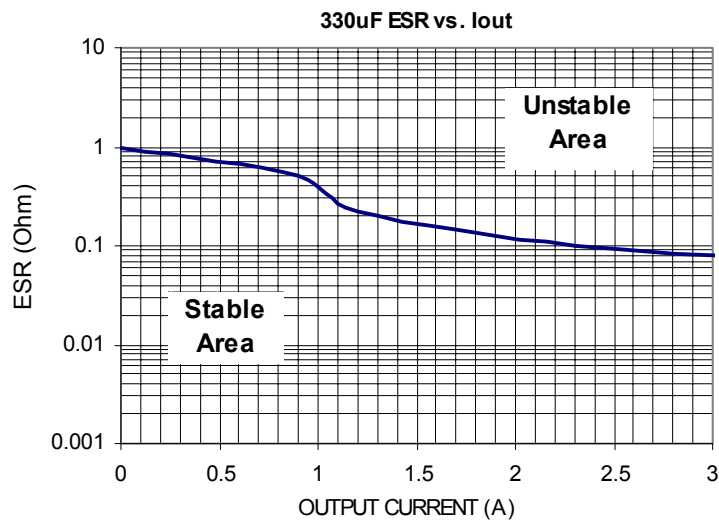
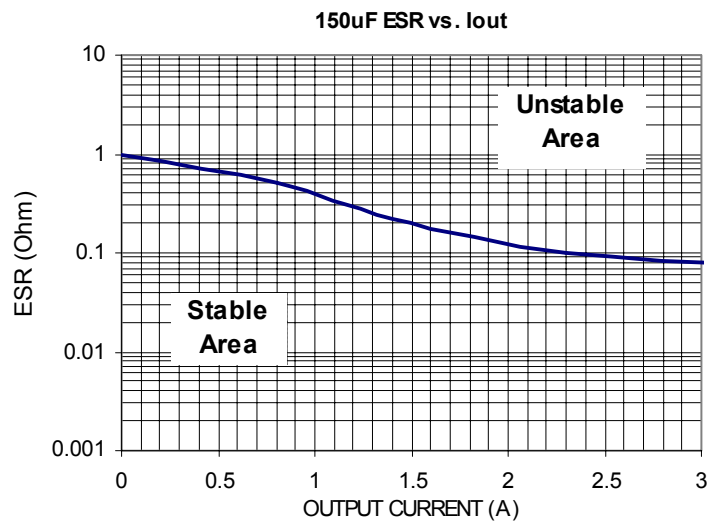
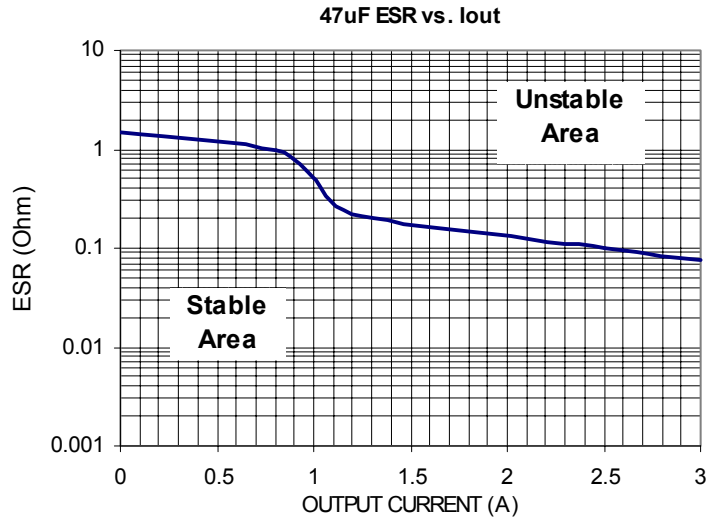
## Typical Characteristics (Cont.)



**POWER MANAGEMENT**
**Typical Characteristics (Cont.)**
**Dropout Voltage  
(Control Supply)**

**Dropout Voltage  
(Input Supply)**


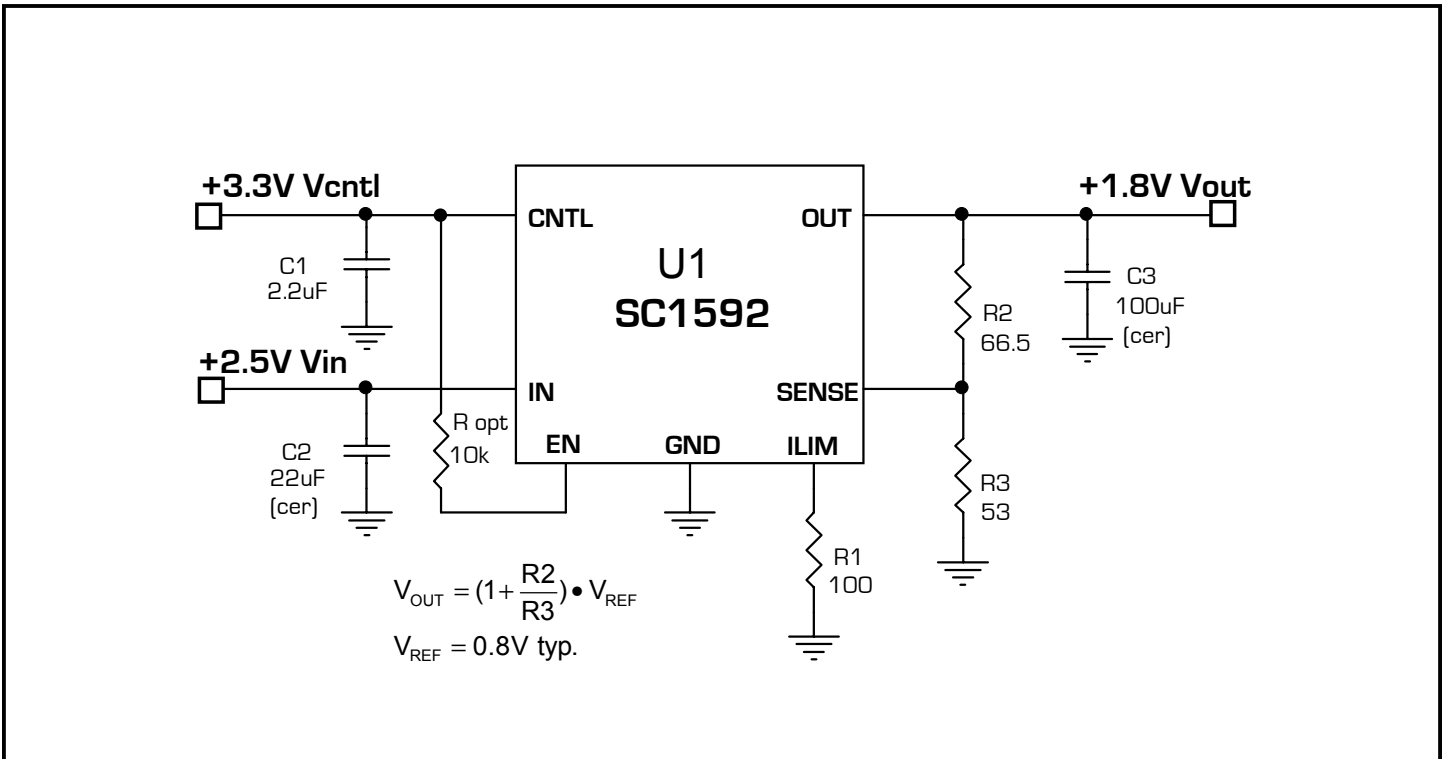
**POWER MANAGEMENT**
**Typical Characteristics (Cont.)**
**Control Current vs. Temperature (In Shutdown)**

**Control Current vs. Temperature (In Regulation)**


**POWER MANAGEMENT**
**Typical Characteristics (Cont.)**


**POWER MANAGEMENT**
**Typical Characteristics (Cont.)**


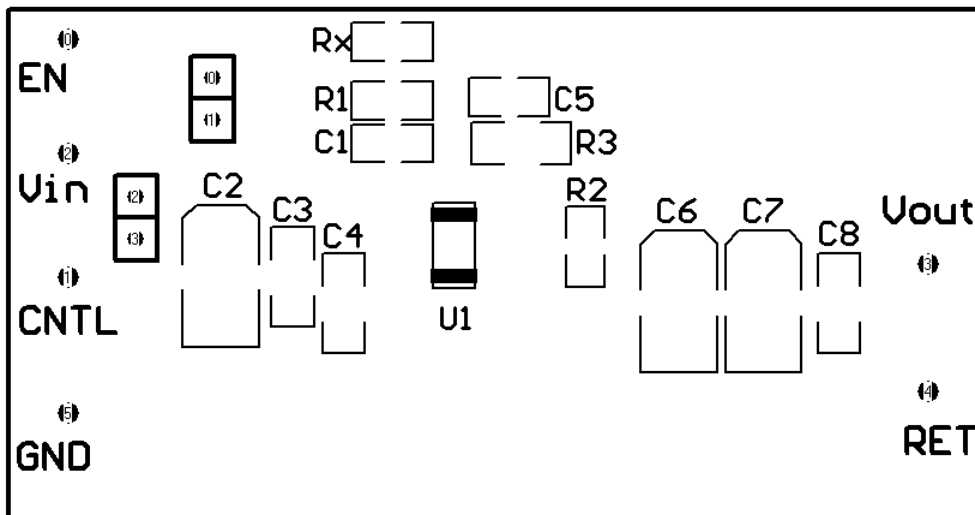
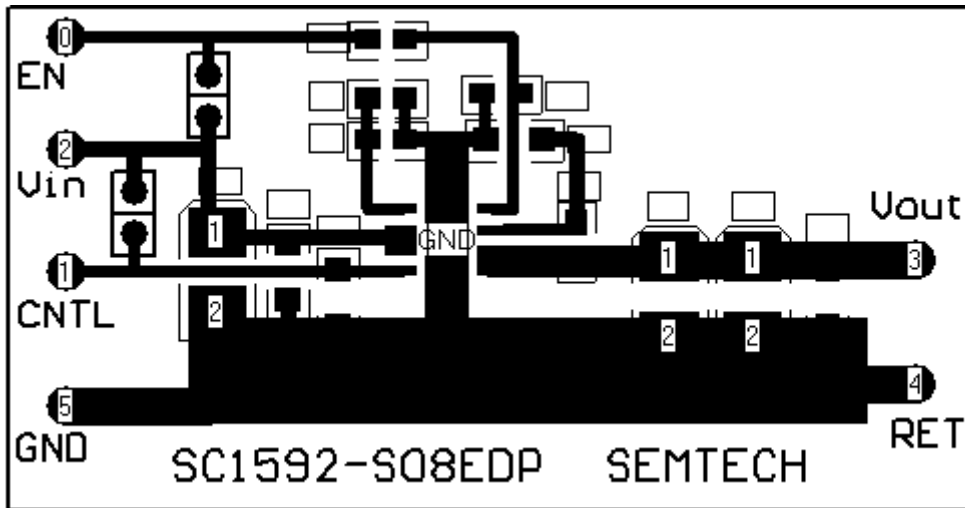
**POWER MANAGEMENT**

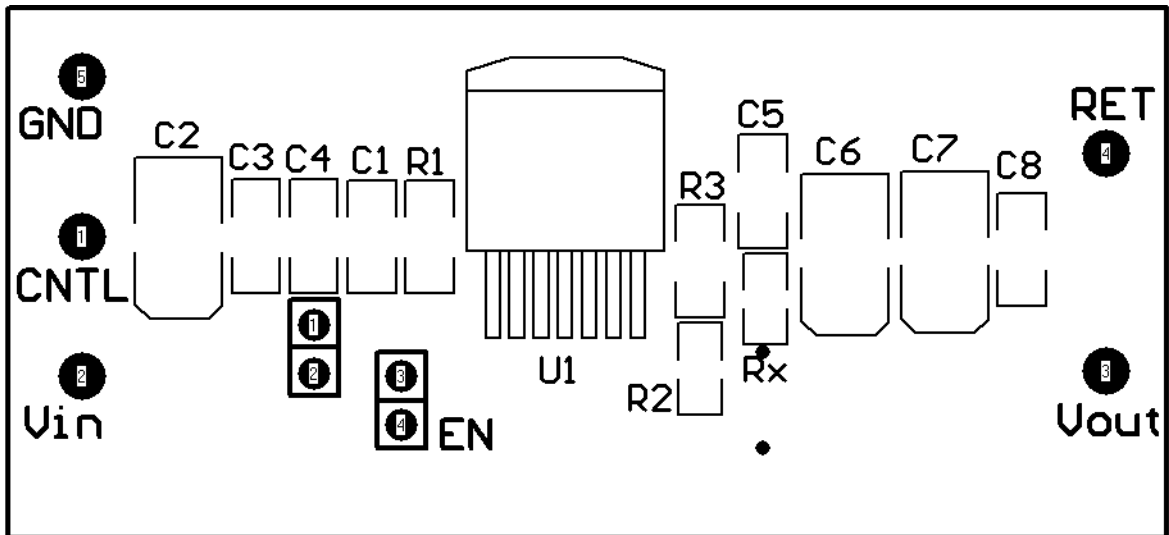
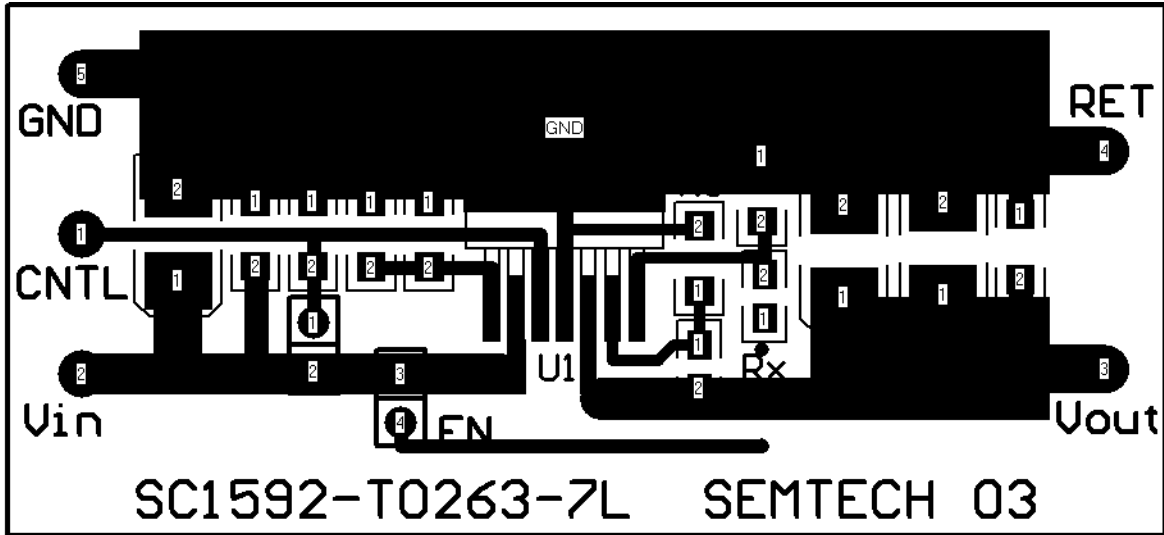
**Evaluation Board Schematic**



**Evaluation Board Schematic - Bill of Material**

| Ref | Qty | Reference | Part Number/Value          | Manufacturer      |
|-----|-----|-----------|----------------------------|-------------------|
| 1   | 1   | C1        | 2.2uF, 16V, Ceramic, 1206  | Murata or similar |
| 2   | 1   | C2        | 22uF, 10V, Ceramic, 1210   | Murata or similar |
| 3   | 1   | C3        | 100uF, 6.3V, Ceramic, 1812 | Murata or similar |
| 4   | 1   | R1        | 100, ±5%, 0805             | Any               |
| 5   | 1   | R2        | 66.5, ±0.5%, 0805          | Any               |
| 6   | 1   | R3        | 53, ±0.5%, 0805            | Any               |
| 7   | 1   | Ropt      | 10K, ±10%, 0805            | Any               |
| 8   | 1   | U1        | SC1592                     | Semtech Corp.     |

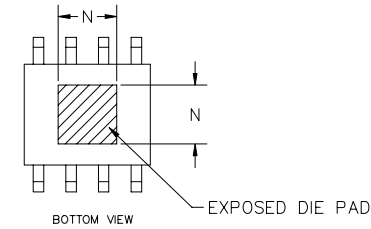
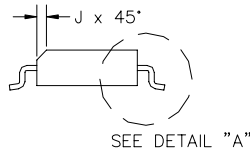
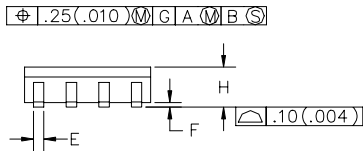
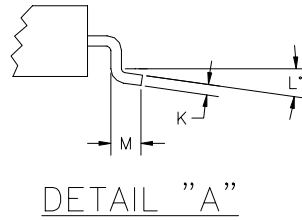
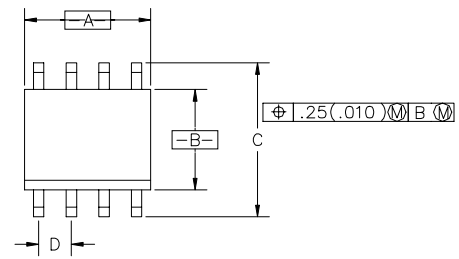
**POWER MANAGEMENT**
**Evaluation Board - SOIC-8 EDP**


**POWER MANAGEMENT**
**Evaluation Board - TO-263-7L (DDPAK)**




**POWER MANAGEMENT**

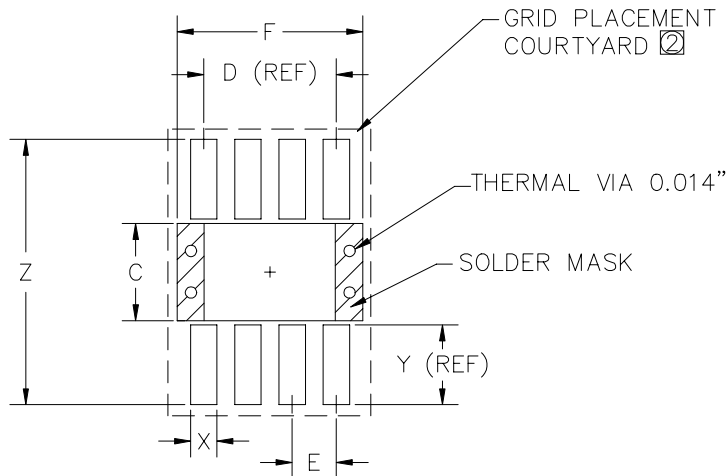
**Outline Drawing - SOIC-8L EDP**



| DIM <sup>N</sup> | INCHES |      | MM   |      | NOTE |
|------------------|--------|------|------|------|------|
|                  | MIN    | MAX  | MIN  | MAX  |      |
| A                | .189   | .195 | 4.80 | 4.95 | 2    |
| B                | .152   | .157 | 3.86 | 4.00 | 3    |
| C                | .230   | .244 | 5.84 | 6.20 |      |
| D                | .050   | BSC  | 1.27 | BSC  |      |
| E                | .014   | .020 | 0.35 | 0.51 |      |
| F                | .001   | .005 | .025 | .127 |      |
| H                | .056   | .066 | 1.42 | 1.68 |      |
| J                | .010   | .016 | 0.25 | 0.41 |      |
| K                | .007   | .010 | 0.19 | 0.25 |      |
| L                | 0°     | 8°   | 0°   | 8°   |      |
| M                | .016   | .035 | 0.41 | 0.89 |      |
| N                | .086   | .094 | 2.19 | 2.39 | 4    |

- ② END USER SHOULD VERIFY ACTUAL SIZE OF EXPOSED THERMAL DIE PAD FOR SPECIFIC DEVICE APPLICATION.
- ③ DIMENSION "B" DOES NOT INCLUDE INTER-LEAD FLASH OR PROTUSIONS. INTER-LEAD FLASH AND PROTUSIONS SHALL NOT EXCEED .25 mm (.010") PER SIDE.
- ④ DIMENSION "A" DOES NOT INCLUDE MOLD FLASH, PROTUSIONS OR GATE BURRS. MOLD FLASH, PROTUSIONS AND GATE BURRS SHALL NOT EXCEED .15 mm (.010") PER SIDE.
- ① CONTROLLING DIMENSION : MILLIMETER

**Land Pattern - SOIC-8L EDP**

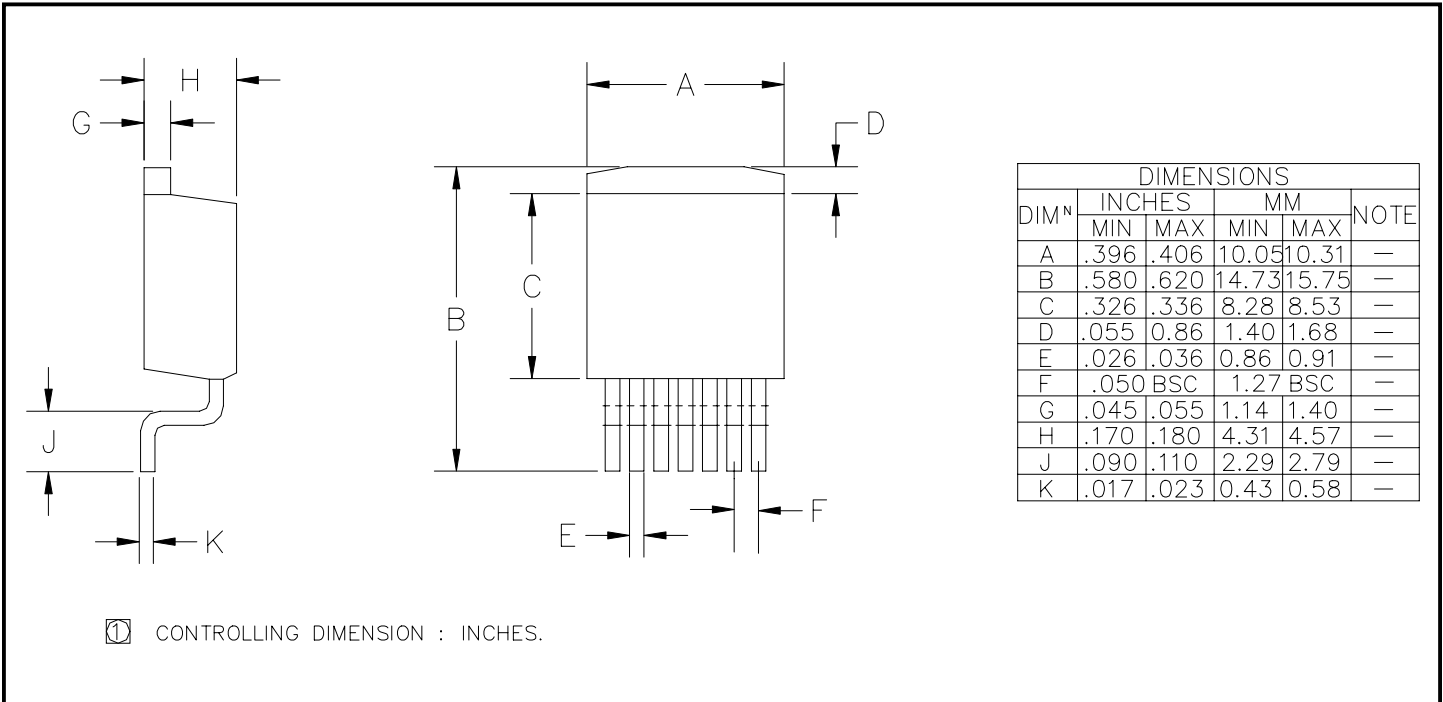


| DIM <sup>N</sup> | INCHES |      | MM   |      | NOTE |
|------------------|--------|------|------|------|------|
|                  | MIN    | MAX  | MIN  | MAX  |      |
| C                | .095   | .100 | 2.41 | 2.54 | —    |
| D                | —      | .150 | —    | 3.81 | REF  |
| E                | —      | .050 | —    | 1.27 | BSC  |
| F                | .200   | .210 | 5.08 | 5.33 | —    |
| X                | .025   | .030 | 0.64 | 0.80 | —    |
| Y                | .070   | .075 | 1.78 | 1.91 | REF  |
| Z                | .310   | .320 | 7.87 | 8.13 | —    |

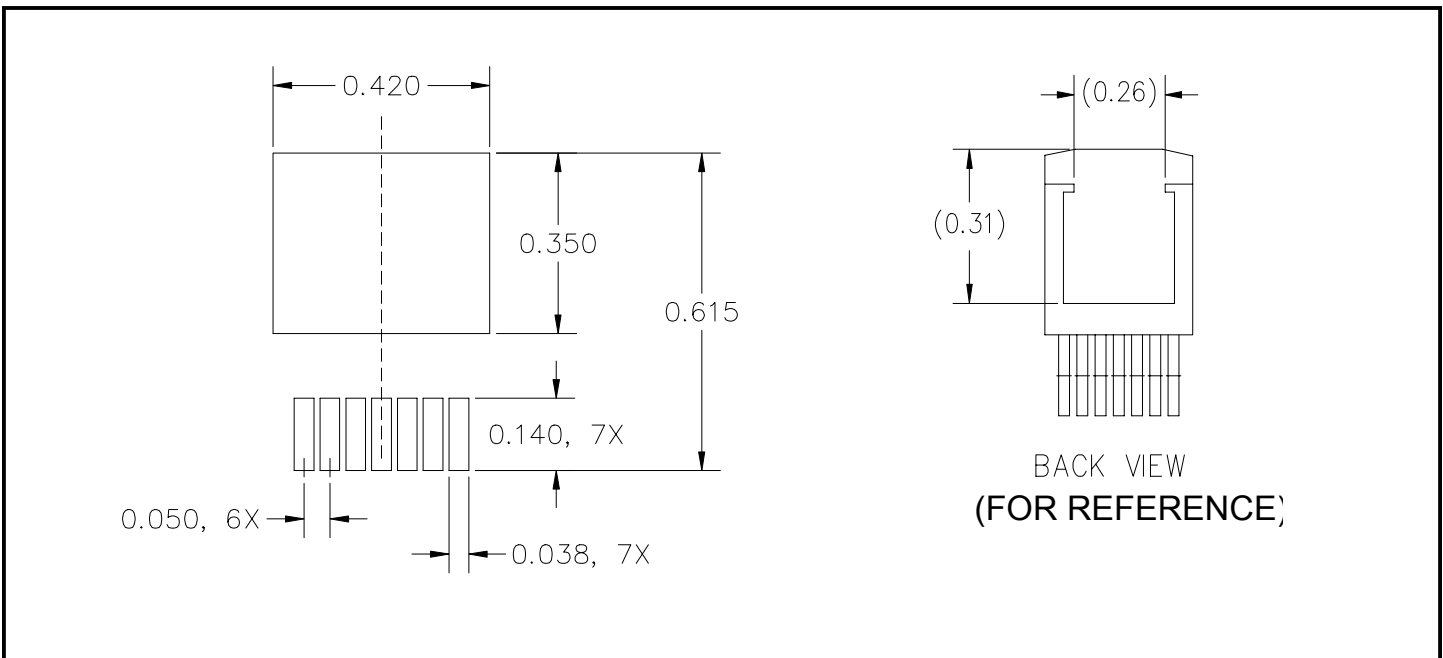
- ② GRID PLACEMENT COURTYARD IS 12 X 16 ELEMENTS (6mm X 8mm) IN ACCORDANCE WITH THE INTERNATIONAL GRID DETAILED IN THE IEC PUBLICATION 97.
- ① CONTROLLING DIMENSIONS: MILLIMETERS.

**POWER MANAGEMENT**

**Outline Drawing - TO-263-7L (DDPAK)**



**Recommended Land Pattern - TO-263-7L (DDPAK)**



**Contact Information**

Semtech Corporation  
 Power Management Products Division  
 200 Flynn Road, Camarillo, CA 93012  
 Phone: (805)498-2111 FAX (805)498-3804