

## ■ General Description

The AME4311 is a low voltage version of the industry standard 431 shunt regulator. The AME4311 reference is set to 1.24 volts. The output voltage can be set to any value between 1.24V and 8V with two external resistors. (For factory set internal feedback resistors see the AME4312.) When used with an optocoupler these devices are ideal for isolated 3.3V switching supplies.

Analogue Microelectronics offers this part in a TO-92 package as well as the space saving SOT-23 and SOT-25 packages.

For isolated switching power supplies requiring voltages lower than 2.7V see the AME4315.

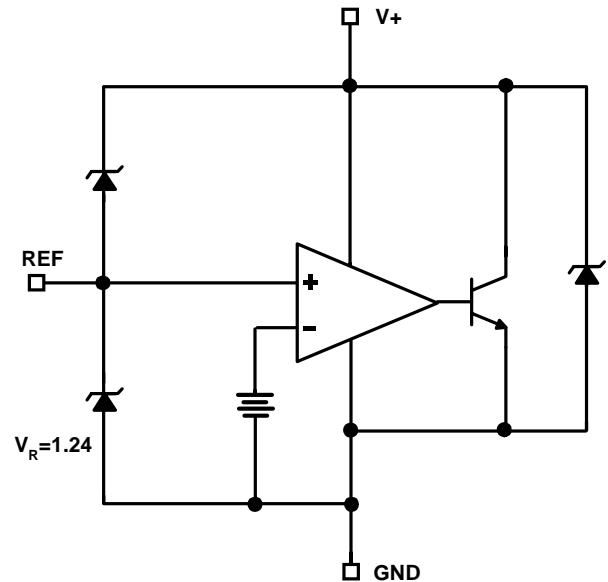
## ■ Features

- Small packages: SOT-23, SOT-25, TO-92
- Low voltage operation, 1.24V
- Tight voltage tolerance ---  $\pm 0.5\%$ ,  $\pm 1.0\%$ ,  $\pm 1.5\%$
- Wide operating current -----  $80\mu\text{A}$  to  $15\text{mA}$
- Wide temperature range -----  $-40^\circ\text{C}$  to  $+85^\circ\text{C}$
- Low temperature coefficient -- $100\text{ppm}/^\circ\text{C}_{(\text{max})}$
- Excellent transient response

## ■ Applications

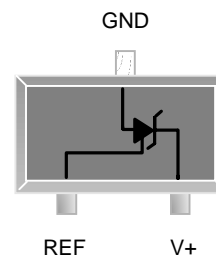
- Battery Operating Equipments
- Adjustable Supplies
- Switching Power Supplies
- Error Amplifiers
- Single Supply Amplifier
- Monitors / VCR / TV
- Personal Computers

## ■ Functional Block Diagram

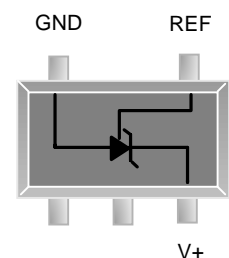


## ■ Pin Configuration

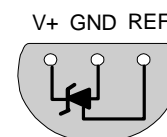
**SOT-23  
Top View**



**SOT-25  
Top View**



**TO-92  
Top View**





■ Ordering Information

Part Number	Marking	Output Voltage	Tolerance	Package	Temp. Range
AME4311EEAT	AME 4311 EEAT yyww	1.24	0.5%	TO-92	- 40°C to + 85°C
AME4311EEET	AVVww	1.24	0.5%	SOT-23	- 40°C to + 85°C
AME4311FEET	AVWww	1.24	1.0%	SOT-23	- 40°C to + 85°C
AME4311GEET	AVXww	1.24	1.5%	SOT-23	- 40°C to + 85°C
AME4311EEEEV	AGFww	1.24	0.5%	SOT-25	- 40°C to + 85°C

Please consult AME sales office or authorized Rep./Distributor for other voltage accuracy and package type availability.



■ Absolute Maximum Ratings

Parameter	Maximum	Unit
Supply Current	20	mA

Caution: Stress above the listed absolute maximum rating may cause permanent damage to the device

■ Recommended Operating Conditions

Parameter	Rating	Unit
Supply Current	100 $\mu$ A ~ 15mA	
Ambient Temperature Range	-40 to +85	$^{\circ}$ C
Junction Temperature	-40 to +125	$^{\circ}$ C

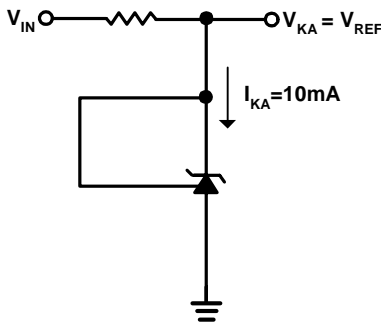
■ Thermal Information

Parameter		Maximum	Unit
Thermal Resistance	SOT-23	325	$^{\circ}$ C / W
	SOT-25	325	
	TO-92	180	
Maximum Junction Temperature		150	$^{\circ}$ C
Maximum Lead Temperature (10 Sec)		300	$^{\circ}$ C

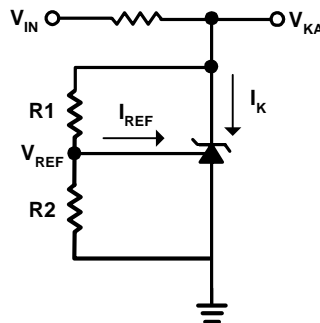
## ■ Electrical Specifications

$T_A = 25^\circ\text{C}$ ,  $I_{REF} = 10\text{mA}$  unless otherwise specified

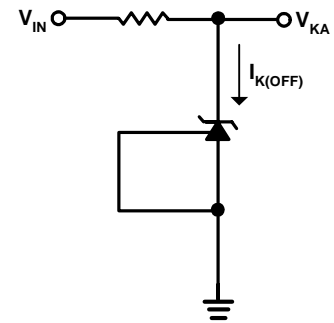
Parameter	Symbol	Test Condition	Min	Typ	Max	Units
Reference Voltage (Test Circuit 1)	$V_{REF} \text{ 0.5\%}$	$T_A = 25^\circ\text{C}$ , $I_{REF} = 10\text{mA}$	1.234	1.240	1.246	V
	$V_{REF} \text{ 1.0\%}$	$T_A = 25^\circ\text{C}$ , $I_{REF} = 10\text{mA}$	1.228	1.240	1.252	V
	$V_{REF} \text{ 1.5\%}$	$T_A = 25^\circ\text{C}$ , $I_{REF} = 10\text{mA}$	1.221	1.240	1.258	V
Ratio of Change in $V_{REF}$ to Cathode Voltage	$\frac{\Delta V_{REF}}{\Delta V_K}$	$V_{KA} = 6\text{V to } 8\text{V}$ (Test Circuit 2)	-2.7		0.3	mV/V
Reference Input Current	$I_{REF}$	Test Circuit 2			1.0	$\mu\text{A}$
Off State Leakage	$I_{K(OFF)}$	$V_{REF} = 0\text{V}$ $V_K = 7\text{V}$ (Test Circuit 3)			1000	nA
Minimum Current $I_K$	$I_{MIN}$		80			$\mu\text{A}$
Reference Voltage Temp. Coeff.	$V_{REFTC}$	$0^\circ\text{C} < T_A < 70^\circ\text{C}$		100		ppm/ $^\circ\text{C}$
Dynamic Output Impedance	$r_Z$	$V_Z = V_{REF}$ , $I_Z = 0.1\text{mA to } 15\text{mA}$ , Frequency = OHZ		0.3	0.4	$\Omega$



Test Circuit 1



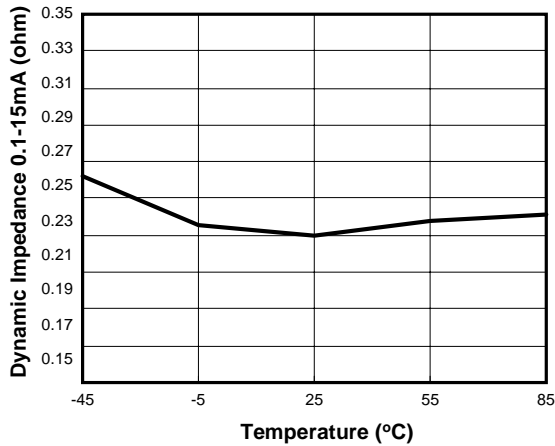
Test Circuit 2



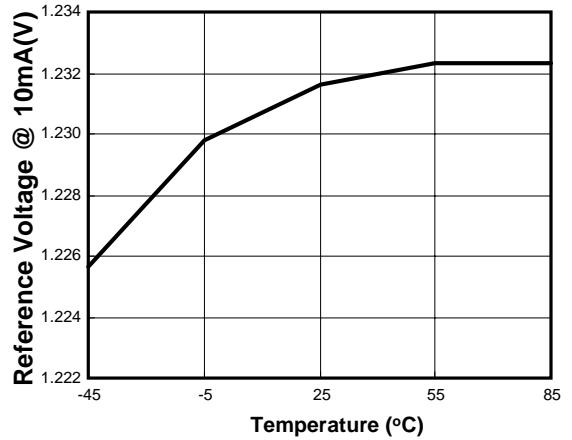
Test Circuit 3



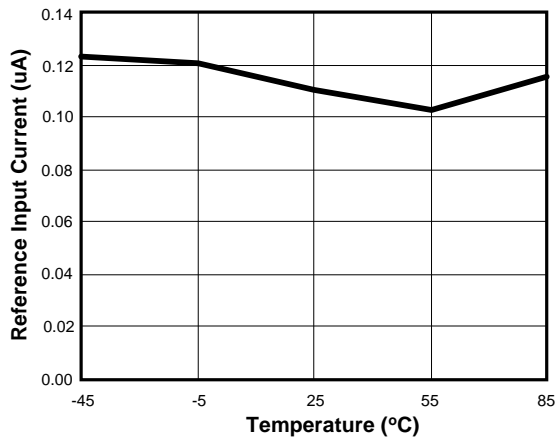
Dynamic Impedance vs. Temperature



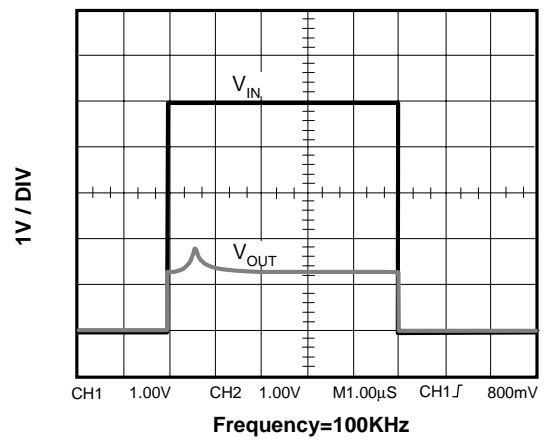
Reference Voltage vs. Temperature



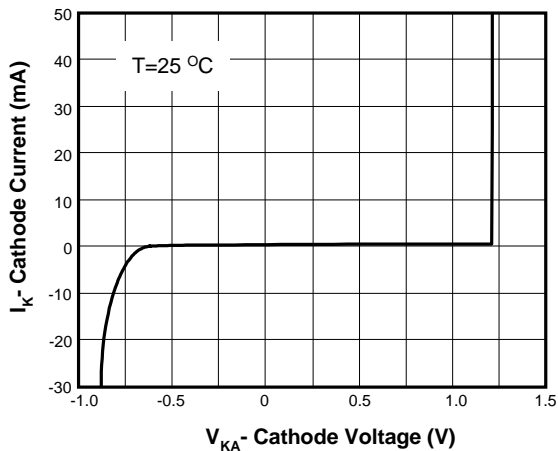
Reference Input Current vs. Temperature



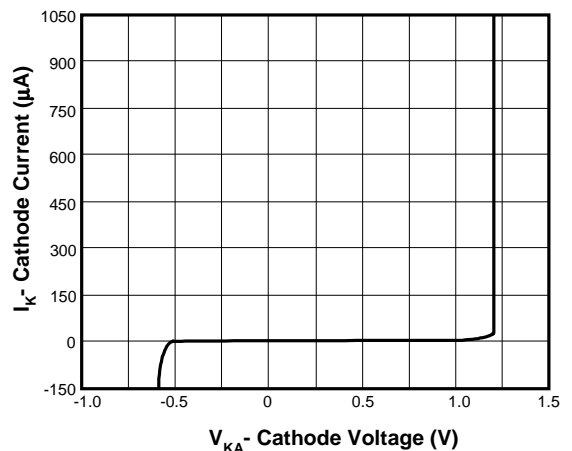
Line Transient Response,  $I_K=10\text{mA}$

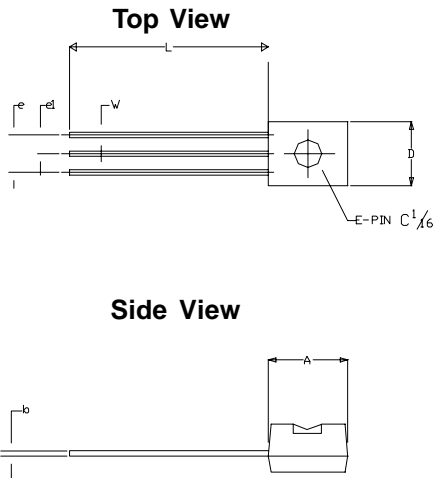


High Current Operating Characteristics



Low Current Operating Characteristics

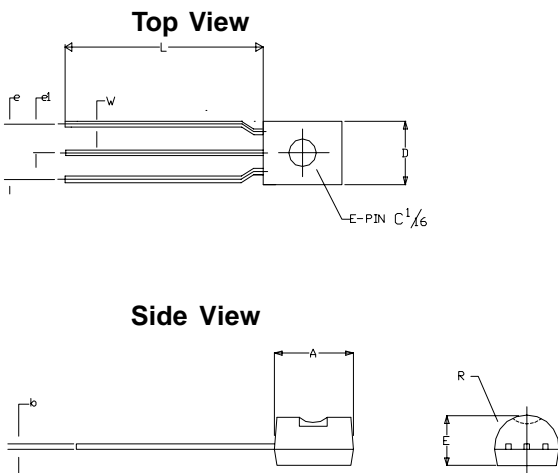


**■ Package Dimension**
**TO-92-3 (bulk pack)**


SYMBOLS	MILLIMETERS		INCHES	
	MIN	MAX	MIN	MAX
<b>A</b>	4.32	4.95	0.1701	0.1949
<b>b</b>	0.36	0.51	0.0142	0.0201
<b>E</b>	3.30	3.94	0.1299	0.1551
<b>e</b>	2.41	2.67	0.0949	0.1051
<b>e1</b>	1.14	1.40	0.0449	0.0551
<b>L</b>	12.70	15.49	0.5000	0.6098
<b>R</b>	2.16	2.41	0.0850	0.0949
<b>W</b>	0.41	0.56	0.0161	0.0220
<b>D</b>	4.45	4.95	0.1752	0.1949

**Notes:**

1. Package outline exclusive of any mold flashes dimension.
2. Package outline exclusive of burr dimension.
3. Lead pitch=2.54mm is bulk pack.
4. Lead pitch=5.08mm is tape pack.

**TO-92-3 (tape pack)**


SYMBOLS	MILLIMETERS		INCHES	
	MIN	MAX	MIN	MAX
<b>A</b>	4.32	4.95	0.1701	0.1949
<b>b</b>	0.36	0.51	0.0142	0.0201
<b>E</b>	3.30	3.94	0.1299	0.1551
<b>e</b>	4.98	5.08	0.1961	0.2000
<b>e1</b>	2.49	2.54	0.0980	0.1000
<b>L</b>	12.70	15.49	0.5000	0.6098
<b>R</b>	2.16	2.41	0.0850	0.0949
<b>W</b>	0.41	0.56	0.0161	0.0220
<b>D</b>	4.45	4.95	0.1752	0.1949

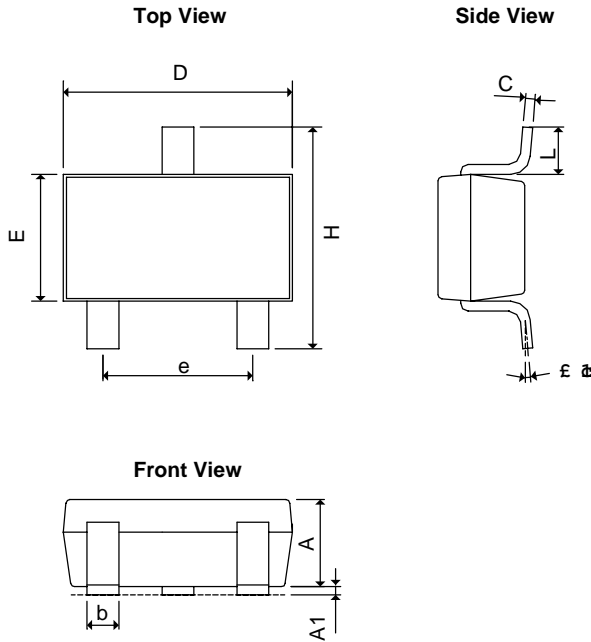
**Notes:**

1. Package outline exclusive of any mold flashes.
2. Package outline exclusive of burr dimension.
3. Lead pitch=2.54mm is bulk pack.
4. Lead pitch=5.08mm is tape pack.



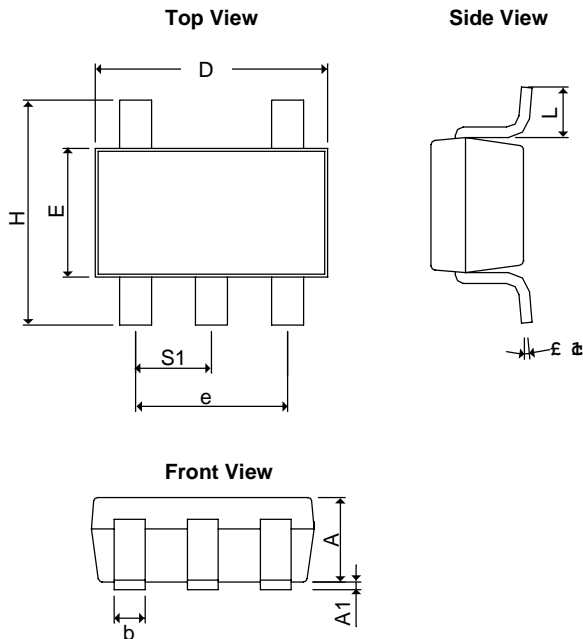
■ Package Dimension

SOT-23



SYMBOLS	MILLIMETERS		INCHES	
	MIN	MAX	MIN	MAX
A	1.00	1.40	0.0394	0.0551
A <sub>1</sub>	0.00	0.15	0.0000	0.0059
b	0.35	0.50	0.0138	0.0197
C	0.09	0.25	0.0035	0.0098
D	2.70	3.10	0.1063	0.1220
E	1.40	1.80	0.0551	0.0709
e	1.90 BSC		0.0748 BSC	
H	2.40	3.00	0.09449	0.11811
L	0.35BSC		0.0138BSC	
θ <sub>1</sub>	0°	10°	0°	10°

SOT-25



SYMBOLS	MILLIMETERS		INCHES	
	MIN	MAX	MIN	MAX
A	1.20REF		0.0472REF	
A <sub>1</sub>	0.00	0.15	0.0000	0.0059
b	0.30	0.55	0.0118	0.0217
D	2.70	3.10	0.1063	0.1220
E	1.40	1.80	0.0551	0.0709
e	1.90 BSC		0.07480 BSC	
H	2.60	3.00	0.10236	0.11811
L	0.37BSC		0.0146BSC	
θ <sub>1</sub>	0°	10°	0°	10°
S <sub>1</sub>	0.95BSC		0.0374BSC	



**www.ame.com.tw**  
**E-Mail: sales@ame.com.tw**

Life Support Policy:

These products of AME, Inc. are not authorized for use as critical components in life-support devices or systems, without the express written approval of the president of AME, Inc.

AME, Inc. reserves the right to make changes in the circuitry and specifications of its devices and advises its customers to obtain the latest version of relevant information.

© AME, Inc. , December 2003

Document: 2012-DS4311-A

**Corporate Headquarter**  
**AME, Inc.**

2F, 189 Kang-Chien Road, Nei-Hu District  
Taipei 114, Taiwan, R.O.C.  
Tel: 886 2 2627-8687  
Fax: 886 2 2659-2989

**U.S.A. (Subsidiary)**  
**Analog Microelectronics, Inc.**

3100 De La Cruz Blvd., Suite 201  
Santa Clara, CA. 95054-2046  
Tel : (408) 988-2388  
Fax: (408) 988-2489